



# RNS12 • RNS20 Countertop Nugget Ice Maker & Dispenser

## Models

- RNS-12A   
  RNS-12AT   
  RNS-20A   
  RNS-20AT

Three dispense settings are standard: ice only, water only, or ice and water.



RNS20

RNS12

- **New bite-sized nugget** boasts 90% ice content\* with only 10% water offering one of the best nugget ratios for maximum cooling and minimal drink dilution.
- **Up to 261 lbs. (118 kgs) standard daily ice production** including ice and water content. True Ice production calculates just the ice produced helping end users size their machine and plan for their needs. Up to 235 lbs. (107 kgs) of True Ice daily production.
- **New DuraTech™ front panel** for easy cleaning and reduced hardwater staining in the dispense area.
- **Only 16.25" (41.28 cm) wide** by 24.00" (61.00 cm) deep by 35.00" (89.00 cm) tall on the RNS12 and 42.00" (107.00 cm) tall without legs; legs sold separately.
- **Trouble-free ice dispensing.** Simply place cup under chute and activate.
- **Two ice activation options:** activation arm or touchless.
- Dispense opening (10.50"/ 26.67 cm) from grate to chute maximizes clearance for tall containers.
- Larger drain pan minimizes ice spillage.
- Blue LED light provides dispense visibility for rooms with limited ambient light.
- Water and drain connections in back or bottom of unit for flush mounting.
- Manitowoc's patented cleaning technology manages the cleaning process from start to finish.

\*70/50° F



## Ice Machine Electric

115/60/1. (230/50/1 also available.) 115/60/1 ice machines are factory pre-wired with a 6' (180 cm) power cord and NEMA 5-15P-plug configuration. 230/50/1 ice machines are factory pre-wired with a 6' (180 cm) power cord only, no plug is supplied. Total ampacity: Air-cooled: 10.3 amps. Maximum fuse size: Air-cooled: 15 amps. HACR-type circuit breakers can be used in place of fuses.

## Specifications

BTU Per Hour: 2,300 (average)  
 Compressor: Nominal rating: 1/3 HP  
 Refrigerant: R404A

Operating Limits:

- Ambient Temperature Range: 45°-110°F (7.2°-43.3°C)
- Water Temperature Range: 45°-90°F (7.2°-32°C)
- Water Pressure Ice Maker Water In: Min. 20 psi (137.9 kPa) Max. 80 psi (551.1 kPa)

## Ice Shape

Nugget ice consists of small pieces ranging from 3/8" to 1/2" in width and length on average. Offers a 90% ice to water ratio with a softer, chewable texture while still providing maximum cooling effect and great dispensibility.





RNS12 • RNS20 Countertop Nugget Ice Maker & Dispenser

Model	Ice Shape	Ice Production 24 Hours				Power kWh/ 100 lbs. @ 90°/70°F 32°/21°C
		70° Air/50°F Water 21° Air/10°C Water		90° Air/70°F Water 32° Air/21°C Water		
		Standard	True Ice	Standard	True Ice	
RNS12A	nugget	261 lbs.	235 lbs.	185 lbs.	167 lbs.	8.69
		118 kgs	107 kgs	84 kgs	76 kgs	
RNS20A	nugget	261 lbs.	235 lbs.	185 lbs.	167 lbs.	8.69
		118 kgs	107 kgs	84 kgs	76 kgs	

Water usage/100 lbs./45.4 kgs of ice

Potable Water: 12 gallons, 45.4 liters

\*"A" following model number indicates "Air" condensing unit.

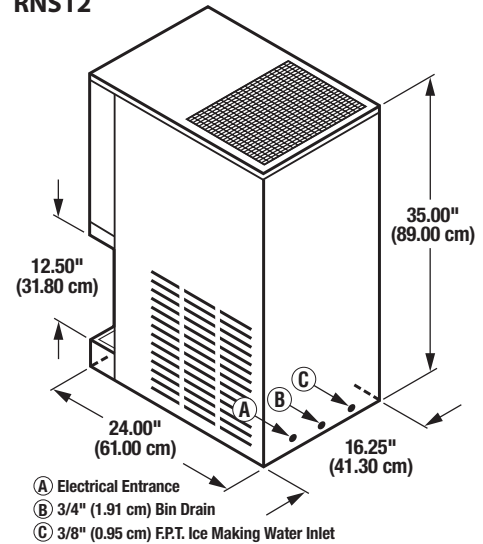
### Space-Saving Designs



	RNS12	RNS20
Height*	35.00" 89.00 cm	42.00" 107.00 cm
Width	16.25" 41.30 cm	16.25" 41.30 cm
Depth	24.00" 61.00 cm	24.00" 61.00 cm
Bin Storage	12 lbs. 5.5 kgs	20 lbs. 9.1 kgs

\*Height without legs. Legs sold separately: K-00345.

### RNS12



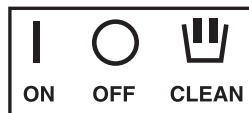
**MINIMUM INSTALLATION CLEARANCE -**  
Top: 24" (60.96 cm); Sides: 8" (20.32 cm); Back: 5" (12.7 cm);  
Bottom: 0" (0 cm).



### Air Flow Front View

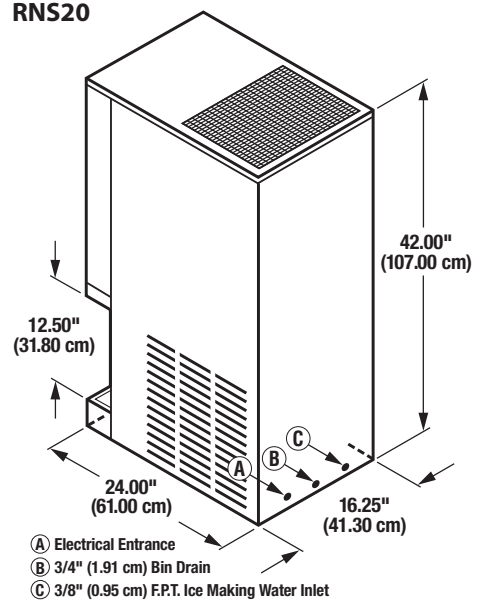
Air in right, air out top.

### Front Access



Initiate ice, off and clean operations with simple upfront selector switch. No need to remove front panel.

### RNS20



**MINIMUM INSTALLATION CLEARANCE -**  
Top: 24" (60.96 cm); Sides: 8" (20.32 cm); Back: 5" (12.7 cm);  
Bottom: 0" (0 cm).

### Lever-activated or Touchless Dispensing\*



RNS12A



RNS12AT

\*Select at time of purchase.  
K-00377 can be used to convert from lever-activated to touchless sensing.