

# SN-12 Countertop Nugget Ice Maker & Dispenser



SN-12

- Up to 325 lbs. (147 kgs.) daily ice production
- Only 16.25" (41.28 cm) wide by 24.00" (61.00 cm) deep by 35.00" (89.00 cm) tall without legs; legs sold separately
- Dimensions of nugget ice are approximately 3/10" x 3/10" x 1/2" (8 x 8 x 12 mm)
- SoftQube® nugget ice provides a softer, chewable texture while still providing maximum cooling effect
- Three dispense settings are standard: ice only, water only, or ice and water
- One-handed ice dispense. Simply place cup under chute and activate
- Two ice activation options: activation arm or touchless
- Dispense opening (10.50"/26.67 cm) from grate to chute maximizes clearance for tall containers
- Larger drain pan minimizes ice spillage
- Blue LED light provides dispense visibility for rooms with limited ambient light
- Water and drain connections in back or bottom of unit for flush mounting
- Manitowoc's patented cleaning technology manages the cleaning process from start to finish
- Warranty  
2-year parts and labor coverage on all components. Additional 3-year (5-year total) parts coverage on ice machine compressor



ISO 9001:2000  
Quality System Certified

**America's #1 Selling Ice Machine**

Ice Cube & Flake Machines • Ice Storage Bins • Ice Dispensers

**Manitowoc**

# SN-12 Countertop Nugget Ice Maker & Dispenser

## Space-Saving Designs



	SN-12
Height*	35.00"
	89.00 cm
Width	16.25"
	41.30 cm
Depth	24.00"
	61.00 cm
Bin Storage	12 lbs.
	5.5 kgs.

\* Height without legs. Legs sold separately: K-00345.

Model	Ice Shape	Ice Production 24 Hours				Power kWh/100 lbs. @ 90°/70°F
		70°Air/50°F Water		90°Air/70°F Water		
		lbs.	kgs.	lbs.	kgs.	
SN-12A	nugget	325	148	253	115	7.11
Water usage/100 lbs./45.4 kgs. of Ice						
Potable Water: 12 gallons, 45.4 liters						

\*A\* following model number indicates "Air" condensing unit.  
Test conditions are 90°F/32°C air, 70°F/21°C water, and 30 ± 3 psig water inlet pressure.

## Ice Machine Electric

115/60/1. (230/50/1 also available.) 115/60/1 ice machines are factory pre-wired with a 6' (180 cm) power cord and NEMA 5-15P-plug configuration. 230/50/1 ice machines are factory pre-wired with a 6' (180 cm) power cord only, no plug is supplied.

**Total ampacity:** Air-cooled: 10.3 amps.

**Maximum fuse size:** Air-cooled: 15 amps.

HACR-type circuit breakers can be used in place of fuses.

## Specifications

**BTU Per Hour:** 2,300 (average)

**Compressor: Nominal rating:** 1/3 HP

**Refrigerant:** R404A

**Operating Limits:**

- Ambient Temperature Range: 45°-110°F (7.2°-43.3°C)

- Water Temperature Range: 45°-90°F (7.2°-32°C)

- Water Pressure Ice Maker Water In: Min. 20 psi (137.9 kPa) Max. 80 psi (551.1 kPa)

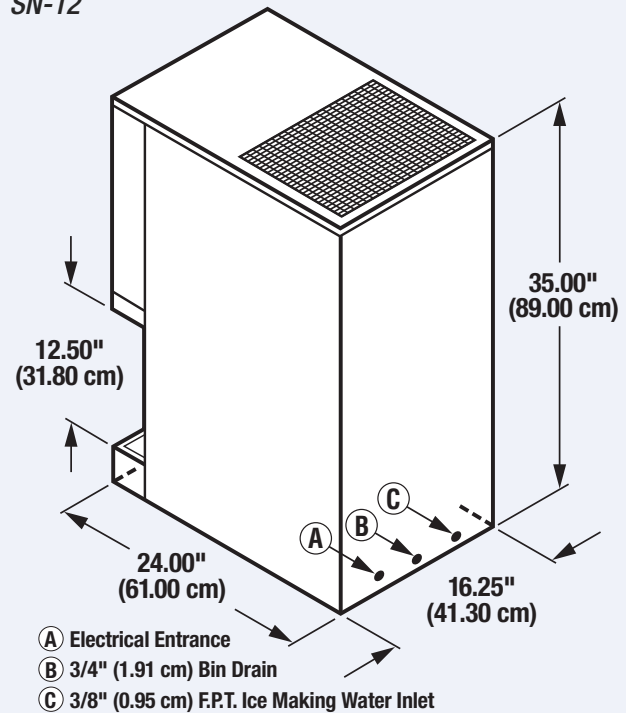
## Ice Shape

SoftQube® nugget ice is approximately 3/10" x 3/10" x 1/2" (8 x 8 x 12 mm) with a softer, chewable texture while still providing maximum cooling effect.



Look for the EnergyMizer™ mark and you'll know you're getting the most from every energy dollar spent on foodservice equipment. [www.energymizer.com](http://www.energymizer.com)

## SN-12



## Installation Note -

Minimum installation clearance— Top: 24" (60.96 cm); Sides: 8" (20.32 cm); Back: 5" (12.7 cm).

## Lever-activated or Touchless Dispensing\*



SN-12A



SN-12AT

\*Select at time of purchase.

K-00377 can be used to convert SN-12A from lever-activated to touchless sensing.

## Air Flow Front View

Air in left, air out top.



## Front Access



Initiate ice, off, and clean operations with simple upfront selector switch. No need to remove front panel.

©2008 Manitowoc ICE. Continuing product improvement may necessitate change of specifications without notice. 3407D



MANITOWOC ICE  
2110 South 26th Street, P.O. Box 1720  
Manitowoc, WI 54221-1720, USA  
Ph: 920-682-0161 • Fax: 920-683-7589  
Visit us online at [www.manitowocice.com](http://www.manitowocice.com)

