



## "140-4" Stainless Steel Enclosed Work Tables

w/ Stainless Steel Base, Panels and Undershelf  
w/ Sliding Doors

w/ 5" Riser



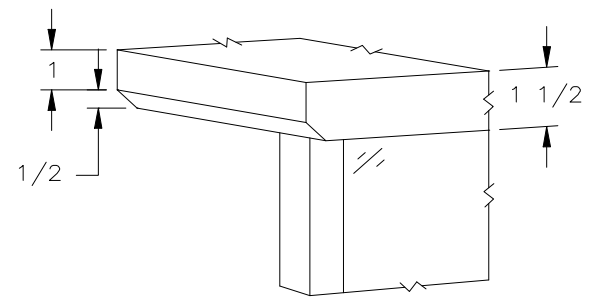
AUTOQUOTES



14 GAUGE TOP			
24"WIDE	Qty	30"WIDE	Qty
140-31		140-36	
140-32		140-37	
140-33		140-38	
140-33A		140-38A	
140-34		140-39	
140-34A		140-39A	
140-35		140-40	

### FEATURES:

- \* 14 Gauge Stainless Steel Top  
Type 300 stainless steel with # 4 polish, satin finish
- \* Top is **Sound Deadened**
- \* Reinforced with 1"x2" channel running entire length of table
- \* 1 1/2" **Stallion Edge** on front and rear with side edges 90 degree bend down for table line-up
- \* Stainless Steel Top, Cabinet and Undershelf  
Type 300 stainless steel with # 4 polish, satin finish
- \* Undershelf is secured in a fixed position, 14 7/8" above floor
- \* Adjustable bullet feet
- \* Shipped Standard Welded Set-Up
- \* Optional drawers, casters, pot racks, etc. available
- \* All models are approved by the National Sanitation Foundation and the U.S. Department of Agriculture.



STALLION  
SAFETY  
EDGE

### CONSTRUCTION:

Top: Stainless Steel Tops are TIG welded, Exposed welds are polished to match adjacent surface.

### MATERIAL:

Top: 14 gauge stainless steel  
Type 300 stainless steel with # 4 polish, satin finish

Doors: 18 gauge stainless steel  
Type 300 stainless steel with # 4 polish, satin finish

Shelf: 18 gauge type 300 stainless steel # 4 polish, satin finish  
# 4 polish, satin finish

Legs: 1 1/2" Square O.D., 16 gauge type 300 tubular stainless steel  
# 4 polish, satin finish

Panels: 22 gauge stainless steel  
Type 300 stainless steel with # 4 polish, satin finish

Feet: 1" adjustable stainless steel feet

### OPTIONAL ACCESSORIES

	MODEL #	Qty
ELECTRICAL OUTLET CUTOUT		
CASTERS		
OVERSHELVES		
POT RACK		
SINKS		
INTERMEDIATE SHELF		
S/S BUN PAN RACK		

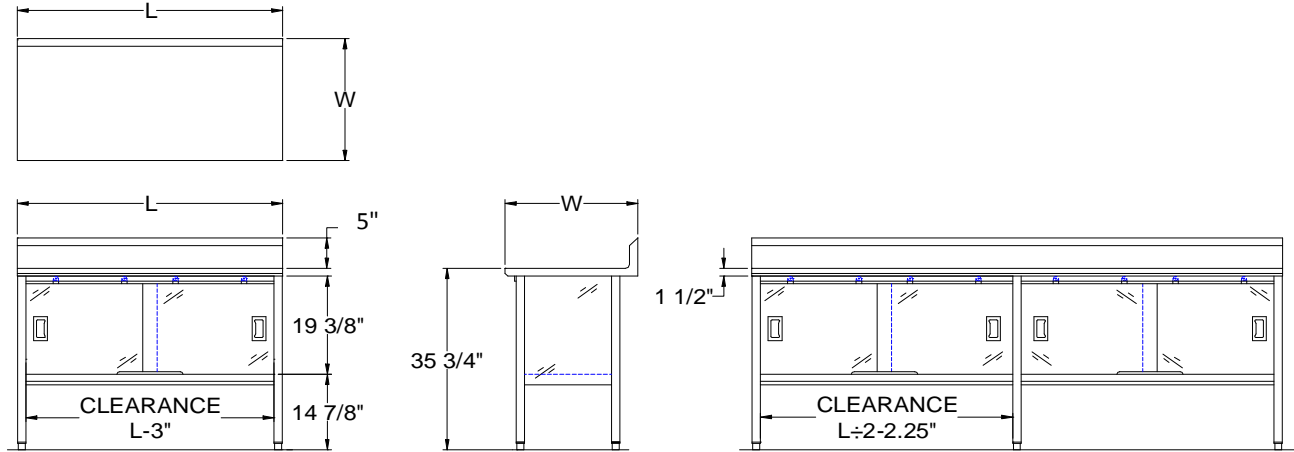
## John Boos & Co

3601 S. Banker Street - Effingham, IL 62401

Phone: 217-347-7701 - Fax: 217-347-7705

Email: sales@johnboos.com - Web-site: www. johnboos.com

# DETAILED SPECIFICATIONS



Shipped Welded Set-Up  
 Units 7 ft. and larger are furnished with six legs.  
 All dimensions are typical.  
 Tolerance +/- .500".

Finished size of undershelf.  
 Shelf length = length minus 4.875"  
 Shelf width = width minus 4.25"

## 14 GAUGE TOP

L	24" WIDE	WT.	30" WIDE	WT.
48	140-31	196	140-36	213
60	140-32	228	140-37	247
72	140-33	260	140-38	283
84	140-33A	299	140-38A	324
96	140-34	337	140-39	364
108	140-34A	370	140-39A	400
120	140-35	403	140-40	435

### John Boos & Co

3601 S. Banker Str. - Effingham, IL 62401 Phone: 217-347-7701 - Fax: 217-347-7705

Email: sales@johnboos.com - Web-site: www.johnboos.com



August 2015

John Boos is constantly engaged in a program of improving products and therefore reserves the right to change specification without prior notice