



**John
BOOS**
Since 1887

ITEM #: _____ QTY: _____
 MODEL #: _____
 PROJECT NAME: _____

062217

3601 S. Banker St. Effingham, IL 62401 • P.O. BOX 609 • Ph: (888) 431-2667 • Fax: (800) 433-2667

"3PB-2D" PRO-BOWL COMPARTMENT SINKS 16GA

3 COMPARTMENT WITH 2 DRAIN BOARD - STAINLESS STEEL BASE



FEATURES:

- STANDARD 16GA TYPE 300 STAINLESS STEEL WITH #4 POLISH, SATIN FINISH
- 12" & 14" DEEP BOWLS
- ALL CORNERS, BOTH VERTICAL AND HORIZONTAL, COVERED AT 5/8" RADIUS
- BOTTOMS OF BOWLS FORMED FOR DRAINAGE TO 3-1/2" DIAMETER DIE STAMPED OPENING
- FULL LENGTH 10" **HIGH BOXED BACKSPLASH**, WITH 2" RETURN TO WALL AT 45 DEGREE AND 3/4" TURNED DOWN REAR LIP
- 8" ON-CENTER, 1-1/8" FAUCET HOLES IN BACKSPLASH
- 1-1/8" FAUCET HOLES IN BACKSPLASH
- SOLID STAINLESS STEEL FRONT PANEL, TYPE 300 STAINLESS STEEL WITH #4 POLISH, SATIN FINISH
- ALL OUTSIDE CORNERS OF ASSEMBLY ARE BULLNOSED TO PROVIDE SAFE, CLEAN, AND POLISHED EDGE

CONSTRUCTION:

- TOP: STAINLESS STEEL SINKS ARE TIG WELDED, EXPOSED WELDS ARE POLISHED TO MATCH ADJACENT SURFACE
- BASE: STAINLESS STEEL BASES, STANDARD K.D.

MATERIAL:

- BOWLS & TOP: 16GA TYPE 300 STAINLESS STEEL WITH #4 POLISH, SATIN FINISH
- LEGS: 1-5/8" ROUND O.D. STAINLESS STEEL
- BRACING: 1-1/4" ROUND O.D. STAINLESS STEEL
- GUSSETS: STAINLESS STEEL
- FEET: 1" ADJUSTABLE STAINLESS STEEL BULLET FEET

16GA - "3PB-2D" PRO-BOWL SERIES SINK

12" DEEP	QTY	14" DEEP	QTY
3PB1618-2D18		3PB16184-2D18	
3PB1618-2D24		3PB16184-2D24	
3PB1618-2D30		3PB16184-2D30	
3PB1620-2D18		3PB16204-2D18	
3PB1620-2D24		3PB16204-2D24	
3PB1620-2D30		3PB16204-2D30	
3PB18-2D18		3PB184-2D18	
3PB18-2D24		3PB184-2D24	
3PB18-2D30		3PB184-2D30	
3PB1824-2D18		3PB18244-2D18	
3PB1824-2D24		3PB18244-2D24	
3PB1824-2D30		3PB18244-2D30	
3PB24-2D24 *		3PB244-2D24 *	
3PB24-2D30 *		3PB244-2D30 *	
3PB3024-2D30 *		3PB30244-2D30 *	
3PB3024-2D36 *		3PB30244-2D36 *	



OPTIONAL ACCESSORIES

DESCRIPTION	QTY
END SPLASHES, R, L, OR BOTH	
FAUCETS	
ADD-A-FAUCETS	
PRE-RINSE UNITS	
LEVEL WASTE	
OVERSHELVES	
POT RACK	

DETAILED SPECIFICATIONS

(12" DEEP) 16GA - "3PB-2D" PRO-BOWL SERIES SINK

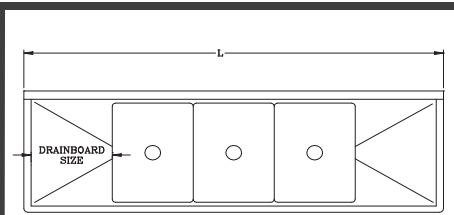
MODEL	BOWL SIZE	DIMENSIONS	DB	WT. (LBS)
3PB1618-2D18	16 X 18 X 12	87-1/4" X 23-1/2"	18"	115
3PB1618-2D24	16 X 18 X 12	99-1/4" X 23-1/2"	24"	123
3PB1618-2D30	16 X 18 X 12	111-1/4" X 23-1/2"	30"	131
3PB1620-2D18	16 X 20 X 12	87-1/4" X 25-1/2"	18"	121
3PB1620-2D24	16 X 20 X 12	99-1/4" X 25-1/2"	24"	129
3PB1620-2D30	16 X 20 X 12	111-1/4" X 25-1/2"	30"	137
3PB18-2D18	18 X 18 X 12	93-1/4" X 23-1/2"	18"	122
3PB18-2D24	18 X 18 X 12	105-1/4" X 23-1/2"	24"	130
3PB18-2D30	18 X 18 X 12	117-1/4" X 23-1/2"	30"	137
3PB1824-2D18	18 X 24 X 12	93-1/4" X 29-1/2"	18"	139
3PB1824-2D24	18 X 24 X 12	105-1/4" X 29-1/2"	24"	148
3PB1824-2D30	18 X 24 X 12	117-1/4" X 29-1/2"	30"	157
3PB24-2D24 *	24 X 24 X 12	123-1/4" X 29-1/2"	24"	171
3PB24-2D30 *	24 X 24 X 12	135-1/4" X 29-1/2"	30"	180
3PB3024-2D30 *	30 X 24 X 12	153-1/4" X 29-1/2"	30"	202
3PB3024-2D36 *	30 X 24 X 12	165-1/4" X 29-1/2"	36"	211

* WITH TWO SETS OF FAUCET HOLES 8" O/C

(14" DEEP) 16GA - "3PB-2D" PRO-BOWL SERIES SINK

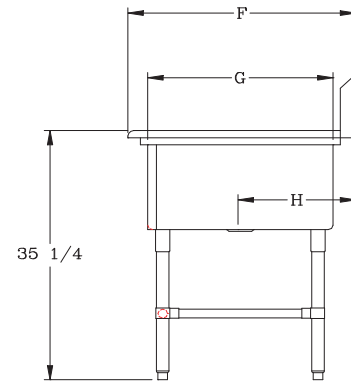
MODEL	BOWL SIZE	DIMENSIONS	DB	WT. (LBS)
3PB16184-2D18	16 X 18 X 14	87-1/4" X 23-1/2"	18"	123
3PB16184-2D24	16 X 18 X 14	99-1/4" X 23-1/2"	24"	131
3PB16184-2D30	16 X 18 X 14	111-1/4" X 23-1/2"	30"	139
3PB16204-2D18	16 X 20 X 14	87-1/4" X 25-1/2"	18"	129
3PB16204-2D24	16 X 20 X 14	99-1/4" X 25-1/2"	24"	137
3PB16204-2D30	16 X 20 X 14	111-1/4" X 25-1/2"	30"	145
3PB184-2D18	18 X 18 X 14	93-1/4" X 23-1/2"	18"	130
3PB184-2D24	18 X 18 X 14	105-1/4" X 23-1/2"	24"	138
3PB184-2D30	18 X 18 X 14	117-1/4" X 23-1/2"	30"	146
3PB18244-2D18	18 X 24 X 14	93-1/4" X 29-1/2"	18"	149
3PB18244-2D24	18 X 24 X 14	105-1/4" X 29-1/2"	24"	158
3PB18244-2D30	18 X 24 X 14	117-1/4" X 29-1/2"	30"	167
3PB244-2D24 *	24 X 24 X 14	123-1/4" X 29-1/2"	24"	182
3PB244-2D30 *	24 X 24 X 14	135-1/4" X 29-1/2"	30"	191
3PB30244-2D30 *	30 X 24 X 14	153-1/4" X 29-1/2"	30"	215
3PB30244-2D36 *	30 X 24 X 14	165-1/4" X 29-1/2"	36"	224

* WITH TWO SETS OF FAUCET HOLES 8" O/C

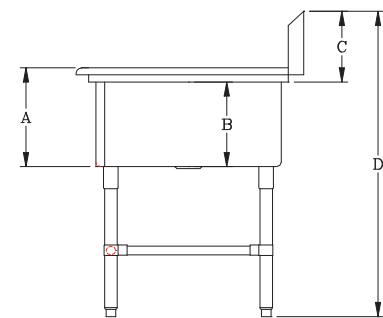


BOWLS

BOWL SIZE	F	G	H
16" X 18"	23-1/2"	18"	11-15/16"
16" X 20"	25-1/2"	20"	12-15/16"
18" X 18"	23-1/2"	18"	11-15/16"
18" X 24"	29-1/2"	24"	14-15/16"
24" X 24"	29-1/2"	24"	14-15/16"
30" X 24"	29-1/2"	24"	14-15/16"



	12" DEEP	14" DEEP
A	14"	16"
B	12"	14"
C	10"	10"
D	43"	43"



SOME UNITS SHIP UNASSEMBLED FOR REDUCED SHIPPING COST. ALL DIMENSIONS ARE TYPICAL. TOLERANCE +/- .500"

John Boos & Co. is constantly engaged in a program of improving products and therefore reserves the right to change specifications without prior notice.



3601 S. Banker St. • Effingham, IL 62401 • PO BOX 609 • quotes@johnboos.com

062217



www.johnboos.com

439