

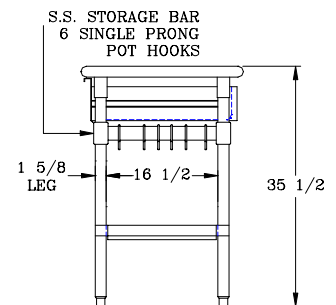
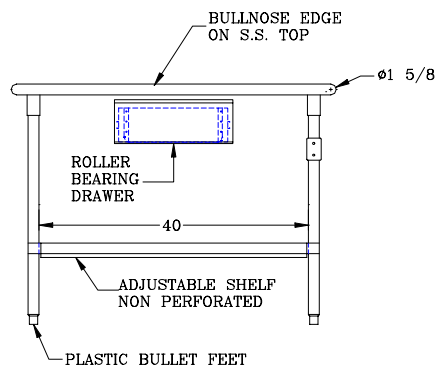
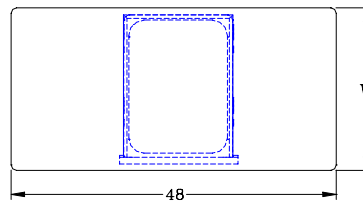
Cucina Forte



FEATURES:

- * Food Service Stainless Steel Top
- * Type 16/304 stainless steel # 3 polish, satin finish
- * Polished Bullnose Corners & Edges
- * Stainless Steel Adjustable Shelf
- * Stainless Steel Drawer w/ roller bearing drawer slides
- * Storage Bar w/ 6 Stainless Steel Hooks
- * 36" high Overall
- * Adjustable Feet
- * Optional Commercial Grade Casters (CAS01)
- * Shipped knocked-down, easy - to - assemble
- * UPSable

Model	Size	Wt
BS4824-AS-D	48"x24"	100
BS4830-AS-D	48"x30"	119



MATERIAL:

- Top: 16 gauge type 304 stainless steel,
Type 304 stainless steel # 3 polish, satin finish
- Shelf: 18 gauge type 304 stainless steel, # 3 polish, satin finish
- Legs: 18 gauge type 304 stainless steel, # 3 polish, satin finish

John Boos & Co

315 South First Street - Effingham, IL 62401

Phone: 217-347-7701 - Fax: 217-347-7705

Email: sales@johnboos.com - Web-site: www. johnboos.com

Z-21