



**John  
BOOS**  
Since 1887

ITEM #: \_\_\_\_\_ QTY: \_\_\_\_\_  
MODEL #: \_\_\_\_\_  
PROJECT NAME: \_\_\_\_\_

011719

3601 S. Banker St. Effingham, IL 62401 • P.O. BOX 609 • Ph: (888) 431-2667 • Fax: (800) 433-2667

## **"E2S8-1D" - 2 COMPARTMENT "E-SERIES" SINKS**

### **WITH 1 DRAIN BOARD AND GALVANIZED LEGS**



#### **FEATURES:**

- 18GA STAINLESS STEEL
- TYPE 300 STAINLESS STEEL WITH #4 POLISH, SATIN FINISH
- 12" AND 14" DEEP BOWLS
- ALL CORNERS, BOTH VERTICAL AND HORIZONTAL, COVED AT 3/4" RADIUS
- BOTTOMS OF BOWLS FORMED FOR DRAINAGE TO 3-1/2" DIAMETER DIE STAMPED OPENING
- FULL LENGTH 9-3/4" HIGH BOXED BACKSPLASH, WITH 2" RETURN TO WALL AT 45 DEGREE AND 1" TILE EDGE
- 1-1/8" FAUCET HOLES IN BACKSPLASH
- ALL OUTSIDE CORNERS OF ASSEMBLY ARE BULLNOSED TO PROVIDE SAFE, CLEAN, AND POLISHED EDGE
- STANDARD STAINLESS STEEL LEGS 1-5/8" DIAMETER

#### **CONSTRUCTION:**

- TOP: STAINLESS STEEL SINKS ARE TIG WELDED, EXPOSED WELDS ARE POLISHED TO MATCH ADJACENT SURFACE
- BASE: GALVANIZED STEEL

#### **MATERIAL:**

- BOWLS & TOP: 18GA TYPE 300 STAINLESS STEEL WITH #4 POLISH, SATIN FINISH
- LEGS: 1-5/8" ROUND O.D. GALVANIZED STEEL
- GUSSETS: GALVANIZED STEEL
- FEET: 1" PLASTIC BULLET FEET



#### **12" DEEP - 2 COMP SINKS - 18GA**

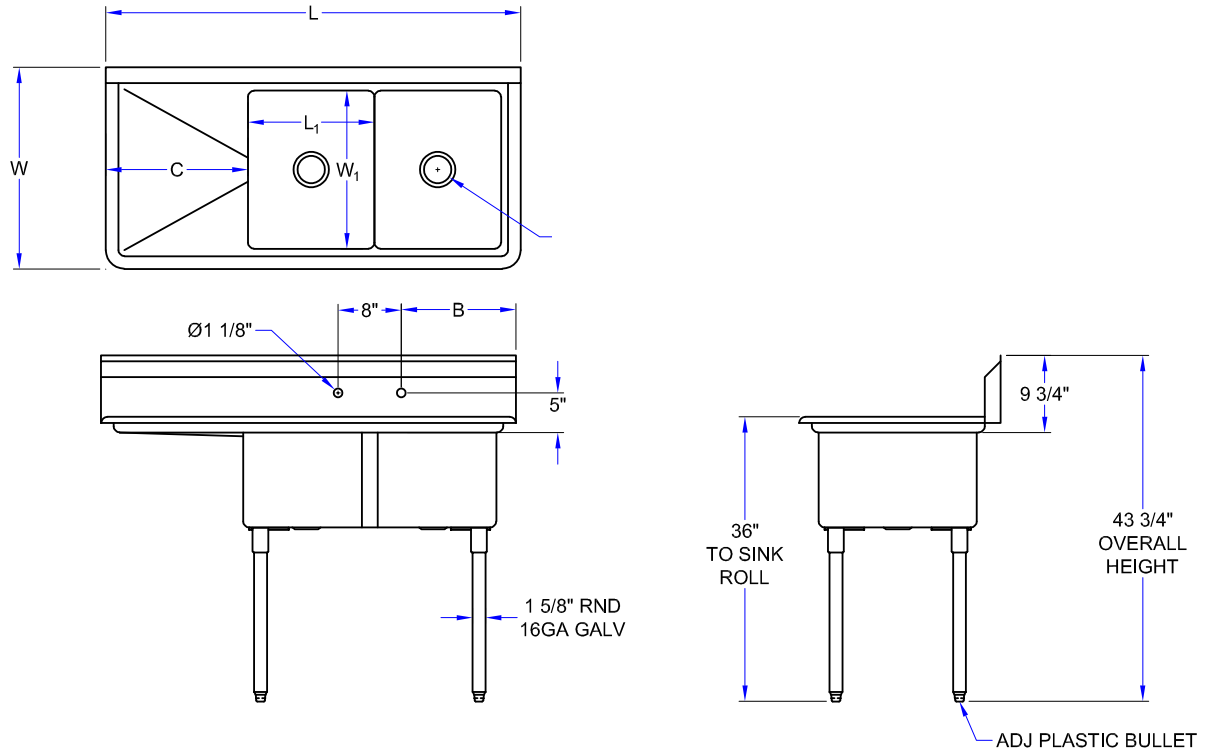
MODEL	BOWL SIZE (LxWxD)	QTY
E2S8-1620-12L18	16" X 20" X 12"	
E2S8-1620-12R18	16" X 20" X 12"	
E2S8-18-12L18	18" X 18" X 12"	
E2S8-18-12R18	18" X 18" X 12"	

#### **14" DEEP - 2 COMP SINKS - 18GA**

MODEL	BOWL SIZE (LxWxD)	QTY
E2S8-24-14L24	24" X 24" X 12"	
E2S8-24-14R24	24" X 24" X 12"	

# DETAILED SPECIFICATIONS

E2S8-1620-12L18



## 12" DEEP - 18GA - "E2S8-1D" 2 COMPARTMENT "E-SERIES" SERIES SINKS

MODEL	L	W	L1	W1	A	B	C	WT (LBS)
E2S8-1620-12L18	52-1/2"	25-1/2"	16"	20"	12-15/16"	14-1/2"	18"	67
E2S8-1620-12R18	52-1/2"	25-1/2"	16"	20"	12-15/16"	14-1/2"	18"	67
E2S8-18-12L18	56-1/2"	23-1/2"	18"	18"	11-15/16"	16-1/2"	18"	68
E2S8-18-12R18	56-1/2"	23-1/2"	18"	18"	11-15/16"	16-1/2"	18"	68

## 14" DEEP - 18GA - "E2S8-1D" 2 COMPARTMENT "E-SERIES" SERIES SINKS

MODEL	L	W	L1	W1	A	B	C	WT (LBS)
E2S8-24-14L24	74-1/2"	29-1/2"	24"	24"	14-15/16"	22-5/8"	24"	96
E2S8-24-14R24	74-1/2"	29-1/2"	24"	24"	14-15/16"	22-5/8"	24"	96

SOME UNITS SHIP UNASSEMBLED FOR REDUCED SHIPPING COST. ALL DIMENSIONS ARE TYPICAL. TOLERANCE +/- .500"

John Boos & Co. is constantly engaged in a program of improving products and therefore reserves the right to change specifications without prior notice.



Boos  
lock

AQ AutoQuotes

3601 S. Banker St. • Effingham, IL 62401 • PO BOX 609 • quotes@johnboos.com

www.johnboos.com

111418

171