



**John  
BOOS**  
Since 1887

ITEM #: \_\_\_\_\_ QTY: \_\_\_\_\_  
 MODEL #: \_\_\_\_\_  
 PROJECT NAME: \_\_\_\_\_

3601 S. Banker St. Effingham, IL 62401 • P.O. BOX 609 • Ph: (888) 431-2667 • Fax: (800) 433-2667

## **"E3S8-2DB" - 3 COMPARTMENT "E-SERIES" SINKS**

### **WITH TWO DRAIN BOARDS AND GALVANIZED LEGS**



#### **FEATURES:**

- 18GA STAINLESS STEEL
- TYPE 300 STAINLESS STEEL WITH #4 POLISH, SATIN FINISH
- 12" AND T14" DEEP BOWLS
- ALL CORNERS, BOTH VERTICAL AND HORIZONTAL, COVED AT 3/4" RADIUS
- BOTTOMS OF BOWLS FORMED FOR DRAINAGE TO 3-1/2" DIAMETER DIE STAMPED OPENING
- FULL LENGTH 10" HIGH BOXED BACKSPLASH, WITH 2" RETURN TO WALL AT 45 DEGREE AND 1" TILE EDGE
- 1" FAUCET HOLES IN BACKSPLASH
- ALL OUTSIDE CORNERS OF ASSEMBLY ARE BULLNOSED TO PROVIDE SAFE, CLEAN, AND POLISHED EDGE
- STANDARD STAINLESS STEEL LEGS 1-5/8" DIAMETER
- LEGS LOCATED DIRECTLY UNDER SINK BOWLS, PROVIDING INCREASED STABILITY AND MAX WEIGHT SUPPORT

#### **CONSTRUCTION:**

- TOP: STAINLESS STEEL SINKS ARE TIG WELDED, EXPOSED WELDS ARE POLISHED TO MATCH ADJACENT SURFACE
- BASE: GALVANIZED BASE

#### **MATERIAL:**

- BOWLS & TOP: 18GA TYPE 300 STAINLESS STEEL WITH #4 POLISH, SATIN FINISH
- LEGS: 1-5/8" ROUND O.D. GALVANIZED STEEL
- GUSSETS: GALVANIZED STEEL
- FEET: 1" ADJUSTABLE PLASTIC BULLET FEET



E3S8-24-14

#### **10" DEEP - 3 COMP SINKS - 18GA**

MODEL	BOWL SIZE (LxWxD)	QTY
E3S8-1014-10T15	10" X 14" X 10"	

#### **12" DEEP - 3 COMP SINKS - 18GA**

MODEL	BOWL SIZE (LxWxD)	QTY
E3S8-1620-12T18	16" X 20" X 12"	
E3S8-18-12T18	18" X 18" X 12"	
E3S8-1416-12-T12	14" X 16" X 12"	

#### **14" DEEP - 3 COMP SINKS - 18GA**

MODEL	BOWL SIZE (LxWxD)	QTY
E3S8-15-14T15	15" X 15" X 14"	
E3S8-1620-14T18	16" X 20" X 14"	
E3S8-18-14T18	18" X 18" X 14"	
E3S8-18-14T24	18" X 18" X 14"	
E3S8-1824-14T24	18" X 24" X 14"	
E3S8-24-14T24 *	24" X 24" X 14"	
E3S8-2030-14T24	20" X 30" X 14"	

\* WITH TWO SETS OF FAUCET HOLES

# "E3S8-2DB" - 3 COMPARTMENT "E-SERIES" SINKS DETAILED SPECIFICATIONS

## 10" DEEP - SINK DIMENSIONS

A	B	C	D
12"	10"	10"	39-3/4"

## 12" DEEP - SINK DIMENSIONS

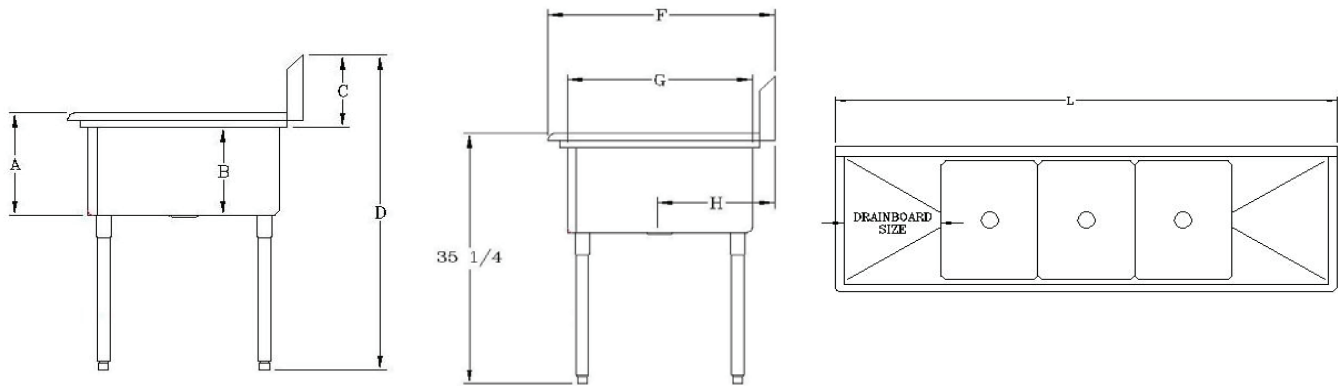
A	B	C	D
14-1/4"	12"	10"	43-3/4"

## 14" DEEP - SINK DIMENSIONS

A	B	C	D
16-1/4"	14"	10"	43-3/4"

## BOWL DIMENSIONS

LENGTH x WIDTH	F	G	H
10" X 14"	19-7/8"	14"	10"
16" X 20"	25-1/2"	20"	12-15/16"
18" X 18"	23-1/2"	18"	11-15/16"
18" X 24"	29-1/2"	24"	14-15/16"
24" X 24"	29-1/2"	24"	14-15/16"



## 10" DEEP - 3 COMP SINKS - 18GA

MODEL	BOWL SIZE (LxWxD)	DIMENSIONS	DRAIN BOARDS	WT. (LBS)
E3S8-1014-10T15	10" X 14" X 10"	60" X 19-7/8"	15"	95

## 12" DEEP - 3 COMP SINKS - 18GA

MODEL	BOWL SIZE (LxWxD)	DIMENSIONS	DRAIN BOARDS	WT. (LBS)
E3S8-1620-12T18	16" X 20" X 12"	84" X 25-1/2"	18"	240
E3S8-18-12T18	18" X 18" X 12"	90" X 23-1/2"	18"	153
E3S8-1416-12-T12	14" X 16" X 12"	66" X 21-1/2"	12"	200

## 14" DEEP - 3 COMP SINKS - 18GA

MODEL	BOWL SIZE (LxWxD)	DIMENSIONS	DRAIN BOARDS	WT. (LBS)
E3S8-15-14T15	15" X 15" X 14"	75" X 20-1/2"	15"	231
E3S8-1620-14T18	16" X 20" X 14"	84" X 25-1/2"	18"	202
E3S8-18-14T18	18" X 18" X 14"	90" X 23-1/2"	18"	255
E3S8-18-14T24	18" X 18" X 14"	102" X 29-1/2"	24"	265
E3S8-1824-14T24	18" X 24" X 14"	104" X 29-1/2"	24"	288
E3S8-24-14T24 *	24" X 24" X 14"	120" X 29-1/2"	24"	370
E3S8-2030-14T24	20" X 30" X 14"	108" X 35-1/2"	24"	291

\* WITH TWO SETS OF FAUCET HOLES

SOME UNITS SHIP UNASSEMBLED FOR REDUCED SHIPPING COST. ALL DIMENSIONS ARE TYPICAL. TOLERANCE +/- .500"  
John Boos & Co. is constantly engaged in a program of improving products and therefore reserves the right to change specifications without prior notice.



3601 S. Banker St. • Effingham, IL 62401 • PO BOX 609 • quotes@johnboos.com

Boos  
locks

AQ Quotes

www.johnboos.com