

ITEM #: _____ QTY: _____
 MODEL #: _____
 PROJECT NAME: _____

121817

3601 S. Banker St. Effingham, IL 62401 • P.O. BOX 609 • Ph: (888) 431-2667 • Fax: (800) 433-2667

"EUBD-18" SLIM-LINE UNDERBAR DRAIN BOARDS



FEATURES:

- STAMPED RIBBED DRAIN BOARDS
- STAINLESS STEEL LEGS AND BRACING WITH ADJUSTABLE BULLET FEET

CONSTRUCTION:

- TOP: STAINLESS STEEL TOPS ARE TIG WELDED, EXPOSED WELDS ARE POLISHED TO MATCH ADJACENT SURFACE.

MATERIAL:

- TOP: 18GA 300 SERIES STAINLESS STEEL
- BRACING: STAINLESS STEEL
- LEGS: STAINLESS STEEL
- FEET: PLASTIC



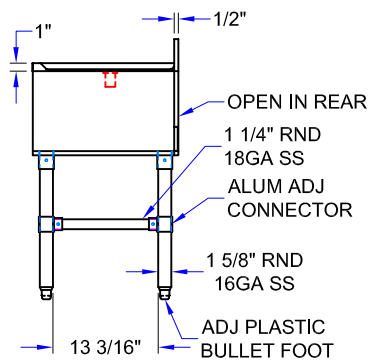
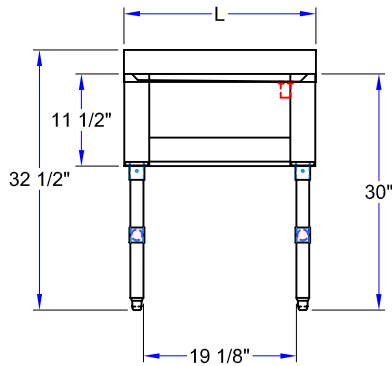
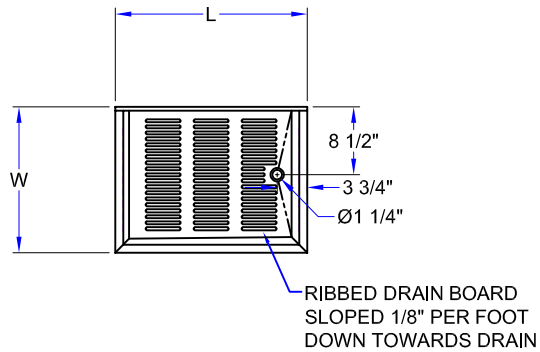
SLIM-LINE UNDERBAR DRAIN BOARDS

MODEL #	QTY
EUBD-1218	
EUBD-1818	
EUBD-2418	
EUBD-3018	
EUBD-3618	
EUBD-4818	

OPTIONAL ACCESSORIES

MODEL #	QTY
SPEED RAILS	
STAINLESS STEEL LEGS	

DETAILED SPECIFICATIONS



SLIM-LINE UNDERBAR DRAIN BOARDS

MODEL #	LENGTH	WIDTH	HEIGHT	WT. (LBS)
EUBD-1218	12"	18"	30"	32
EUBD-1818	18"	18"	30"	37
EUBD-2418	24"	18"	30"	40
EUBD-3018	30"	18"	30"	44
EUBD-3618	36"	18"	30"	48
EUBD-4818	48"	18"	30"	60

SOME UNITS SHIP UNASSEMBLED FOR REDUCED SHIPPING COST. ALL DIMENSIONS ARE TYPICAL. TOLERANCE +/- .500"
John Boos & Co. is constantly engaged in a program of improving products and therefore reserves the right to change specifications without prior notice.



3601 S. Banker St. • Effingham, IL 62401 • PO BOX 609 • quotes@johnboos.com

121817

45



www.johnboos.com