



ITEM #: \_\_\_\_\_ QTY: \_\_\_\_\_  
 MODEL #: \_\_\_\_\_  
 PROJECT NAME: \_\_\_\_\_

110618

3601 S. Banker St. Effingham, IL 62401 • P.O. BOX 609 • Ph: (888) 431-2667 • Fax: (800) 433-2667

## **"EUBDS-18STD" SLIM-LINE UNDERBAR HAND SINK**

### **WITH SOAP AND TOWEL DISPENSER**

**FEATURES:**

- FABRICATED SINK BOWL: 10" X 12" X 6" DEEP
- REMOVEABLE SCRAP BASKET
- SOAP DISPENSER
- TOWEL DISPENSER
- STAINLESS STEEL LEGS AND BRACING WITH ADJUSTABLE BULLET FEET
- 4" ON-CENTER SPLASH MOUNT FAUCET HOLES

**MATERIAL:**

- TOP: 18GA 300 SERIES STAINLESS STEEL
- BRACING: STAINLESS STEEL
- LEGS: STAINLESS STEEL
- FEET: PLASTIC

**CONSTRUCTION:**

- STAINLESS STEEL TOPS ARE TIG WELDED, EXPOSED WELDS ARE POLISHED TO MATCH ADJACENT SURFACE.



**SLIM-LINE UNDERBAR HAND SINK WITH SOAP AND TOWEL DISPENSER**

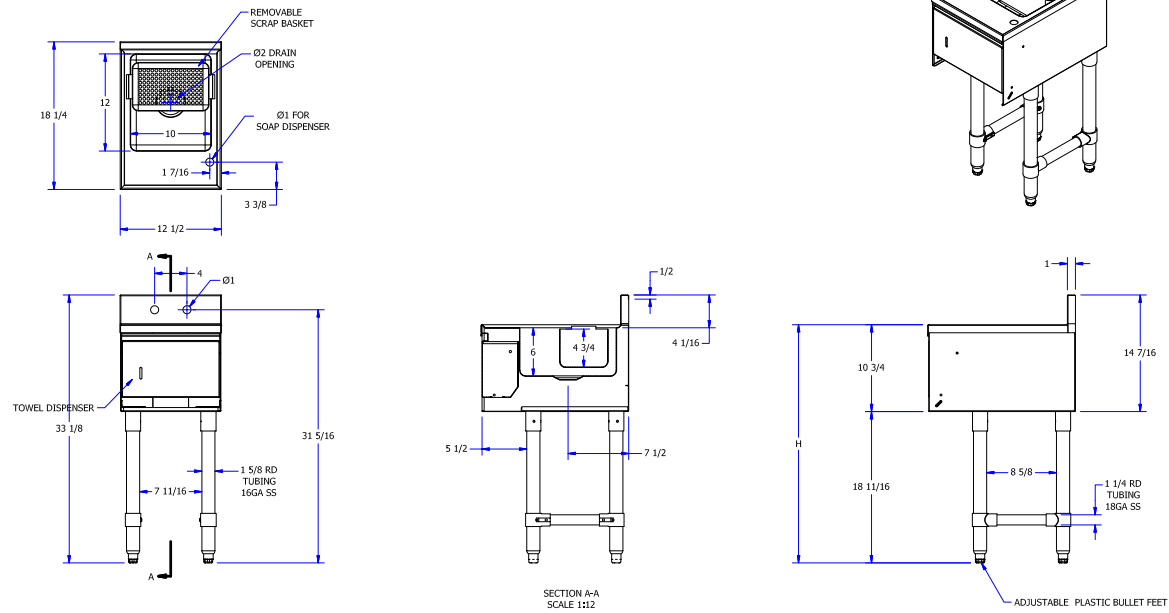
MODEL #	QTY
EUBDS-1218STD	
EUBDS-1518STD	

**OPTIONAL ACCESSORIES**

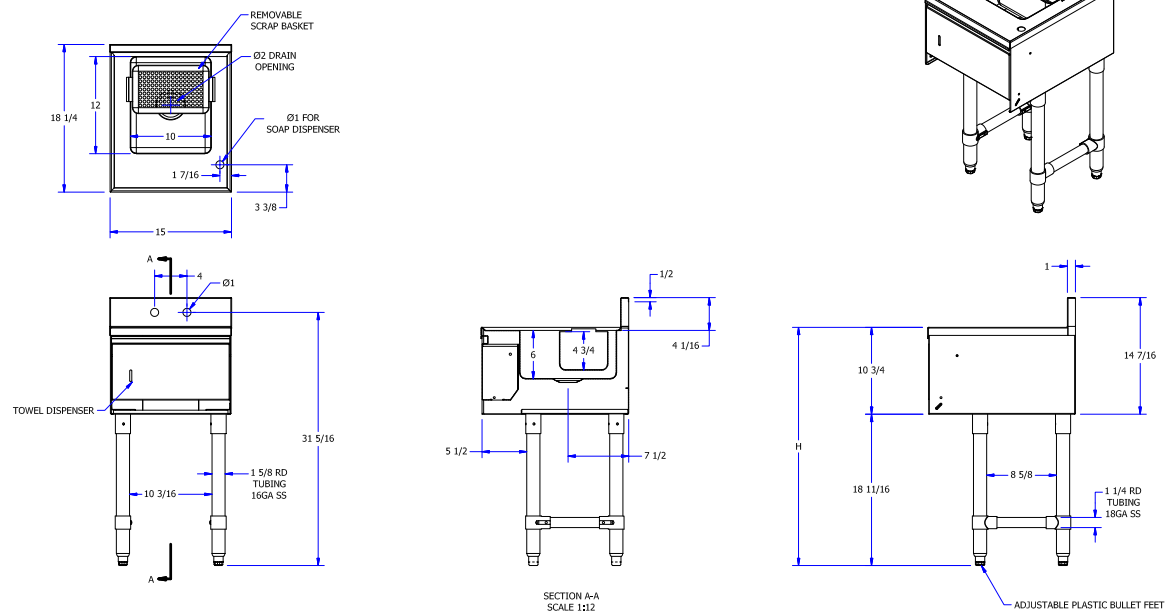
MODEL #	QTY
STAINLESS STEEL LEGS	

# DETAILED SPECIFICATIONS

## EUBDS-1218STD



## EUBDS-1518STD



### SLIM-LINE UNDERBAR HAND SINK WITH SOAP AND TOWEL DISPENSER

MODEL #	LENGTH	WIDTH	HEIGHT	WT. (LBS)
EUBDS-1218STD	12-1/2"	18-1/4"	29-1/2"	33
EUBDS-1518STD	15"	18-1/4"	29-1/2"	36

WEIGHTS ARE SUBJECT TO ADDITIONAL PACKAGING

SOME UNITS SHIP UNASSEMBLED FOR REDUCED SHIPPING COST. ALL DIMENSIONS ARE TYPICAL. TOLERANCE +/- .500"

John Boos & Co. is constantly engaged in a program of improving products and therefore reserves the right to change specifications without prior notice.



3601 S. Banker St. • Effingham, IL 62401 • PO BOX 609 • quotes@johnboos.com

www.johnboos.com

110618

49