



"Soiled Dish Tables" Pro-Bowl

Straight Dish Tables w/ Stainless Steel Base & Bracing



STANDARD: 16 ga. 304 S/S welded Bowl
16 ga. 304 S/S sides and Splash
10" Back Splash



16 GAUGE TOP w/ BRACING	Qty
JDTS-20-36	
JDTS-20-48	
JDTS-20-60	
JDTS-20-72	
JDTS-20-84	
JDTS-20-96	
JDTS-20-120	
JDTS-20-144	

**Must specify
Left or Right
Drainboards**

FEATURES:

- * Standard 16 Gauge (optional 14 gauge)
Type 304 stainless steel with # 3 polish, satin finish
- * 8" Deep Bowls (bowl size 20"x20"x8")
- * All Corners, both vertical and horizontal, coved at 5/8" radius
- * Bottoms of bowls formed for drainage to 3-1/2" diameter die stamped opening
- * Full length **10" High Boxed Backsplash**, with 2" return to wall at 45 degree and 3/4" turned down rear lip
- * 1-1/4" Faucet Holes in Backsplash
- * All outside corners of assembly are Bullnosed to provide safe, clean and polished edge
- * Standard legs 1-5/8" diameter, 16 gauge Stainless Steel Type 304 stainless steel with # 3 polish, satin finish
- * All models are approved by the National Sanitation Foundation and the U.S. Department of Agriculture.

CONSTRUCTION:

Top: Stainless Steel Sinks are TIG welded, Exposed welds are polished to match adjacent surface.

MATERIAL:

Bowls & 16 gauge stainless Steel (optional 14 Gauge)
Top: Type 304 stainless steel with # 3 polish, satin finish
Legs: 1 5/8" Round O.D., 16 gauge stainless steel
Type 304 stainless steel with # 3 polish, satin finish
Bracing: 1 1/4" Round O.D., 16 gauge stainless steel
Type 304 stainless steel with # 3 polish, satin finish
Gussets: Stainless Steel
Feet: 1" adjustable galvanized bullet feet

OPTIONAL ACCESSORIES

	Qty
14 GAUGE	
ADD-A-FAUCETS	
PRE-RINSE UNITS	
LEVEL WASTE	
UNDERSHELF	
OVERSHELVES	
POT RACK	
STAINLESS STEEL FEET	

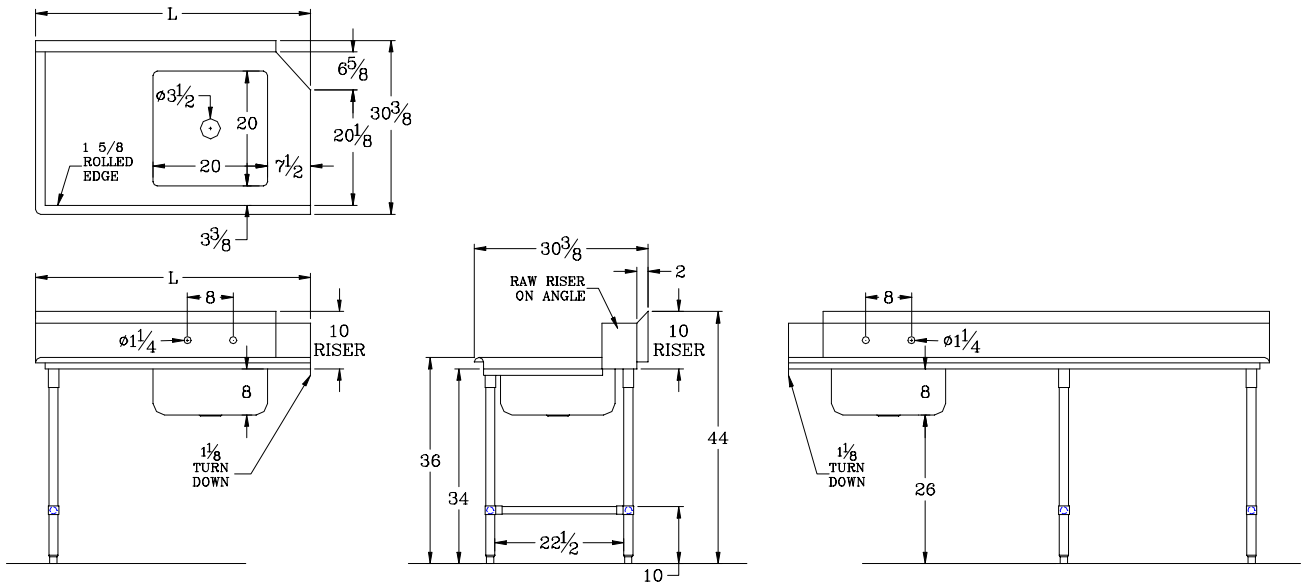
John Boos & Co

315 South First Street - Effingham, IL 62401

Phone: 217-347-7701 - Fax: 217-347-7705

Email: sales@johnboos.com - Web-site: www.johnboos.com

DETAILED SPECIFICATIONS



All units ship unassembled for reduced shipping cost.

Units 7 ft. and larger are furnished with four legs.

All dimensions are typical.

Tolerance +/- .500".

STANDARD 16 GAUGE			
MODEL	BOWL SIZE	DIMENSIONS	WT.
JDTS-20-36	20 x 20 x 8	36" x 30-3/8"	45
JDTS-20-48	20 x 20 x 8	48" x 30-3/8"	60
JDTS-20-60	20 x 20 x 8	60" x 30-3/8"	70
JDTS-20-72	20 x 20 x 8	72" x 30-3/8"	85
JDTS-20-84	20 x 20 x 8	84" x 30-3/8"	100
JDTS-20-96	20 x 20 x 8	96" x 30-3/8"	110
JDTS-20-120	20 x 20 x 8	120" x 30-3/8"	160
JDTS-20-144	20 x 20 x 8	144" x 30-3/8"	210

John Boos & Co

315 South First - Effingham, IL 62401 Phone: 217-347-7701 - Fax: 217-347-7705

Email: sales@johnboos.com - Web-site: www.johnboos.com



June 2003

John Boos is constantly engaged in a program of improving products and therefore reserves the right to change specification without prior notice