

THE BLOCKS THAT MADE BOOS FAMOUS

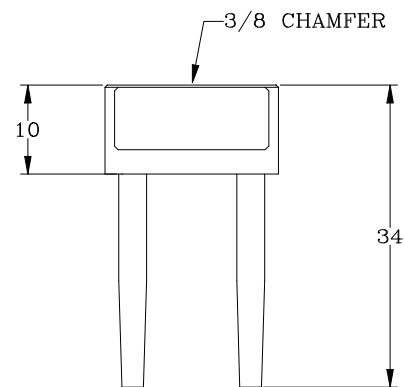
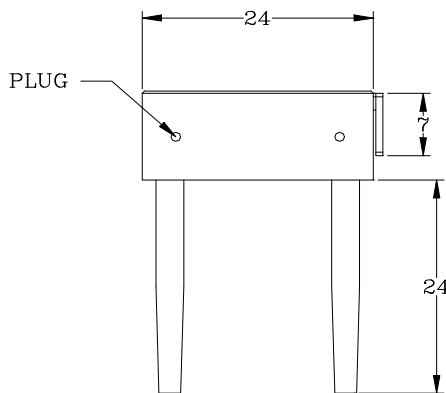
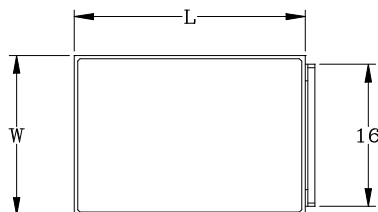
Boos Block (Model PCA)



FEATURES:

- * Solid Hard Rock Maple
- * 10" Thick End Grain Work Surface
- * Finished with Penetrating Oil
- * Stand 34" O.A.H.
- * Wood Knife Holder Standard
- * Options: Casters (CAS03)
- * Shipped knocked-down, easy - to - assemble
- * PCA1 & PCA 2 UPSable

Model	Size	Wt
PCA1	18"x18"	115
PCA2	24"x18"	142
PCA3	24"x24"	185
PCA4	30"x24"	225
PCA5	30"x30"	266



MATERIAL:

Top: End Grain Hard Rock Maple
 Legs: Hard Rock Maple

John Boos & Co

3601 S Banker Str. - Effingham, IL 62401
 Phone: 217-347-7701 - Fax: 217-347-7705
 Email: sales@johnboos.com - Web-site: www.johnboos.com