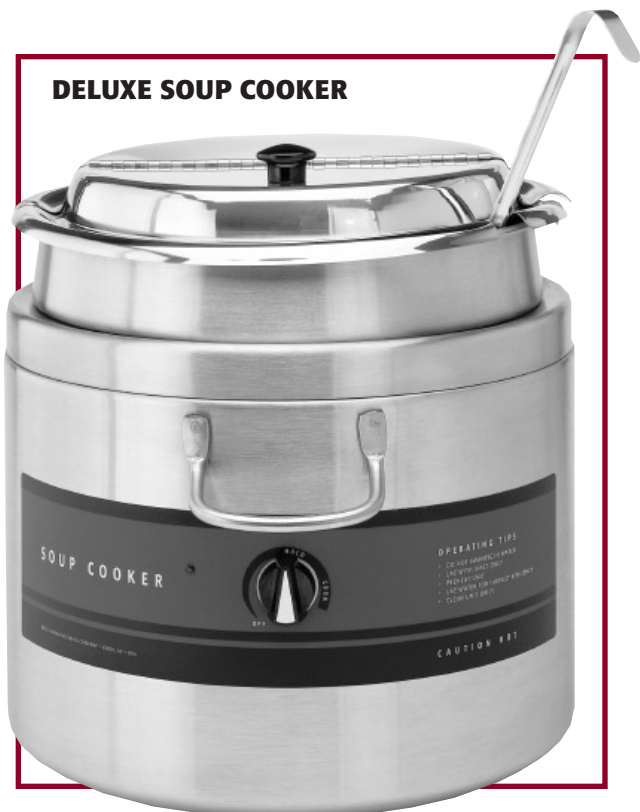


MODEL 6411 DELUXE SOUP COOKER

MODEL 6411 DELUXE SOUP COOKER



DELUXE SOUP COOKER

Wells Model 6411 Deluxe Soup Cooker will quickly heat refrigerated food and hold it at serving temperature. The deep-drawn stainless steel pot and band-heating element provide efficient heat distribution, allowing a variety of foods to be served in a minimal amount of space.

Features

- **High wattage** for rapid heating of refrigerated food.
- **Fully insulated** for maximum efficiency.
- Pot and outer housing are constructed of **deep-drawn stainless steel** for strength and durability.
- **Dual heating elements** provide fast, efficient operation.
- **Thermostatically controlled** to maintain precise temperature.
- **A signal light** indicates when heating elements are energized.
- **Handles** attached to cooker housing allow unit to be easily transported.
- Cooker is designed for **wet or dry operation**.
- The Model 6411 Deluxe Soup Cooker is **Underwriter's Laboratories, Inc. LISTED** and meets **NSF International** and **Canadian standards**.
- **A one-year warranty** against defects covers parts and labor.

Specifications

Overall Dimensions:	Inches	MM
Diameter	12 1/8	308
Height (Incl. ft.)	9 11/16	246
Temperature Settings:	Fahrenheit	Celsius
Model 6411	90° to 210°	32° to 99°
Weights:	Lbs.	KG
Model 6411		
Installed	10	5
Shipping	12	5

Accessories / Options

Inset, 11-quart capacity with hinged lid, 21057

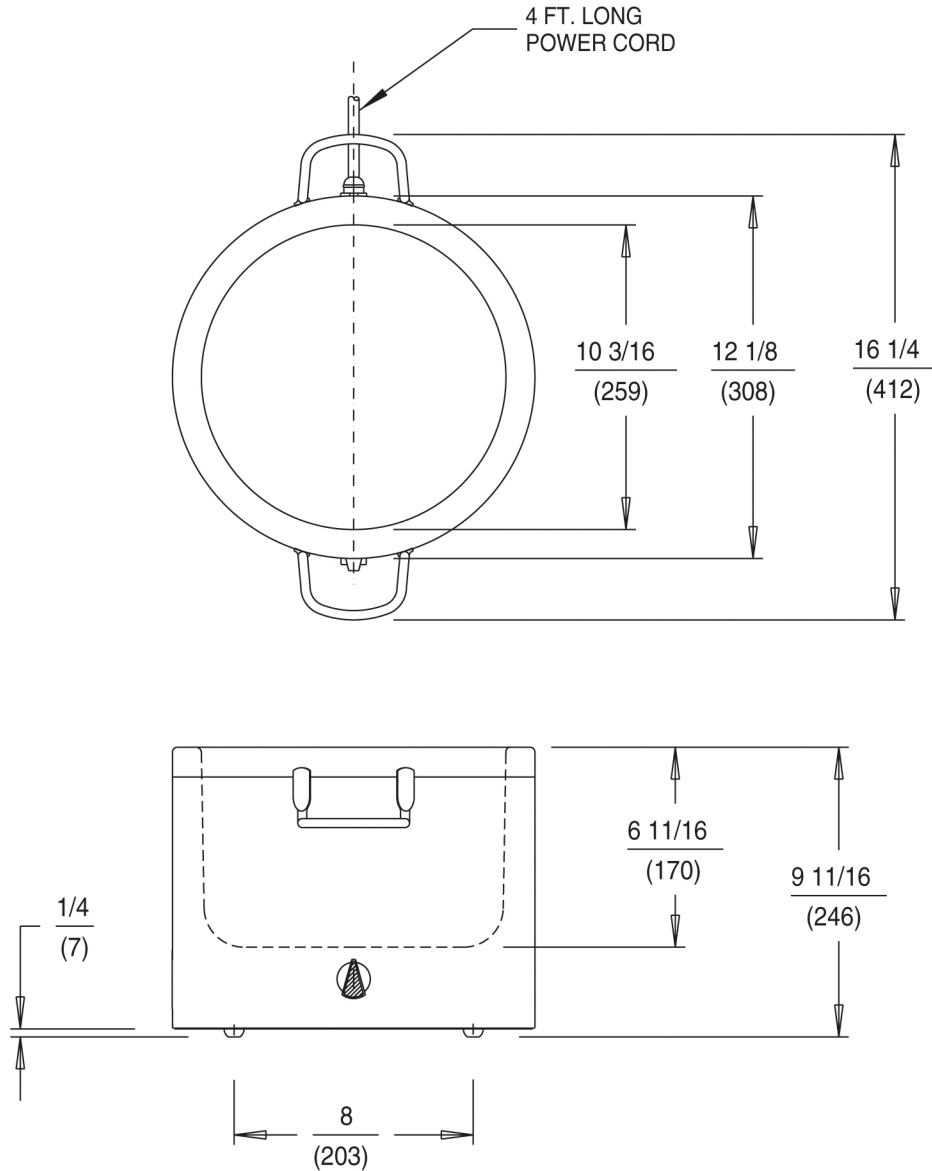
Ladle, 6 oz., 21764





DIMENSIONS:

INCH
(MM)



DELUXE SOUP COOKER ELECTRICAL SPECIFICATIONS:

MODELS	VOLTS	WATTS	AMPS	PHASE	POWER SUPPLY CORD
6411	120	1000	8.3	SINGLE	NEMA 5-15P

NOTE: Specifications are subject to change without notice. See installation instruction sheet prior to installing the unit. This document is not for installation purposes.

