



Job \_\_\_\_\_ Item No. \_\_\_\_\_

# Countertop Food Warmer

Single 12-inch by 20-inch SMPT SMPTD

Single Extra Deep 12-inch by 27-inch SMPT27 SMPTD27

Dual 12-inch by 20-inch TMPT TMPTD



SMPT

## DESCRIPTION

Wells countertop food warmers are designed to hold heated foods at desired serving temperature. These units are designed to operate wet or dry and offer a variety of adapters and alternate size insets for maximum versatility.

## SPECIFICATIONS

Wells countertop food warmers will use stainless steel, deep-drawn warming pan[s]. The units will be set up to run wet or dry without modification. Units with the "D" designation [SMPTD, SMPTD27, and TMPTD] will feature a built in bottom exiting drain. Units will come with a factory attached cordset consistent with that units electrical requirements and corresponding certification. Each pan will be controlled by a positive-off thermostat and utilize a tubular heating element below the pan. Units will come with adjustable plastic 4-inch (102 mm) tall legs. SMPT models without drain will also be optionally available with 1-inch (25 mm) legs.

## WARRANTY

These units come with a one [1] year warranty for parts and labor.

## FEATURES

- Warming pans are deep-drawn stainless steel for maximum durability and accommodate pans up to 6-inches (152 mm) deep
- Positive-off infinite thermostat provides highly adjustable consistent temperature control
- Designed for wet or dry operation
- Controls have a protective guard ring to prevent accidental temperature changes

## OPTIONS & ACCESSORIES

Adapter tops do not come with insets.

Insets include lid and are sold singularly.

### SMPT / SMPTD / TMPT / TMPTD

- Adapter top [20176]—converts one 12-inch by 20-inch warmer to two 7-quart insets [20587]
- Adapter top [20434]—converts one 12-inch by 20-inch warmer to two 4-quart [20774] and two 2.5-quart insets [20773]
- Adapter top [21621]—converts one 12-inch by 20-inch warmer to one 11-quart [20908] and one 7-quart inset [20587]
- Adapter top [21615]—converts one 12-inch by 20-inch warmer to three 4-quart insets [20774]
- Adapter top [21624]—converts one 12-inch by 20-inch warmer to four 2.5-quart inset [20773]
- Adapter top [21617]—converts one 12-inch by 20-inch warmer to one 7-quart [20587] and one 4-quart inset [20774]

### SMPT27 / SMPTD27

- Adapter top [22589]—converts one 12-inch by 27-inch warmer to three 7-quart insets [20587]

### ALL

- 4-inch metal leg set [part number 20563]
- Built-in bottom exit drain

## CERTIFICATIONS



STD. 4

<sup>1</sup>120 V/1,650 W SMPT models not CUL approved

<sup>2</sup>SMPT 220 V/240 V model only



**WELLS BLOOMFIELD, LLC** • www.wells-mfg.com

265 Hobson Street • Smithville, Tennessee 37166

Telephone 888 356 5362 • Fax 314 781 5445

Printed in the U.S.A. • 2M-Z21964 • Rev - • 09.2017  
Specifications are subject to change without notice and are not intended for installation purposes.

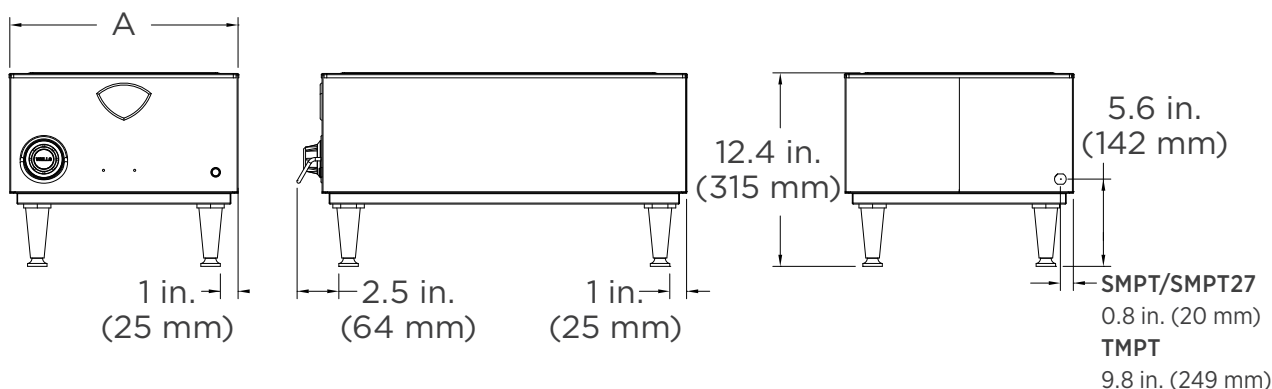
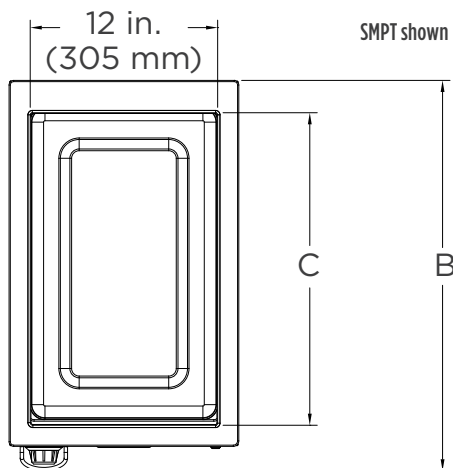


# Countertop Food Warmer

Single 12-inch by 20-inch SMPT SMPTD

Single Extra Deep 12-inch by 27-inch SMPT27 SMPTD27

Dual 12-inch by 20-inch TMPT TMPTD

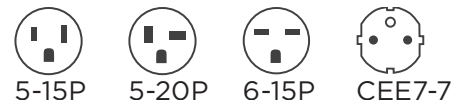


MODEL	HEIGHT	WIDTH [A]	DEPTH [B]	PAN DEPTH [C]	VOLTS	WATTS	AMPS	NEMA PLUG	APPROX. SHIP WEIGHT	APPROX. WEIGHT INSTALLED
SMPT[D] <sup>3</sup>	12.4 in. <sup>4</sup> (315 mm) <sup>4</sup>	14.7 in. (373 mm)	25.1 in. (638 mm)	20 in. (508 mm)	120	1,650	13.8	5-15P	27 lb. (12.2 kg)	24 lb. (10.9 kg)
					208	1,240	6	6-15P		
					220 <sup>5</sup>	1,400 <sup>5</sup>	6.4 <sup>5</sup>	CEE7-7 <sup>5</sup>		
SMPT27[D] <sup>3</sup>	12.4 in. (315 mm)	14.7 in. (373 mm)	32.1 in. (815 mm)	27 in. (686 mm)	120	1,650	13.8	5-15P	31 lb. (14.1 kg)	28 lb. (12.7 kg)
					208	1,240	6	6-15P		
					240	1,650	6.9	6-15P		
TMPT[D]	12.4 in. (315 mm)	19.6 in. (498 mm)	25.1 in. (638 mm)	20 in. (508 mm)	120	1,800	15	5-20P	50 lb. (22.7 kg)	40 lb. (18.1 kg)
					208	1,800	8.7	6-15P		
					240	2,400	10	6-15P		

<sup>3</sup> This can be ordered as a 120 V, 1400 W [11.7 amp] unit to meet Canadian standards as well.

<sup>4</sup> This can be ordered with 1 in. (25 mm) legs, reducing the total height to 9.4 in. (239 mm).

<sup>5</sup> 50 Hz



Due to periodic changes in designs, methods, procedures, policies and regulations, the specifications contained in this sheet are subject to change without notice. While Star Manufacturing exercises good faith efforts to provide information that is accurate, we are not responsible for errors or omissions in information provided or conclusions reached as a result of using the specifications. By using the information provided, the user assumes all risks in connection with such use.



**WELLS BLOOMFIELD, LLC** • www.wells-mfg.com  
 265 Hobson Street • Smithville, Tennessee 37166  
 Telephone 888 356 5362 • Fax 314 781 5445

Printed in the U.S.A. • 2M-Z21964 • Rev - • 09.2017  
 Please refer to the owner's manual for information regarding installation or use.