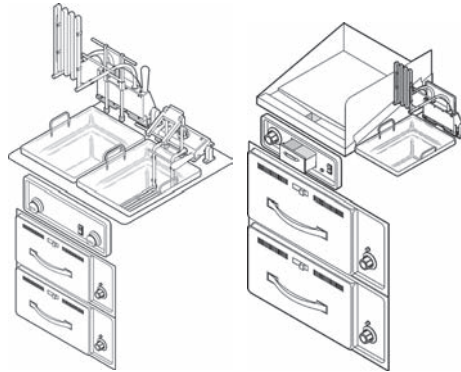




VCS 2000 - Ventless Cooking Systems Drawer Warmer Base With Dual Fryers or Combination Fryer & Griddle Tops MODELS WVF886RW WVFGRW



Model WVG136RW SHOWN



Model WVF886RW Model WVFGRW

DESCRIPTION

Wells Universal hoods are Certified Type-1 compliant, UL710B approved recirculation hood systems and feature completely self-contained air filtration and fire-suppression systems. They do not require venting outside making it possible to cook in non-traditional locations or when traditional Type-1 hoods and duct-work are impractical, restricted or too expensive. VCS models are integrated with hood and cooking equipment in one, ready to use package.

SPECIFICATIONS

Fire Protection – Completely self contained ANSUL® R-102 system includes ANSUL® tank, nitrogen cartridge, ANSUL® soprofanifier, piping, fusible links, ANSUL® drops, nozzles, and movable manual pull station. Manual pull can be relocated to the egress position or an additional station can be added by an authorized ANSUL® representative. Fire protection system meets NFPA 96 Chapter 13. Fire protection system must be charged and certified by ANSUL® Authorized distributor after installation and before first use (operator's responsibility).

Filtration – Completely self-contained filtration process reduces emissions below that allowed in NFPA 96 and ANSI UL710B using the EPA 202 test method. VCS includes a fully self-contained 4-stage air filtration system including a stainless steel grease baffle filter with grease cup, a fire-rated fiberglass pre-filter, a HEPA (High-Efficiency Particulate Air) filter / carbon-charcoal filter pack. All filters are easily removable with out tools. Air flow sensors continually monitor air flow optimizing performance and grease removal while an interlock system will not allow cooking appliances to function if filters are missing, clogged or in the event of a fire.

Cooking Appliances – Cooking equipment is included and integrated in all VCS models. Both the WVF886RW and WVFGRW include a world-renown Wells double-drawer warmers with individual thermostatic temperature controls. The WVF886RW also includes dual Auto-Lift fryers while the WVFGRW also includes a heavy duty griddle with a single fryer.

Exhaust and Air Flow – Exhaust air is vertical discharge. Typical airflow is 800 CFM. A minimum of 400 cubic feet of fresh air per minute is recommended both in and out of the cooking area to ensure the dilution of cooking aromas.

STANDARD FEATURES

- Completely self-contained, 4-stage filtration system
- Completely self-contained fire protection system
- Very quiet with only 68 dBA average
- Interlock system will disable cooking appliances if filters are missing, clogged or in the event of a fire
- Airflow sensors continually monitor airflow for optimizing performance and grease removal
- Illuminated early-warning system to monitor filter replacement
- Completely self-contained filtration process reduces emissions below that allowed in NFPA 96 and ANSI UL710B using the EPA 202 test method
- Interior incandescent light in protected glass globe improves visibility
- Stainless steel construction for strength, durability and ease of cleaning
- Fits through a 36" wide door opening
- Two each adjustable 6" to 8" front legs and 2 each 6" rear mounted rigid casters standard
- VCS are movable, making them ideal for leased spaces
- Drawer warmer base features stainless steel exteriors, individual thermostatic temperature controls per drawer (adjustable from 90° to 210° F), durable stainless steel tracks and bearings, humidity control and each drawer includes a removable 12" by 20" x 6" stainless steel pan.
- WVF886RW is available in 208V 3Ø or 240V 1Ø or 3Ø @ 12KW with dual, Auto-Lift 15 Lb. fryers, two full-size baskets, energy efficient flat elements, positive off thermostatic controls, manual reset safety thermostat and stainless steel fry pots.
- WVFGRW is available in 208V 1Ø or 3Ø @11.5 KW or 240V 3Ø @ 12.6KW with 18 1/2" wide heavy duty griddle and a single 15 Lb. fryer with half-size baskets, energy efficient flat elements, positive off thermostatic control, manual reset thermostat and stainless steel fry pot.
- 6-Foot cords & plugs provided on all 3Ø models

OPTIONS & ACCESSORIES

- Pre filter # 22618
- HEPA/carbon charcoal filter pack # 22619
- Rear leg kit #22649 (set of two)
- Caster set – two rigid rear casters # 22650
- Full Size Fryer Baskets (20162), Half Size Fryer Baskets (20161)
- Fry Pot (20169) & Crumb Cradle (20690)

CERTIFICATIONS





Over 90 Years Of Quality Foodservice Products And Service

VCS 2000 - Ventless Cooking Systems Drawer Warmer Base With Dual Fryers or Combination Fryer & Griddle Tops

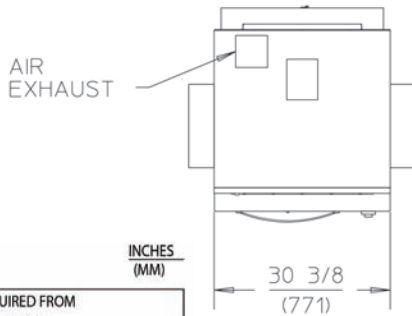
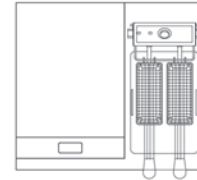
MODELS □ WVVF886RW □ WVVFGRW

NOTE: Specifications are subject to change without notice.

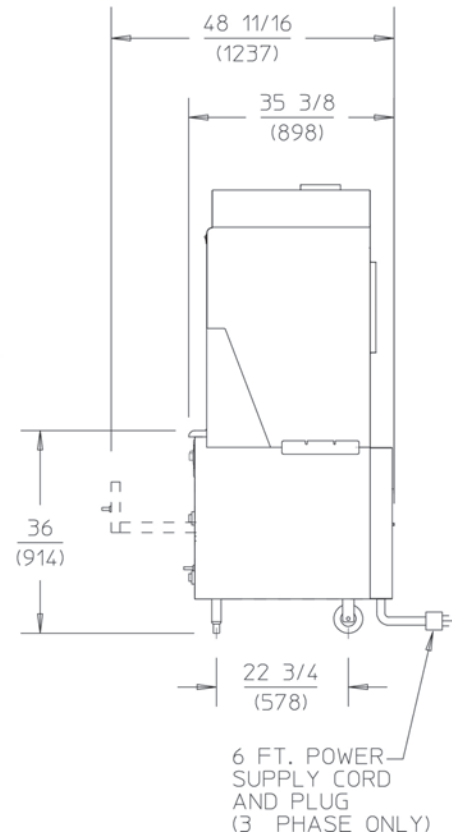
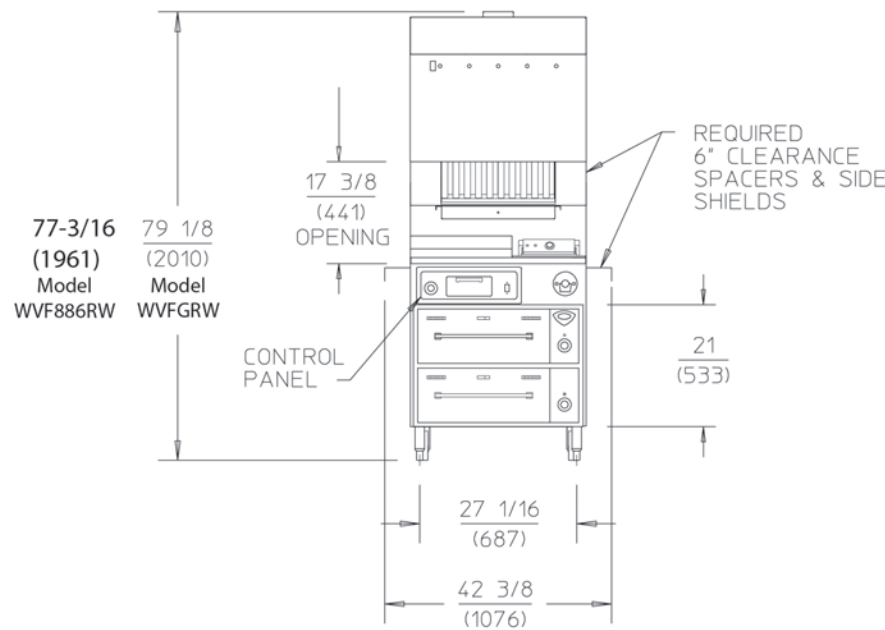
SPECIAL ENVIRONMENTAL NOTICE: The hood system is designed to reduce odor emissions but will not eliminate odors. Air exchange at the installation site must comply with requirements of the local jurisdictional authority. To ensure dilution of odor build-up, minimum recommendation is 400 cubic feet of fresh air per minute both in and out of the area.

COOKING SURFACE ILLUSTRATION

GRIDDLE: 17 1/4 X 18 1/4



MINIMUM CLEARANCE REQUIRED FROM UNIT TO THE NEAREST SURFACE.			
BACK NA NA	SIDE See required spacers	BOTTOM 6 (152)	TOP 8 (203)



Model Number	W x D x H	Voltage & Phase	Watts	Amps Single Phase	Amps Per Line 3Phase			NEMA (3 phase only)	Weight (Shipping)
					L1	L2	L3		
WVVF886RW	42-3/8" x 35-3/8" x 77-3/16" 1076mm x 899mm x 1961mm	208V 3Ø 240V 1Ø or 3Ø	12,000 12,000	58 50	37	32	37	NEMA 15-60P NEMA 15-60P	696
					29	28	29		
WVVFGRW	42-3/8" x 35-3/8" x 79-1/8" 1076mm x 899mm x 2010mm	208V 1Ø or 3Ø 240V 3Ø	11,500 12,600	55 53	32	43	26	NEMA 15-60P NEMA 15-60P	738
					28	40	27		

Due to periodic changes in designs, methods, procedures, policies and regulations, the specifications contained in this sheet are subject to change without notice. While Wells exercises good faith efforts to provide information that is accurate, we are not responsible for errors or omissions in information provided or conclusions reached as a result of using the specifications. By using the information provided, the user assumes all risks in connection with such use.



Wells Bloomfield • 10 Sunnen Dr. St. Louis, MO 63143 U.S.A.
Phone: (314) 678-6314 • Fax (314) 781-5445
www.wellsbloomfield.com • Printed in the U.S.A.

NOTE: Specifications are subject to change without notice and are not intended for installation purposes. See installation instructions prior to installing the unit.