



C-80BAJ-(AD)DS

Self-Contained Cubelet Ice Machine with Built-In Storage Bin



C-80BAJ-(AD)DS
05/14/18
Item # 13229

Item #: _____
Project: _____
Qty: _____
AIA#: _____

W x D x H
C-80BAJ / C-80BAJ-DS
14⁷/₈" x 22⁵/₈" x 33¹/₂"
Shipping Dimensions 20³/₄" x 30¹/₂" x 40"

C-80BAJ-AD / C-80BAJ-ADDS
14⁷/₈" x 22⁵/₈" x 31¹/₂"
Shipping Dimensions 20³/₄" x 30¹/₂" x 38"

* not including handle

(-AD) - ADA Compliant 

(-DS) - Customized Cabinet Door System



C-80BAJ
Air-Cooled
(Shown)

C-80BAJ-AD
Air-Cooled
ADA Compliant Unit



C-80BAJ-DS*
with Custom Cabinetry
(Shown)

C-80BAJ-ADDS*
Air-Cooled
ADA Compliant Unit

*Customer responsible for providing cabinetry



ISO9001-ISO14001



Features

- ▶ Full length stainless steel door handle
- ▶ UL approved for outdoor use
- ▶ Undercounter design

- Up to 80 lbs. of ice production per 24 hours
- Up to 22 lbs. of built-in storage capacity
- Power switch accessible without panel removal
- Less than 34 inches tall (C-80BAJ, C-80BAJ-DS)
- Less than 32 inches tall; ADA Compliant (C-80BAJ-AD, C-80BAJ-ADDS)
- Easily disassembled water circuit for easy cleaning
- Front in and out airflow
- Equipped with 6 ft. Cord with NEMA 5-15 Plug
- R-134A Refrigerant

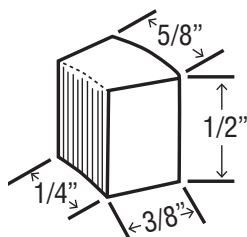
Warranty:

2 Year Parts & Labor on entire machine.
1 Year Parts & Labor on HS-5061 Drain Pump Assembly.
Valid in United States, Canada, Puerto Rico and U.S. Territories. Contact factory for warranty in other countries.

Condenser	Model	ICE PRODUCTION		WATER USAGE		ELECTRICAL				Type of Ice (Hardness Rating)	Heat Rejection BTU/hr.	Refrigerant Charge Amount	Net / Ship Weight (lbs.)
		Air / Water Temp Lbs. per 24 hours 70°/50°F 90°/70°F		Potable Gal. per 100 lbs. 90°/70°F	Condenser Gal. per 100 lbs. 90°/70°F	kWh Used per 100 lbs. 90°/70°F	Max. Fuse Sz or HACR Circuit Bkr	Amperage	Voltage				
Air	C-80BAJ(-DS)	80	45	12.0	N/A	17.3	15A	4.0A	115V/60/1	Cubelet (82)	1,850	3.92 oz	118 / 130
Air	C-80BAJ-AD(-DS)	80	45	12.0	N/A	17.3	15A	4.0A	115V/60/1	Cubelet (82)	1,850	3.92 oz	118 / 130

Power cord included

Mini Cubelet Dimensions*



* approximate size in inches, image not to scale

Operating Limits

- Ambient Temp Range 45 - 100°F
- Water Temp Range 45 - 90°F
- Water Pressure 7 - 113 PSIG
- Voltage Range 104-127V

Service

- Allow enough clearance at rear for water and drain connections with 15" (38 cm) clearance in the front.
- Location must provide a firm and level foundation.
- Do not place near ovens, grills or other high heat producing equipment.

Parts

- Optional Side Trim Kit: HS-0182
- Optional Top Trim Kit: HS-2133
- Optional Drain Pump Assembly: HS-5061
- Water filter: H9320-51

Plumbing

- Icemaker Water Supply Line: Minimum 1/4" Nominal ID Copper Water Tubing or Equivalent
- Icemaker Drain Line: Minimum 1/2" Nominal ID Hard Pipe or Equivalent

Water Filter

Please refer to water filter spec sheet for recommended configurations.

Hoshizaki reserves the right to change specifications without notice.



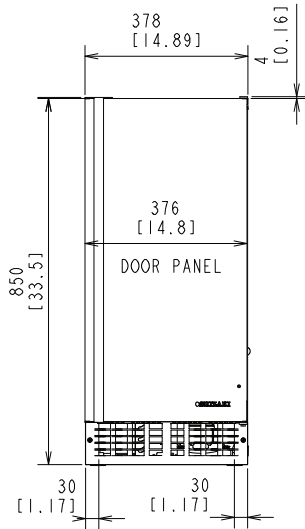
C-80BAJ-(AD)DS

Self-Contained Cubelet Ice Machine
with Built-In Storage Bin

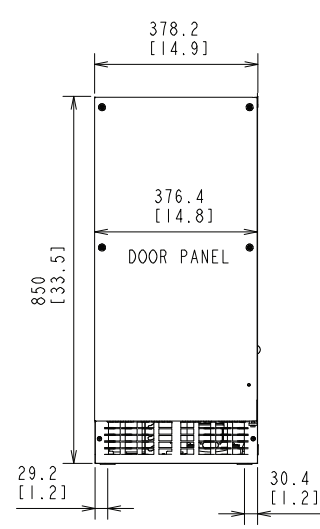


C-80BAJ-(AD)DS
05/14/18
Item # 13229

FRONT VIEW



C-80BAJ*

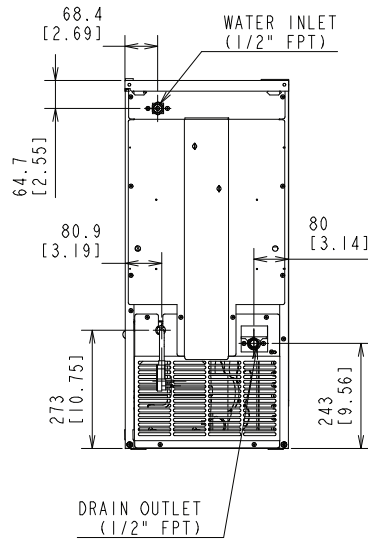


C-80BAJ-DS*

mm
[inch]

* -AD models have height of 31.5"

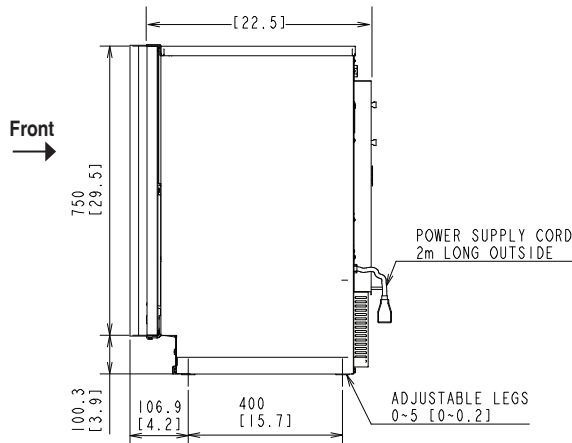
REAR VIEW



C-80BAJ-(DS)*

* -AD models have height of 31.5"

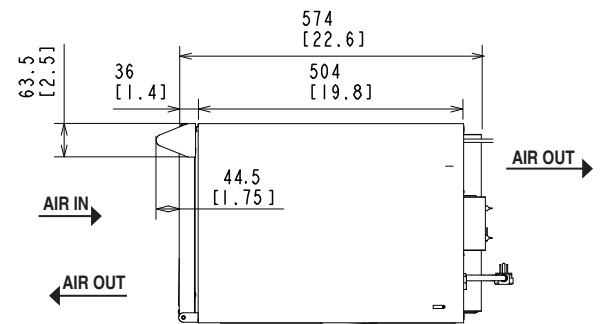
SIDE VIEW



C-80BAJ*

* -AD models have height of 31.5"

TOP VIEW



C-80BAJ*