



# CRMR27-LP

## Commercial Series Undercounter Refrigerator



CRMR27-LP  
04/03/17  
Item # 13328

**W x D x H**  
27" x 30" x 32.25"\*  
\*with 2.25" casters

CRMR27-LP★



### Dimensions / Capacity

	One Section CRMR27-LP
Interior Storage Capacity (CF)	7.2 ft <sup>3</sup>
Interior Storage Capacity (CF) (AHAM)	6.22 ft <sup>3</sup>
Overall Width x Depth (including 1" bumper)	27" x 31"
Height (including 2.25" casters)	32.25"
Door Opening Width x Height	22.6" x 22.9"
Depth with Door Open at 90° (including 1" bumper)	55.5"
Adjustable Shelves	1
Shelf Dimensions (W x D)	22.0" x 16.0"
Crated Shipping Weight	156 lbs.
Crated Width x Depth x Height	31.5" x 34" x 36.4"

### Electrical / Refrigeration

	One Section CRMR27-LP
Voltage	115/60/1
HACR Breaker	15.0 Amps ⚡
Electrical Connection (NEMA)	5-15P
Voltage Range	104-126
Ambient Temp. Range	45° to 100°F
Control Setpoint Range	32° to 52°F
Amperage	2.6
Energy Consumption (kWh/day) @ASHRAE	.65
Heat Rejection (BTU/Hr.) @NSF	180
Approx. Nominal Compres. BTU/HR (HP)	1029(1/6HP)
Refrigerant / Charge Amount (oz)	R-134a (5.6 oz)

### Options

- Additional epoxy shelves
- Cylinder locks -01 (Factory installed)

### Warranty

- \* 3 Year - parts and Labor on entire machine.
  - 5 Year - Parts on Compressor
- Valid in United States, Canada, Puerto Rico and U.S. Territories. Contact factory for warranty in other countries.

Item #: \_\_\_\_\_

Project: \_\_\_\_\_

Qty: \_\_\_\_\_

AIA#: \_\_\_\_\_

## Features

- ▶ **Stainless steel exterior front, sides and top**
  - ▶ **Stainless Steel interior sides and back with stainless steel interior floor**
  - ▶ **Meets ADA requirements**
- Stainless steel exterior door with ABS interior liner
  - Cabinet and door are insulated with 2" of CFC free, foamed in place polyurethane
  - Innovative air distribution system distributes air evenly to maintain product temperature
  - Exclusive "stepped" door design to protect door gasket
  - Spring assisted self-closing door with stay open feature
  - Extruded aluminum flush mount door handle
  - Field reversible door
  - Magnetic door gasket is easily removable for cleaning
  - Enamel coated evaporator coil
  - Anodized aluminum shelf supports adjustable in 1/2" increments
  - Standard with 2.25" casters (two with brakes)
  - Three year parts and labor warranty
  - Five year compressor warranty
  - 8 ft. cord and plug



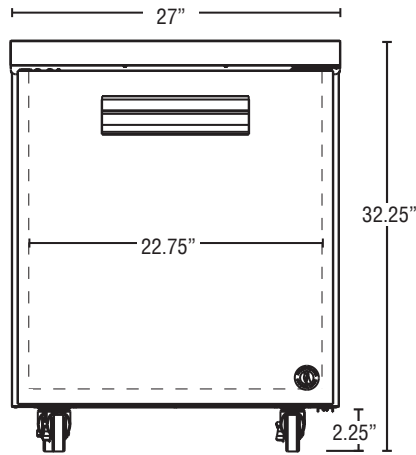
# CRMR27-LP

## Commercial Series Undercounter Refrigerator



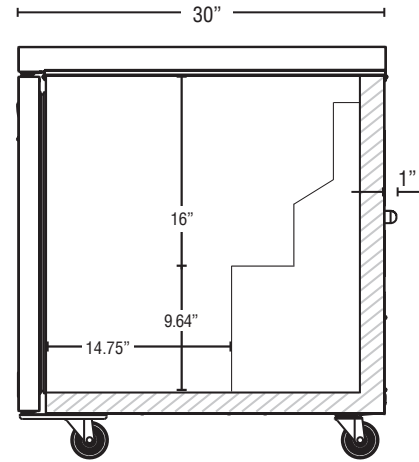
CRMR27-LP  
04/03/17  
Item # 13328

### FRONT VIEW



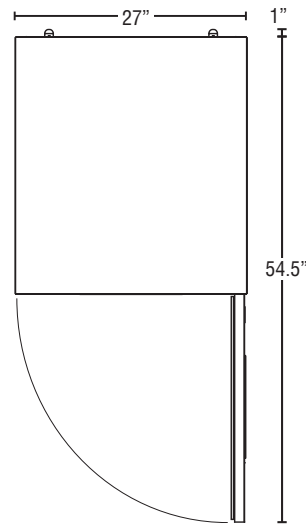
CRMR27-LP

### SIDE VIEW



CRMR27-LP

### PLAN VIEW



CRMR27-LP

#### Cabinet Construction

The exterior cabinet top, front, and sides, are constructed of high quality stainless steel. The exterior back and bottom are constructed of coated steel. The cabinet interior back and sides are stainless steel with an ABS ceiling and stainless steel floor. One heavy duty epoxy coated shelf per section is standard. Mounted on anodized aluminum pilasters the shelf is adjustable in 1/2" increments. Cabinet walls and doors are insulated with 2" of environmentally friendly, CFC free, foamed in place polyurethane. 2.25" polyolefin, stem casters (two with brakes) are standard.

#### Door Construction

Door is constructed of high grade stainless steel exterior with an ABS interior liner. Hoshizaki's exclusive "stepped" design protects the gasket while product is removed from the cabinet. Door is provided with a one piece, extruded aluminum, flush mount handle. Spring assisted self-closing door is equipped with a stay open feature past 90 degrees. Snap-in magnetic door gasket is durable and easily removed for cleaning. Field reversible door hinging is standard.

#### Refrigeration System

The high efficiency refrigeration system is self-contained with an enamel coated evaporator for extended life. Condensate removal is accomplished with an energy efficient non-electric evaporation system. A capillary tube controls the flow of environmentally friendly R-134A refrigerant through the evaporator. Refrigeration system utilizes an "off cycle" defrost to eliminate any ice on the evaporator coil. 115 volt units are equipped with an eight foot cord and plug (20.0 amps or less).

Printed in the U.S.A.