



# CRMR48-WD4

## Commercial Series Worktop Refrigerator with Drawers



CRMR48-WD4  
04/13/17  
Item # 13334

**W x D x H**  
48" x 30" x 40"\*  
\*with 6" casters

**CRMR48-WD4**



### Dimensions / Capacity

### Two Section CRMR48-WD4

<b>Interior Storage Capacity (CF)</b>	13.66 ft <sup>3</sup>
<b>Interior Storage Capacity (CF) (AHAM)</b>	11.95 ft <sup>3</sup>
<b>Overall Width x Depth (including 1" bumper)</b>	48" x 31"
<b>Height (including 6" casters)</b>	40"
<b>Door Opening Width x Height</b>	19.5" x 22.9"
<b>Depth with Drawer Fully Open (including 1" bumper)</b>	50.25"
<b>Pan Capacity</b>	(1) 1/2 size and (1) 1/3 size, 6" deep
<b>Crated Weight</b>	263 lbs.
<b>Crated Width x Depth x Height</b>	52.5" x 34" x 40.5"

### Electrical / Refrigeration

### Two Section CRMR48-WD4

<b>Voltage</b>	115/60/1
<b>HACR Breaker</b>	15.0 Amps
<b>Electrical Connection (NEMA)</b>	5-15P Ⓢ
<b>Voltage Range</b>	104-126
<b>Ambient Temp. Range</b>	45° to 100°F
<b>Control Setpoint Range</b>	32° to 52°F
<b>Amperage</b>	2.6
<b>Energy Consumption (kWh/day) @NSF</b>	2.3
<b>Heat Rejection (BTU/Hr.) @NSF</b>	327
<b>Approx. Nominal Compres. BTU/HR (HP)</b>	1029(1/6HP)
<b>Refrigerant / Charge Amount (oz)</b>	R-134a (5.6 oz)

### Options

### Warranty

- 2.25" Casters
- 4" Casters
- 6" Legs
- Overshelves
- Stainless steel back

\* 3 Year - parts and Labor on entire machine.  
5 Year - Parts on Compressor  
Valid in United States, Canada, Puerto Rico and U.S. Territories. Contact factory for warranty in other countries.

Item #: \_\_\_\_\_  
Project: \_\_\_\_\_  
Qty: \_\_\_\_\_  
AIA#: \_\_\_\_\_

## Features

- ▶ Engineered to maintain NSF-7 temperatures in 100°F ambient. (Certified to NSF-7 temperatures in 86°F ambient.)
- ▶ Stainless steel exterior front, sides, and top with stainless steel interior sides, back, and floor
- ▶ Front breathing air flow design
  - Cabinet and drawers are insulated with 2" CFC free, foamed in place polyurethane
  - Drawer slides are constructed of 16 gauge stainless steel with acetal rollers
  - Drawers will accommodate (1) 1/2 and (1) 1/3 size pans, 6" deep (pan by others)
  - Extruded aluminum flush mount drawer handle
  - Magnetic drawer gasket is easily removable for cleaning
  - Enamel coated evaporator coil
  - Standard with 6" casters (two with brakes)
- Three year parts and labor warranty
- Five year compressor warranty
- 8 ft. cord and plug



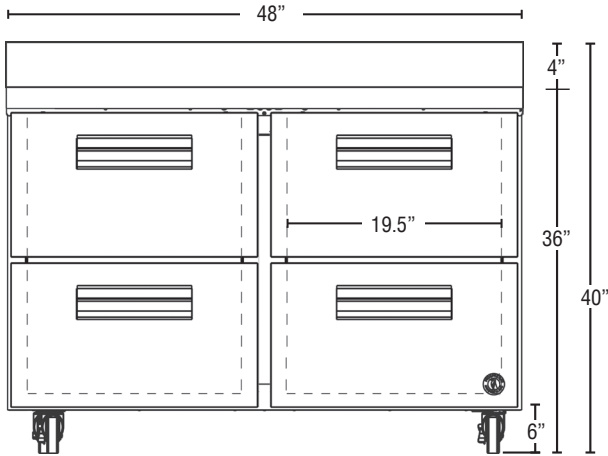
# CRMR48-WD4

Commercial Series Worktop Refrigerator with Drawers



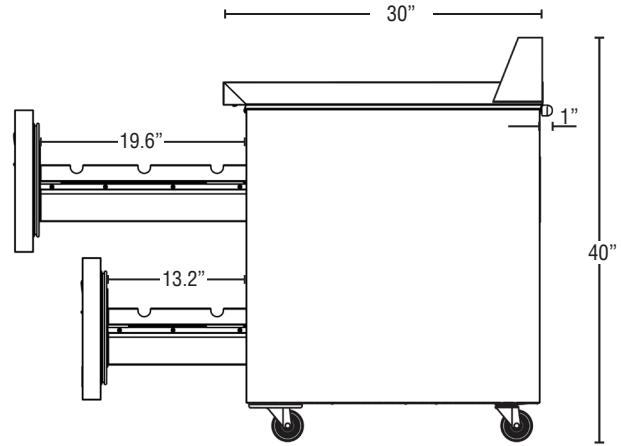
CRMR48-WD4  
04/13/17  
Item # 13334

## FRONT VIEW



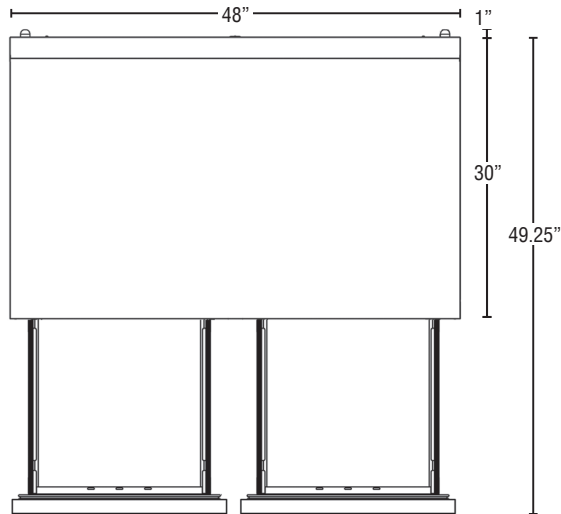
CRMR48-WD4

## SIDE VIEW



CRMR48-WD4

## PLAN VIEW



CRMR48-WD4

### Cabinet Construction

The exterior cabinet top, front, and sides, are constructed of high quality stainless steel. The exterior back and bottom are constructed of coated steel. The cabinet interior features stainless steel back, sides, and floor with an ABS top. One heavy duty epoxy coated shelf per section is standard. Mounted on anodized aluminum pilasters the shelves are adjustable in 1/2" increments. Cabinet walls and doors are insulated with 2" of environmentally friendly, CFC free, foamed in place polyurethane. 6" polyolefin, stem casters (two with brakes) are standard.

### Drawer Construction

Drawer fronts are constructed of high grade stainless steel inside and out and are insulated with R-134a CFC free foamed in place polyurethane. Each drawer accommodates (1) 1/2 size and (1) 1/3 size pan per drawer, 6" deep (pans by others). Drawer frames are formed of 14 gauge stainless steel and securely fastened in the cabinet. The drawer slides are 16 gauge stainless steel with acetal rollers to prevent metal to metal contact between the drawer slides and reduce wear. The drawer slides have a dynamic load capacity of 175 lbs. and have been life tested (fully loaded) three hundred thousand openings and closings without showing significant wear. The flush mount handles are constructed of extruded aluminum. Snap-in magnetic drawer gaskets are durable and easily removed for cleaning.

### Refrigeration System

The high efficiency refrigeration system is self-contained with an enamel coated evaporator for extended life. Condensate removal is accomplished with an energy efficient non-electric evaporation system. A capillary tube controls the flow of environmentally friendly R-134a refrigerant through the evaporator. Refrigeration system utilizes an "off cycle" defrost to eliminate any ice on the evaporator coil. 115 volt units are equipped with an eight foot cord and plug (20.0 amps or less).

Printed in the U.S.A.