



# DM-200B

## ICE AND WATER DISPENSER



DM-200B  
02/21/19  
Item # 13051

Item #: \_\_\_\_\_  
Project: \_\_\_\_\_  
Qty: \_\_\_\_\_  
AIA#: \_\_\_\_\_

### Features

- ▶ Durable stainless steel exterior
- ▶ Unique auger agitator design dispenses individual cubes
- ▶ Accommodates ice machine or manual fill

- Built-in storage capacity of 5.72ft<sup>3</sup>/200 lbs.\*
- Dispenses ice and water with the touch of a button
- Dispenses 7.5 lbs. of ice per minute
- Dispenses ice and water
- 8 ft. power cord with NEMA 5-15P plug
- Optional 4" legs

#### Warranty:

3 Year Parts & Labor on entire machine. Valid in United States, Canada, Puerto Rico and U.S. Territories. Contact factory for warranty in other countries.

\* Capacity based on volume x 30 lb/ft<sup>3</sup> average density of ice.

**W x D x H**  
30" x 28" x 36<sup>3/8</sup>"

**SD-200**  
30" x 28" x 32<sup>13/16</sup>"

**DM-200B**  
Shown with optional  
KML-500MAJ Ice Machine



Model	Exterior Dimensions	Interior Dimensions	Agitator	Max. Fuse Size or HACR Circuit Breaker	Amperage	Voltage	Shipping Weight
DM-200B	30 <sup>3/10</sup> " x 28" x 36 <sup>3/8</sup> "	23" x 22 <sup>3/8</sup> " x 22 <sup>1/2</sup> "	14.5" diameter	15A	4.1A	115V/60/1	240 lbs.

Power cord included.

### Operating Limits

- Ambient Temp Range 45 - 100°F
- Water Temp Range 45 - 90°F
- Water Pressure 10 - 113 PSIG
- Voltage Range 104 - 132V

### Options

- 4" leg kit
- Top Kit (HS-2036) - to accommodate KM-340, KM-515M, or KM-650M ice machines

### Service

- If dispenser is to be permanently installed, allow a minimum clearance of 6" (15 cm) on the right side, for access to service the drive mechanism. Allow a minimum clearance of 24" (60 cm) above the dispenser for easy filling with ice.
- Panels easily removed and all components accessible for service.

### Plumbing

- Water supply line: Minimum 1/8" Nominal ID Copper Water Tubing or Equivalent
- Drain line: Minimum 3/4" Nominal ID Hard Pipe or Equivalent



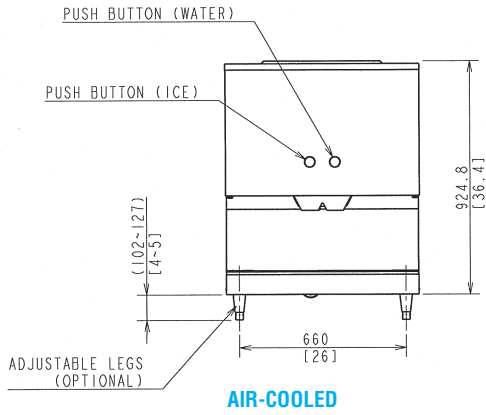
# DM-200B

## ICE AND WATER DISPENSER



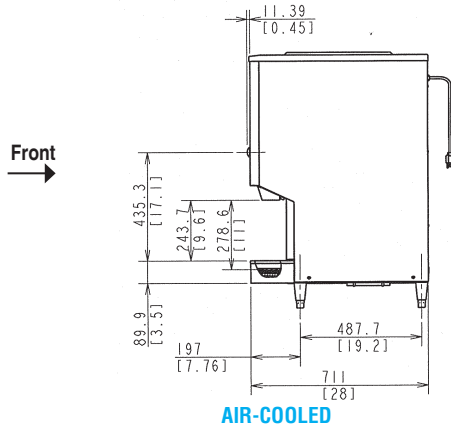
DM-200B  
02/21/19  
Item # 13051

FRONT VIEW

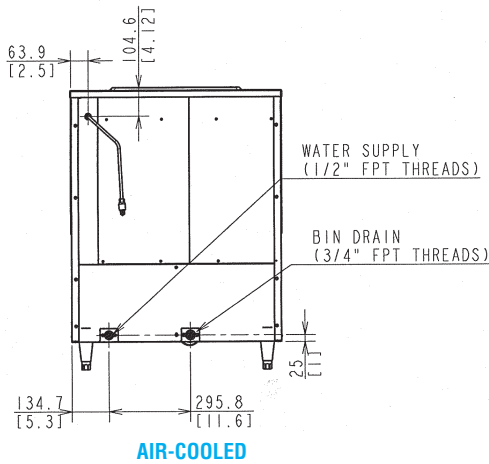


mm  
[inch]

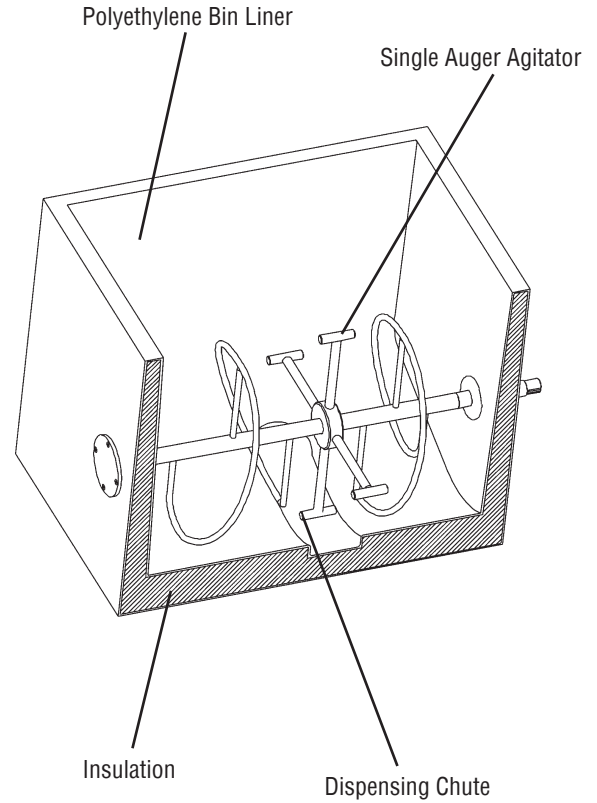
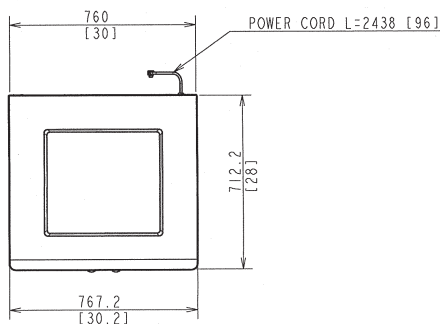
SIDE VIEW



REAR VIEW



TOP VIEW



Unique auger agitator design dispenses individual cubes.