



F-1501M_J(-C)

Modular Ice Machine Slim-Line Series



F-1501M_J(-C)
07/10/19
Item # 13339

W x D x H
30" x 27^{3/8}" x 34^{7/16}"

Shipping Dimensions
32" x 34^{3/4}" x 40"

F-1501MAJ
Air-Cooled Flaker
Shown on optional bin B-900

F-1501MWJ
Water-Cooled Flaker

F-1501MRJ
Remote Air-Cooled Flaker


F-1501MAJ-C
Air-Cooled Cubelet

F-1501MWJ-C
Water-Cooled Cubelet

F-1501MRJ-C
Remote Air-Cooled Cubelet



Features

- ▶ Durable stainless steel exterior
- ▶ Advanced CleanCycle24™ design 
- ▶ Stainless steel auger with greaseless bearing

- Flaker - Up to 1705 lbs. of ice production per 24 hours
- Cubelet - Up to 1376 lbs. of ice production per 24 hours
- Mount two units, side-by-side, in only 60" of floor space for double the amount of ice production
- 2 second flush cycle every hour
- Flush cycle removes sediment for cleaner ice
- Infrared bin control for easy cleaning and reliability
- R-404A Refrigerant

Available on Bins:

B-250PF B-700PF/SF B-900PF/SF B-1300SS B-1650SS
B-500PF/SF B-800PF/SF B-1150SS B-1500SS

Top kit may be required. See Bin Spec Sheets.

Warranty:

3 Year Parts & Labor on entire machine. 5 Year Parts on Compressor; air-cooled condenser coil. Valid in United States, Canada, Puerto Rico and U.S. Territories. Contact factory for warranty in other countries.



Condenser	Model	ICE PRODUCTION		WATER USAGE		ELECTRICAL*							
		Air / Water Temp 70°/ 50°F	90°/ 70°F	Potable Gal. per 100 lbs. 90°/ 70°F	Condenser Gal. per 100 lbs. 90°/ 70°F	kWh Used per 100 lbs. 90°/ 70°F	Max. Fuse Size or HACR Circuit Breaker	Amperage	Voltage	Circuit Wires (including ground)	Heat Rejection BTU/hr.	Refrigerant Charge Amount	Net / Ship Weight (lbs.)
Air	F-1501MAJ	1543	1154	12.0	N/A	4.00	20A	15.9A	208-230/60/1	4	12,300	2 lbs. 5 oz.	300 / 325
Water	F-1501MWJ	1624	1410	12.0	105	3.20	20A	15.4A	208-230/60/1	4	12,900	1 lb. 4.5 oz.	300 / 325
Remote	F-1501MRJ	1705	1370	12.0	N/A	3.44	20A	18.4A	208-230/60/1	4	12,300	4 lb. 6.5 oz. 9 lbs. 9 oz.†	300 / 325
Air	F-1501MAJ-C	1327	1020	12.0	N/A	4.61	20A	15.A	208-230/60/1	4	12,300	2 lbs. 5 oz.	300 / 325
Water	F-1501MWJ-C	1376	1218	12.0	123	3.76	20A	15.4A	208-230/60/1	4	12,800	1 lb. 4.5 oz.	300 / 325
Remote	F-1501MRJ-C	1335	1125	12.0	N/A	4.35	20A	18.4A	208-230/60/1	4	12,300	4 lb. 6.5 oz. 9 lbs. 9 oz.†	300 / 325

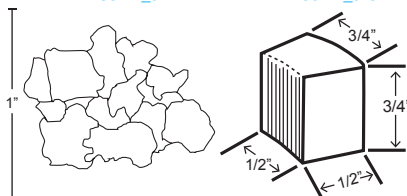
*If a dedicated neutral is not available, transformer kit (HS-5030) is sold as an accessory or a dedicated neutral needs to be pulled to the unit.

†(with condenser)
Ice machines must be hard-wired at site.

Cube Dimensions*

Flaked
F-1501M_J

Cubelet
F-1501M_J-C



* approximate size in inches, image not to scale

Operating Limits

- Ambient Temp Range 45 - 100°F
- Water Temp Range 45 - 90°F
- Water Pressure 10 - 113 PSIG
- Voltage Range 187-253V

Service

- Panels easily removed and all components accessible for service.
- Removable/cleanable air filter (Air-cooled model only)
- Allow 6" (15 cm) clearance at rear and sides, and 24" (61 cm) clearance at top for proper air circulation and ease of maintenance/service.

Plumbing

- Icemaker Water Supply Line: Minimum 1/4" Nominal ID Copper Water Tubing or Equivalent
- Icemaker Drain Line: Minimum 3/4" Nominal ID Hard Pipe or Equivalent
- Water-Cooled Model (Lines Must Be Independent of Icemaker)
- Condenser Water Supply Line: Minimum 1/4" Nominal ID Copper Water Tubing or Equivalent
- Condenser Drain/Return Line: Minimum 1/4" Nominal ID Hard Pipe (open drain system) or Copper Water Tubing (closed loop system) or Equivalent

Hoshizaki reserves the right to change specifications without notice.



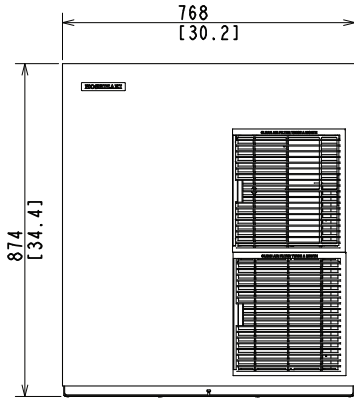
F-1501M_J(-C)

Modular Ice Machine Slim-Line Series

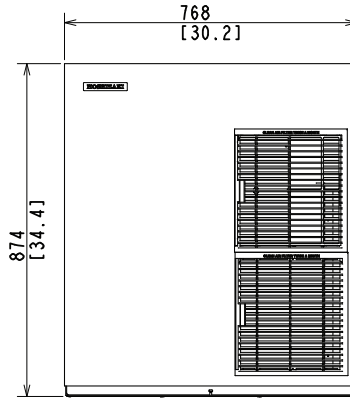


F-1501M_J(-C)
07/10/19
Item # 13339

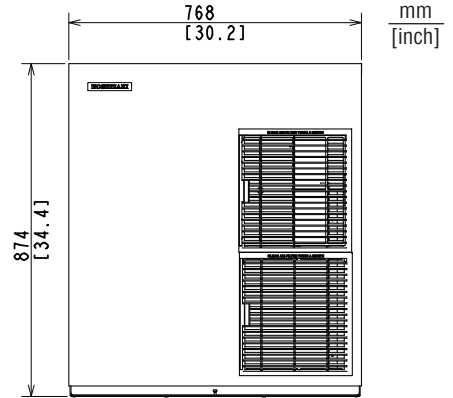
FRONT VIEW



AIR-COOLED

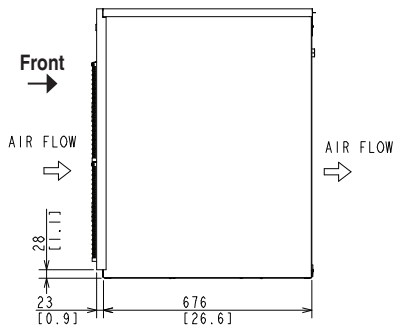


WATER-COOLED

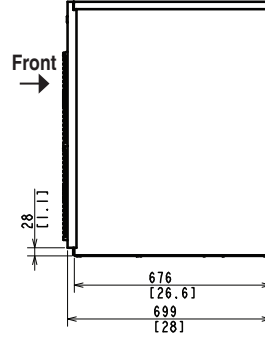


REMOTE AIR-COOLED

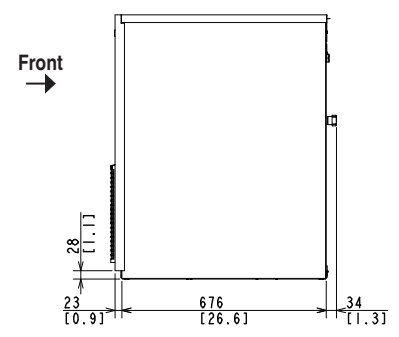
SIDE VIEW



AIR-COOLED

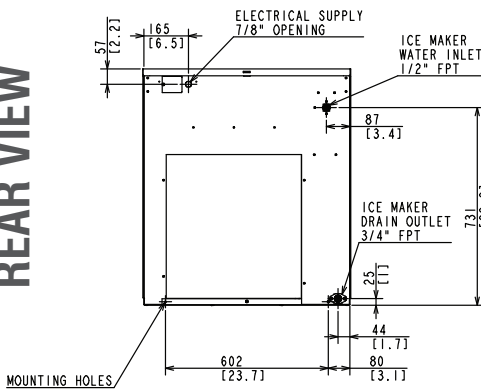


WATER-COOLED

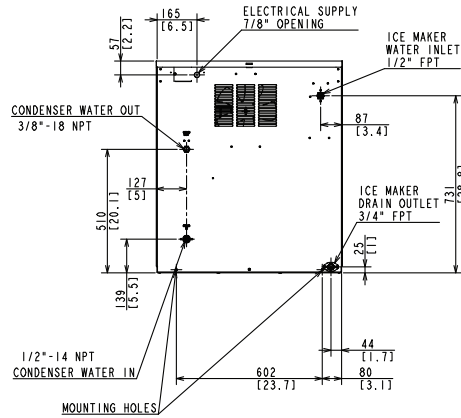


REMOTE AIR-COOLED

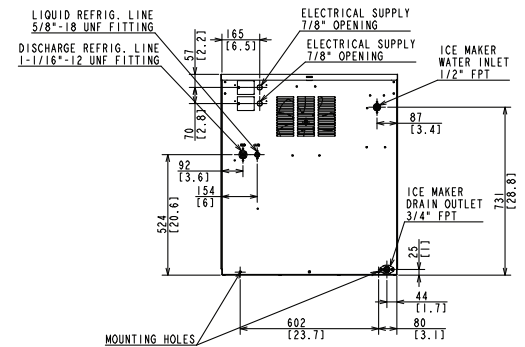
REAR VIEW



AIR-COOLED

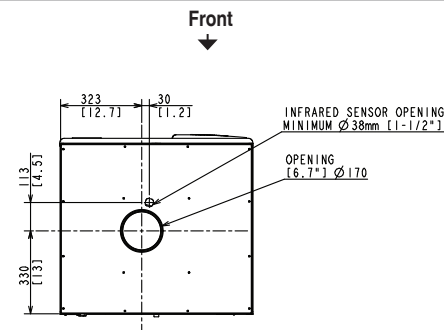


WATER-COOLED

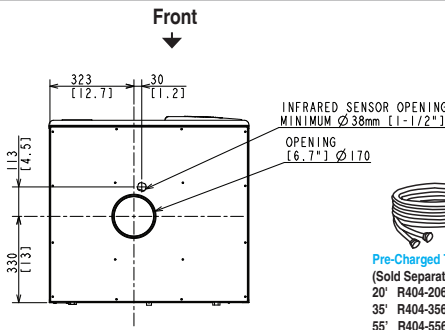


REMOTE AIR-COOLED

BOTTOM VIEW



AIR-COOLED



WATER-COOLED
REMOTE AIR-COOLED



Pre-Charged Tubing Kits
(Sold Separately)
20' R404-2068-2
35' R404-3568-2
55' R404-5568-2
Voltage supply for the URC
Remote Condenser is supplied
from the Ice Maker.
No additional circuit is required.

URC-14F Remote Condenser (Sold Separately)
(W x D x H) 35 11/16 x 14 1/16 x 36 1/2
For Use with F-1501MRJ(-C)

