



F-2001MLH

Modular Flaker Ice Machine
Low-Side Series



F-2001MLH
03/31/17
Item # 13129

W x D x H
30" x 27¹/₂" x 34⁷/₁₆"*


F-2001MLH*
Flaker Shown on
optional bin B-900




*Requires a rack system
for installation



Features

- ▶ Durable stainless steel exterior
- ▶ Advanced CleanCycle24™ design 
- ▶ Stainless steel auger with greaseless bearing

- Up to 2280 lbs. of ice production per 24 hours
- Mount two units, side-by-side, in only 60" of floor space for double the amount of ice production
- 2 second flush cycle every hour
- Flush cycle removes sediment for cleaner ice
- Protected by H-GUARD Plus Antimicrobial Agent 
- R-404A Refrigerant

Available on Bins:

B-250PF B-700PF/SF B-900PF/SF B-1300SS
B-500PF/SF B-800PF/SF B-1150SS

Top kit may be required. See Bin Spec Sheets.

Warranty:

3 Year Parts & Labor on entire machine. 5 Year Parts on Compressor; air-cooled condenser coil. Valid in United States, Canada, Puerto Rico and U.S. Territories. Contact factory for warranty in other countries.

Condenser	Model	ICE PRODUCTION		Type of Ice (Hardness Rating)	WATER USAGE		ELECTRICAL				Heat Rejection BTU/hr.	Shipping Weight	ENERGY STAR®
		Air / Water Temp Lbs. per 24 hours 70°/ 50°F 90°/ 70°F	Potable Gal. per 100 lbs. 90°/ 70°F		Condenser Gal. per 100 lbs. 90°/ 70°F	kWh Used per 100 lbs. 90°/ 70°F	Max. Fuse Size or HACR Circuit Breaker	Amperage	Voltage				
Air-Cooled	F-2001MLH	2280 1733	12.0	Flaked (69.2)	N/A	.6	15A	6.1A	115V/60/1	11,600	250 lbs.		

Cube Dimensions* Flaked F-2001MLH



* approximate size in inches, image not to scale

Operating Limits

- Ambient Temp Range 45 - 100°F
- Water Temp Range 45 - 90°F
- Water Pressure 10 - 113 PSIG
- Voltage Range 104-127V

Service

- Panels easily removed and all components accessible for service.
- Allow 6" (15 cm) clearance at rear and sides, and 24" (61 cm) clearance at top for proper air circulation and ease of maintenance/service.

Plumbing

- Icemaker Water Supply Line: Minimum 1/4" Nominal ID Copper Water Tubing or Equivalent
- Icemaker Drain Line: Minimum 3/4" Nominal ID Hard Pipe or Equivalent



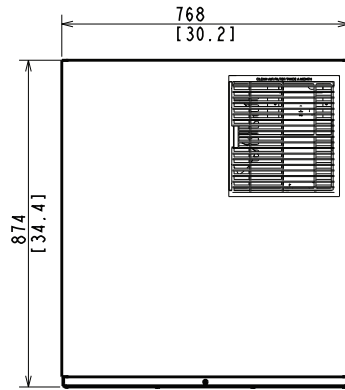
F-2001MLH

Modular Flaker Ice Machine
Low-Side Series



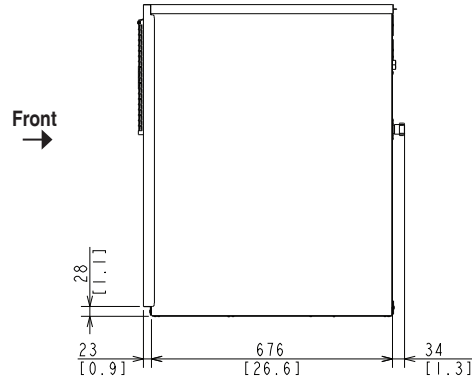
F-2001MLH
03/31/17
Item # 13129

FRONT VIEW

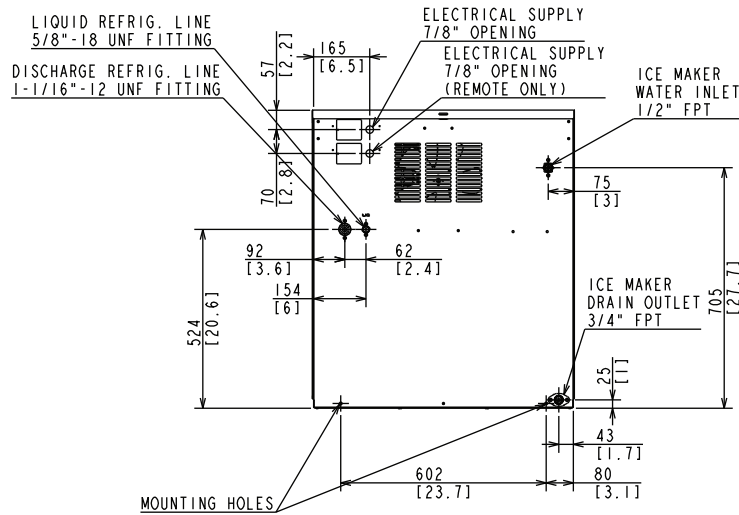


mm
[inch]

SIDE VIEW



REAR VIEW



BOTTOM VIEW

