

F-450MAH(C)

MODULAR FLAKER/CUBELET ICE MACHINE

SLIM-LINE SERIES

Item # _____

Project: _____

Qty: _____

*AutoCad available on KCL

F-450MAH(C)

8/14

Item #13133

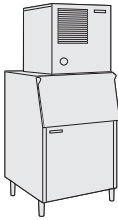
FLAKER/CUBELET DIMENSIONS

W x D x H

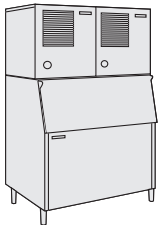
F-450MAH(C)
22 x 27^{3/8} x 21^{7/8}



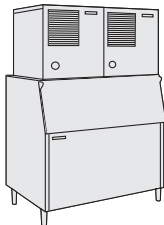
B-300



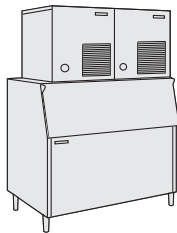
B-500



B-700



B-800

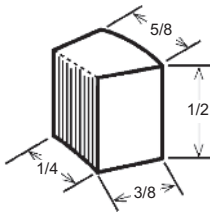


B-900

Also available on Large Bins:

- B-1150SS
- B-1300SS
- B-1500SS
- B-1650SS

CUBELET DIMENSIONS



**approximate size in inches, image not to scale



F-450MAH

Air-Cooled
Shown on an optional
B-300

F-450MAH-C

Air-Cooled

F-450MAH

- Up to 493 lbs. of ice production per 24 hours

F-450MAH-C

- Up to 431 lbs. of ice production per 24 hours

F-450MAH & F-450MAH-C

- Durable stainless steel exterior
- Advanced CleanCycle24® Design
- 2 second rinse every hour
- Removes sediment
- Cleaner ice
- Longer life and easy maintenance
- Removable air filters (Air-cooled model only)
- R-404A Refrigerant
- F-450MAH-C - not recommended for dispensing applications



ISO9001+ISO14001

Warranty

Valid in United States, Canada, Puerto Rico, & U.S. Territories. Contact factory for warranty in other countries.

Three Year - Parts & Labor on entire machine. (Serial numbers Vxxxxx) and after.)

Five Year - Parts on Compressor, air-cooled condenser coil.



F-450MAH(C) FLAKER/CUBELET ICE MACHINE SLIM-LINE SERIES

DIMENSIONS
W x D x H
F-450MAH(C)
22 x 27^{3/8} x 21^{7/8}

- Air-cooled - Flaker ice machine
- Air-cooled - Cubelet ice machine

AIR-COOLED / F-450MAH

Water Temp ° F.	50°	70°	90°
Air Temp ° F. 70°	493	475	456
Air Temp ° F. 80°	439	422	405
Air Temp ° F. 90°	390	385	360

AIR-COOLED / F-450MAH-C

Water Temp ° F.	50°	70°	90°
Air Temp ° F. 70°	431	414	397
Air Temp ° F. 80°	381	366	351
Air Temp ° F. 90°	337	332	311

UTILITY CONSUMPTION

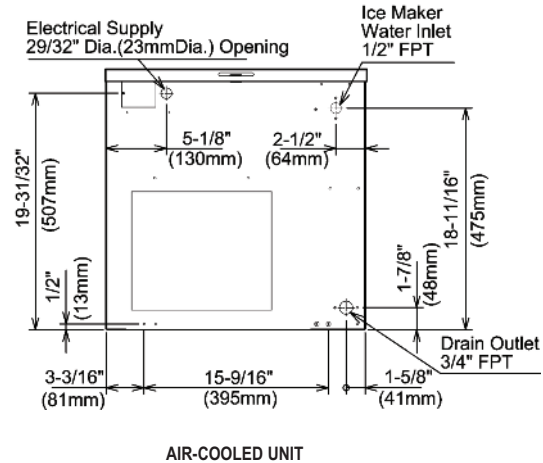
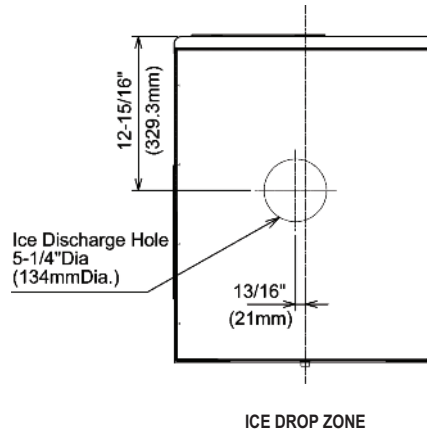
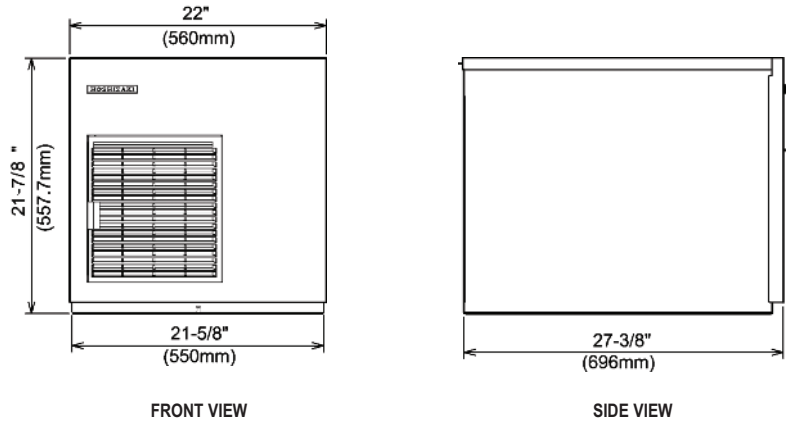
Model Number	Approximate Electrical		KWH per 100 LBS.		Potable Water Gal. per 100 lbs.
	90/70	70/50	90/70	70/50	
F-450MAH	854	802	5.35	3.90	12.0
F-450MAH-C	873	812	6.31	4.52	12.0

SPECIFICATIONS

Model Number	Condenser	Amperage	Min. Circuit Ampacity	Shipping Weight
F-450MAH	Air-Cooled	9.98	20	175 lbs.
F-450MAH-C	Air-Cooled	9.98	20	175 lbs.

STORAGE BINS

Model Number	Application Capacity	ARI-Rated Capacity
B-300	300 lbs.	260 lbs.
B-500	500 lbs.	360 lbs.
B-700	700 lbs.	550 lbs.
B-800	800 lbs.	600 lbs.
B-900	900 lbs.	660 lbs.
B-1150	1150 lbs.	N/A
B-1300	1275 lbs.	N/A
B-1500	1490 lbs.	N/A
B-1650	1605 lbs.	N/A



ELECTRICAL & PLUMBING/F-450MAH(C)

- 115V/60/1
- 20 amp Max Fuse/HACR Breaker Size
- 3/8" OD copper or equivalent independent potable water supply with 1/4" nominal ID minimum
- 3/4" FPT independent drain connection

OPERATING LIMITS

- Ambient Temp Range 45 - 100°F
- Water Temp Range 45 - 90°F
- Water Pressure 10 - 113psig
- Voltage Range 104 - 127V

SERVICE

- Panels easily removed and all components accessible for service.
- Removable/cleanable air filter (Air-Cooled model only)



© HOSHIZAKI AMERICA, INC.

618 Hwy. 74 S., Peachtree City, GA 30269

TEL 1-800-438-6087

FAX 1-800-345-1325

www.hoshizaki.com

Printed in U.S.A.

