



FD-650M_H-C

Modular Cubelet Ice Machine
Slim-Line Dispenser Series



FD-650M_H-C
01/23/18
Item # 13327

W x D x H
22" x 24" x 26"

Shipping Dimensions
32" x 26 1/2" x 39 1/2"


FD-650MAH-C
Air-Cooled
Shown on optional
Lancer 30" Dispenser


FD-650MWH-C
Water-Cooled

FD-650MRH-C ★
Remote Air-Cooled



Features

- ▶ Durable stainless steel exterior
- ▶ Advanced CleanCycle24™ design 
- ▶ Stainless steel auger with greaseless bearing

- Up to 650 lbs. of ice production per 24 hours
- 2 second flush cycle every hour
- Flush cycle removes sediment for cleaner ice
- Infrared bin control for easy cleaning and reliability
- Protected by H-GUARD Plus  Antimicrobial Agent
- R-404A Refrigerant

Available on Bins:

B-250PF B-500PF/SF B-700PF/S B-800PF/SF B-900PF/SF

Top kit may be required; See Bin Spec Sheets.

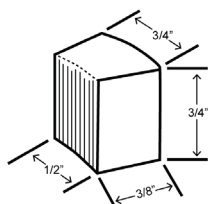
Warranty:

3 Year Parts & Labor on entire machine. 5 Year Parts on Compressor; air-cooled condenser coil. Valid in United States, Canada, Puerto Rico and U.S. Territories. Contact factory for warranty in other countries.



Condenser	Model	ICE PRODUCTION		WATER USAGE		ELECTRICAL							
		Air / Water Temp Lbs. per 24 hours 70°/ 50°F 90°/ 70°F		Potable Gal. per 100 lbs. 90°/ 70°F	Condenser Gal. per 100 lbs. 90°/ 70°F	kWh Used per 100 lbs. 90°/ 70°F	Max. Fuse Sz or HACR Circuit Bkr	Amperage	Voltage	Circuit Wires (including ground)	Heat Rejection BTU/hr.	Refrigerant Charge Amount	Net / Ship Weight (lbs.)
Air	FD-650MAH-C	650	474	12.0	N/A	5.35	20A	11.2A	115V/60/1	3	6,800	12.4 oz.	176 / 205
Water	FD-650MWH-C	615	532	12.0	125	3.81	20A	7.8A	115V/60/1	3	4,500	15 oz.	176 / 205
Remote	FD-650MRH-C	590	476	12.0	N/A	4.75	20A	10.8A	115V/60/1	3	4,900	4 lb. 1.2 oz. (with condenser)	176 / 205

Cube Dimensions*



* approximate size in inches, image not to scale

Operating Limits

- Ambient Temp Range 45 - 100°F
- Water Temp Range 45 - 90°F
- Water Pressure 10 - 113 PSIG
- Voltage Range 104-127V

Service

- Panels easily removed and all components accessible for service.
- Allow 24" (61 cm) clearance at top for removal of auger and 6" (15 cm) clearance at rear and sides for proper air circulation and ease of maintenance/service.

Plumbing

- Icemaker Water Supply Line: Minimum 1/4" Nominal ID Copper Water Tubing or Equivalent
- Icemaker Drain Line: Minimum 3/4" Nominal ID Hard Pipe or Equivalent
- Water-Cooled Model (Lines Must Be Independent of Icemaker)
- Condenser Water Supply Line: Minimum 1/4" Nominal ID Copper Water Tubing or Equivalent
- Condenser Drain/Return Line: Minimum 1/4" Nominal ID Hard Pipe (open drain system) or Copper Water Tubing (closed loop system) or Equivalent



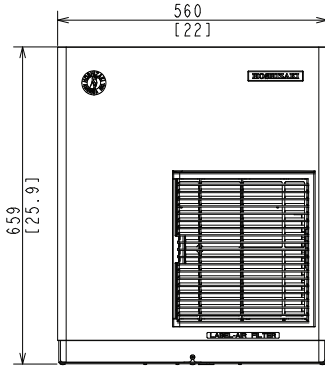
FD-650M_H-C

Modular Cubelet Ice Machine
Slim-Line Dispenser Series

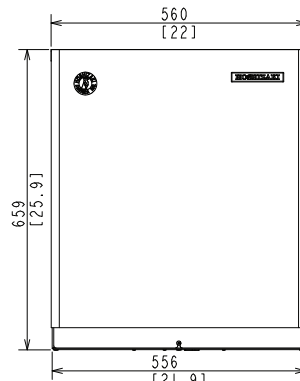


FD-650M_H-C
01/23/18
Item # 13327

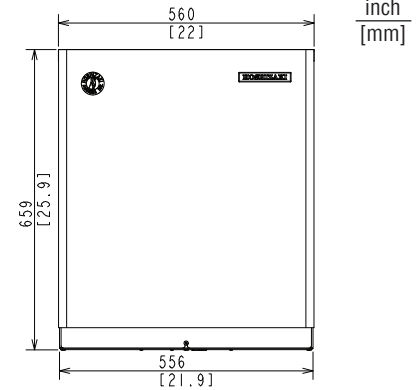
FRONT VIEW



AIR-COOLED

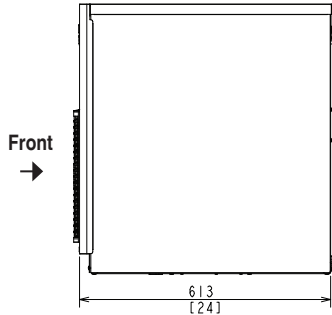


WATER-COOLED

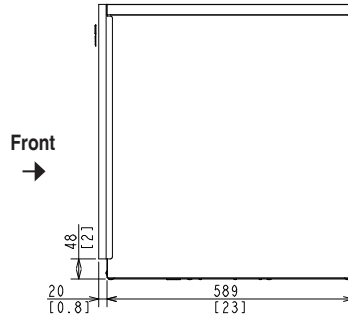


REMOTE AIR-COOLED

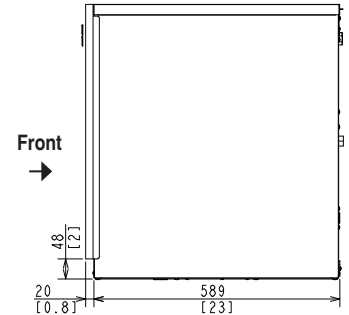
SIDE VIEW



AIR-COOLED

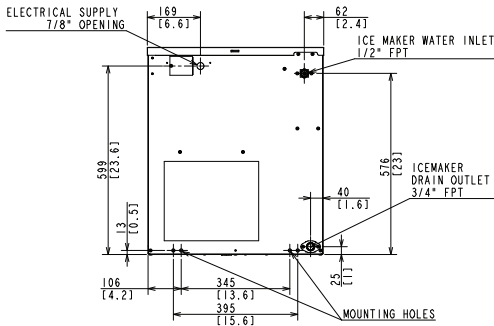


WATER-COOLED

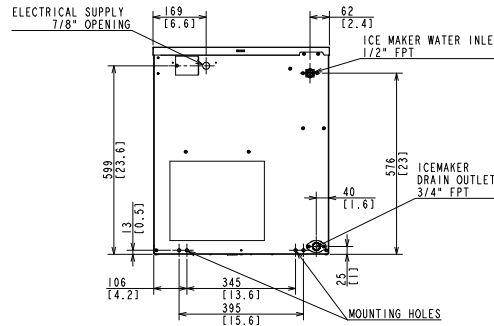


REMOTE AIR-COOLED

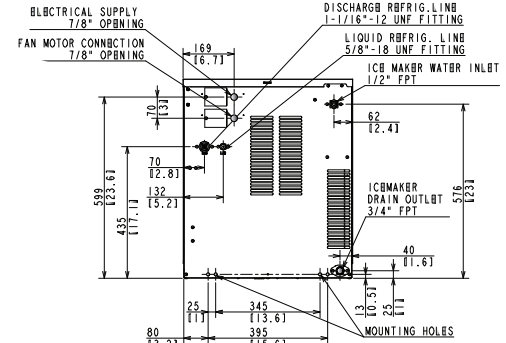
REAR VIEW



AIR-COOLED

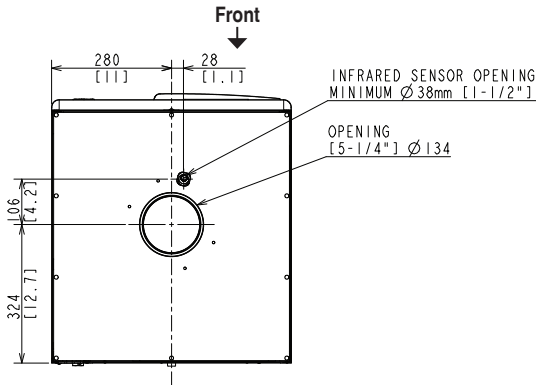


WATER-COOLED

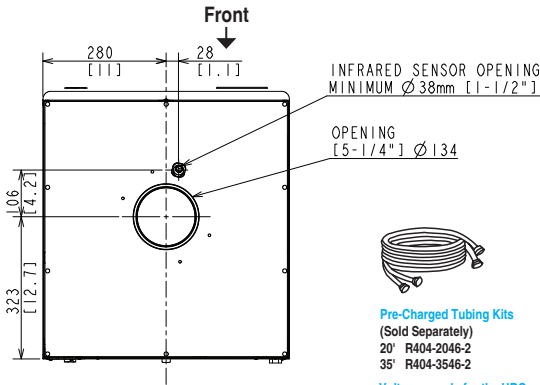


REMOTE AIR-COOLED

BOTTOM VIEW



AIR-COOLED



WATER-COOLED
REMOTE AIR-COOLED

URC-5F Remote Condenser (Sold Separately)
(W x D x H) 21 13/16 x 14 1/16 x 32 13/16
For Use with FD-650MRH-C

Pre-Charged Tubing Kits (Sold Separately)
20" R404-2046-2
35" R404-3546-2

Voltage supply for the URC Remote Condenser is supplied from the Ice Maker. No additional circuit is required.

