



# FD-650M\_H-C

Modular Cubelet Ice Machine  
Slim-Line Dispenser Series



FD-650M\_H-C  
03/31/17  
Item # 13327

W x D x H  
22" x 24" x 26"


**FD-650MAH-C** ★  
Air-Cooled  
Shown on optional  
Lancer 30" Dispenser


**FD-650MWH-C**  
Water-Cooled

**FD-650MRH-C** ★  
Remote Air-Cooled



## Features

- ▶ Durable stainless steel exterior
- ▶ Advanced CleanCycle24™ design 
- ▶ Stainless steel auger with greaseless bearing

- Up to 650 lbs. of ice production per 24 hours
- 2 second flush cycle every hour
- Flush cycle removes sediment for cleaner ice
- Infrared bin control for easy cleaning and reliability
- Protected by H-GUARD Plus Antimicrobial Agent 
- R-404A Refrigerant

### Available on Bins:

**B-250PF B-500PF/SF B-700PF/S B-800PF/SF B-900PF/SF**  
Top kit may be required; See Bin Spec Sheets.

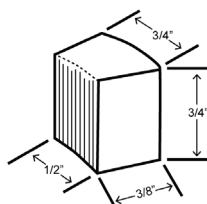
### Warranty:

3 Year Parts & Labor on entire machine. 5 Year Parts on Compressor; air-cooled condenser coil. Valid in United States, Canada, Puerto Rico and U.S. Territories. Contact factory for warranty in other countries.



Condenser	Model	ICE PRODUCTION			WATER USAGE		ELECTRICAL			Heat Rejection BTU/hr.	Shipping Weight	ENERGY STAR®	
		Air / Water Temp Lbs. per 24 hours 70°/ 50°F	90°/ 70°F	Type of Ice (Hardness Rating)	Potable Gal. per 100 lbs. 90°/ 70°F	Condenser Gal. per 100 lbs. 90°/ 70°F	kWh Used per 100 lbs. 90°/ 70°F	Max. Fuse Size or HACR Circuit Breaker	Amperage				Voltage
Water-Cooled	FD-650MAH-C	650	474	Flaked (86)	12.0	N/A	5.35	20A	11.2A	115V/60/1	6800	205 lbs.	★
Water-Cooled	FD-650MWH-C	615	532	Flaked (88)	12.0	125	3.81	20A	7.8A	115V/60/1	4500	205 lbs.	
Remote Air-Cooled	FD-650MRH-C	590	476	Flaked (88)	12.0	N/A	4.75	20A	10.8A	115V/60/1	4900	205 lbs.	★

### Cube Dimensions\*



\* approximate size in inches, image not to scale

### Operating Limits

- Ambient Temp Range 45 - 100°F
- Water Temp Range 45 - 90°F
- Water Pressure 10 - 113 PSIG
- Voltage Range 104-127V

### Service

- Panels easily removed and all components accessible for service.
- Allow 24" (61 cm) clearance at top for removal of auger and 6" (15 cm) clearance at rear and sides for proper air circulation and ease of maintenance/service.

### Plumbing

- Icemaker Water Supply Line: Minimum 1/4" Nominal ID Copper Water Tubing or Equivalent
- Icemaker Drain Line: Minimum 3/4" Nominal ID Hard Pipe or Equivalent
- Water-Cooled Model (Lines Must Be Independent of Icemaker)
- Condenser Water Supply Line: Minimum 1/4" Nominal ID Copper Water Tubing or Equivalent
- Condenser Drain/Return Line: Minimum 1/4" Nominal ID Hard Pipe (open drain system) or Copper Water Tubing (closed loop system) or Equivalent



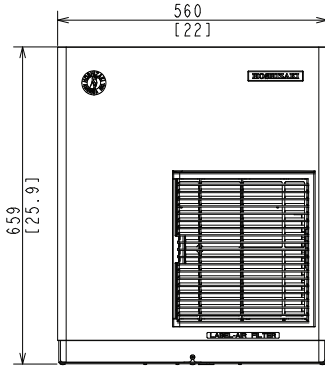
# FD-650M\_H-C

Modular Cubelet Ice Machine  
Slim-Line Dispenser Series

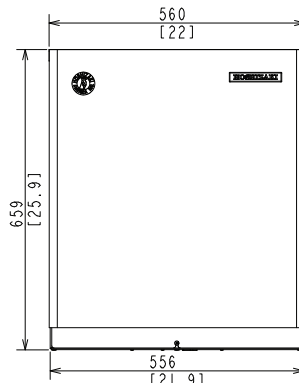


FD-650M\_H-C  
03/31/17  
Item # 13327

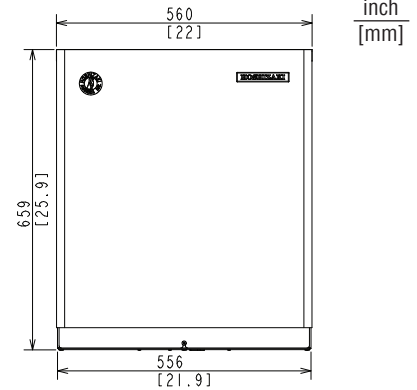
FRONT VIEW



AIR-COOLED

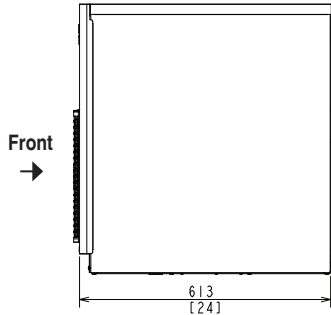


WATER-COOLED

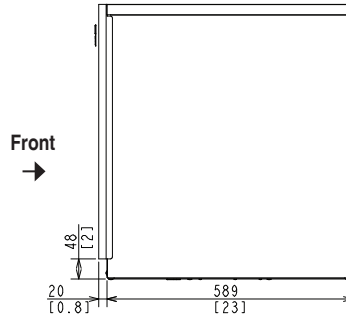


REMOTE AIR-COOLED

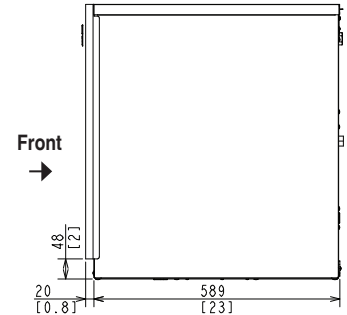
SIDE VIEW



AIR-COOLED

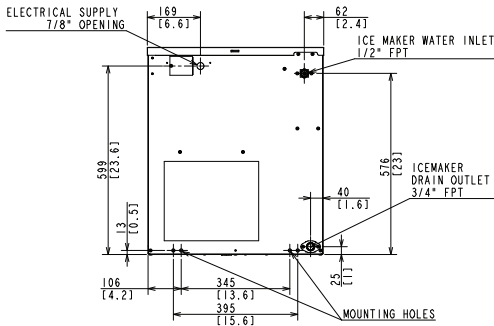


WATER-COOLED

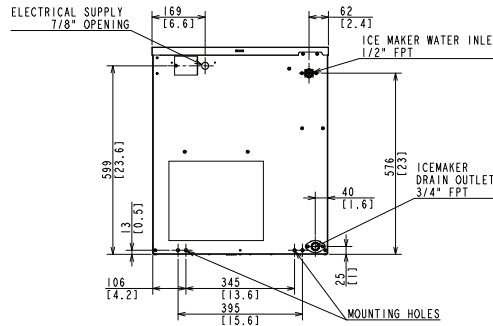


REMOTE AIR-COOLED

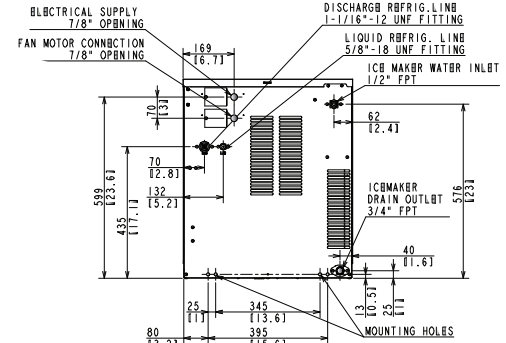
REAR VIEW



AIR-COOLED

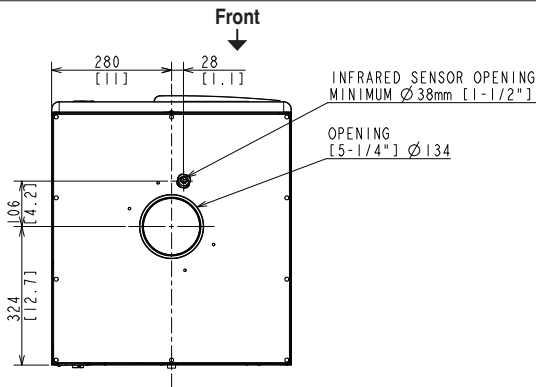


WATER-COOLED

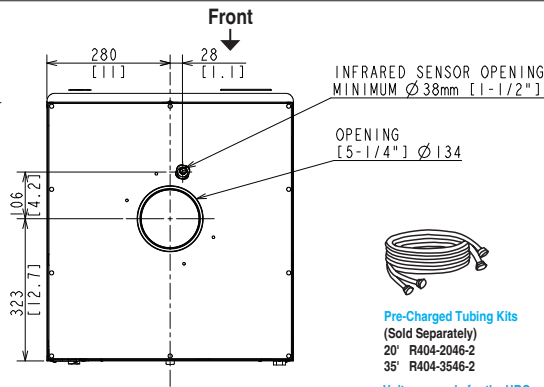


REMOTE AIR-COOLED

BOTTOM VIEW



AIR-COOLED



WATER-COOLED  
REMOTE AIR-COOLED

**URC-5F Remote Condenser (Sold Separately)**  
(W x D x H) 21 13/16 x 14 1/16 x 32 13/16  
For Use with FD-650MRH-C

**Pre-Charged Tubing Kits (Sold Separately)**  
20" R404-2046-2  
35" R404-3546-2  
  
Voltage supply for the URC Remote Condenser is supplied from the Ice Maker. No additional circuit is required.

