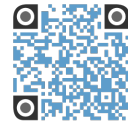




# KM-1301S\_H-P


**STACKABLE ICE CUBER  
TAMPER PROOF MODEL**





KM-1301S\_H-P  
03/30/17  
Item # 13322

Item #: \_\_\_\_\_  
Project: \_\_\_\_\_  
Qty: \_\_\_\_\_  
AIA#: \_\_\_\_\_

## Features

- ▶ Individual crescent cube
- ▶ Stainless steel evaporator
- ▶ CycleSaver™ design 

- Up to 1329 lbs. of ice production per 24 hours
- Stackable for 2658 lbs. per 24 hours ice production in the same floor space
- Durable stainless steel exterior
- Protected by H-Guard Plus  Antimicrobial Agent
- EverCheck™ alert system 
- Removable air filters (Air-cooled model only)
- R-404A Refrigerant

### Available on Bins:

**B-800**    **B-1150SS**    **B-1500SS**    *Top kit may be required.*  
**B-900**    **B-1300SS**    **B-1650SS**    *See Bin Spec Sheets.*

### Warranty:

3 Year Parts & Labor on entire machine. 5 Year Parts & Labor on Evaporator. 5 Year Parts on Compressor; air-cooled condenser coil. Valid in United States, Canada, Puerto Rico and U.S. Territories. Contact factory for warranty in other countries.

**W x D x H**  
**48" x 27<sup>3/8"</sup> x 27<sup>3/8"</sup>**

**KM-1301SAH-P**  
Air-Cooled  
Shown on optional bin B-900

**KM-1301SWH-P**  
Water-Cooled

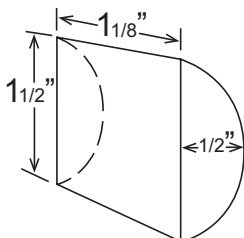


Exterior Fasteners are  
Tamper Proof Torx Pin Screws



Condenser	Model	ICE PRODUCTION				WATER USAGE			ELECTRICAL			Heat Rejection BTU/hr.	Shipping Weight	ENERGY STAR®
		Air / Water Temp Lbs. per 24 hours 70° / 50°F    90° / 70°F	Per Cycle Lbs.    Cubes	Potable Gal. per 100 lbs. 90° / 70°F	Condenser Gal. per 100 lbs. 90° / 70°F	kWh Used per 100 lbs. 90° / 70°F	Max. Fuse Size or HACR Circuit Breaker	Amperage	Voltage					
Air-Cooled	KM-1301SAH	1329    1164	29.8    1440	15.7	N/A	4.63	20A	12.4A	208-230V/60/1	20,300	315 lbs.			
Water-Cooled	KM-1301SWH	1290    1276	31.5    1440	19.6	124	3.44	20A	8.2A	208-230V/60/1	17,200	315 lbs.			

### KM Cube Dimensions\*



\* approximate size in inches, image not to scale

### Operating Limits

- Ambient Temp Range    45 - 100°F
- Water Temp Range        45 - 90°F
- Water Pressure            10 - 113 PSIG
- Voltage Range             187 - 253V

### Service

- Panels easily removed and all components accessible for service.
- Allow 6" (15cm) clearance at rear, sides, and top for proper air circulation and ease of maintenance/service.

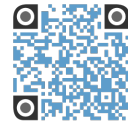
### Plumbing

- Icemaker Water Supply Line: Minimum 3/8" Nominal ID Copper Water Tubing or Equivalent
- Icemaker Drain Line: Minimum 3/4" Nominal ID Hard Pipe or Equivalent
- Water-Cooled Model (Lines Must Be Independent of Icemaker)
- Condenser Water Supply Line: Minimum 3/8" Nominal ID Copper Water Tubing or Equivalent
- Condenser Drain/Return Line: Minimum 3/8" Nominal ID Hard Pipe (open drain system) or Copper Water Tubing (closed loop system) or Equivalent



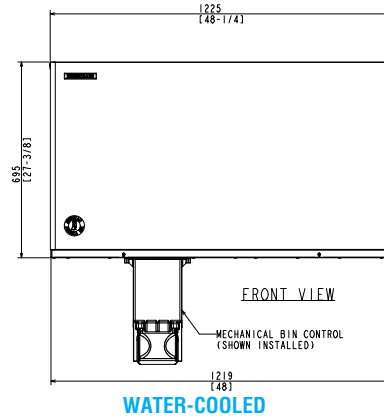
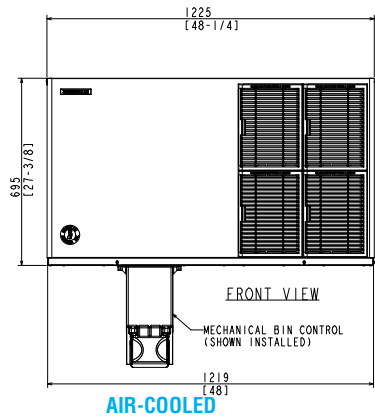
# KM-1301S\_H-P

## STACKABLE ICE CUBER TAMPER PROOF MODEL

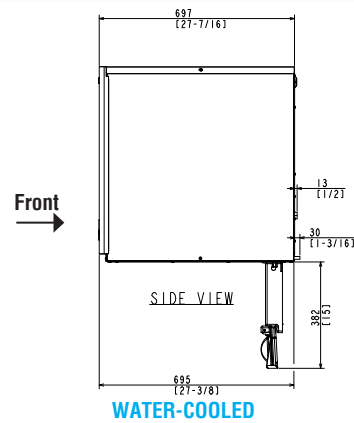
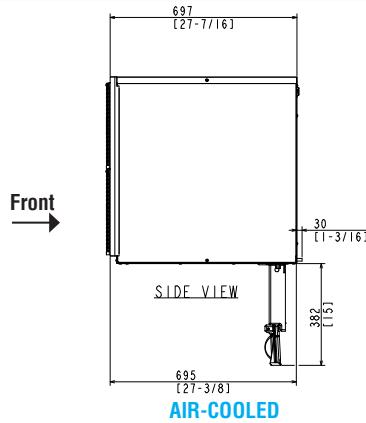


KM-1301S\_H-P  
03/30/17 Item #  
13322

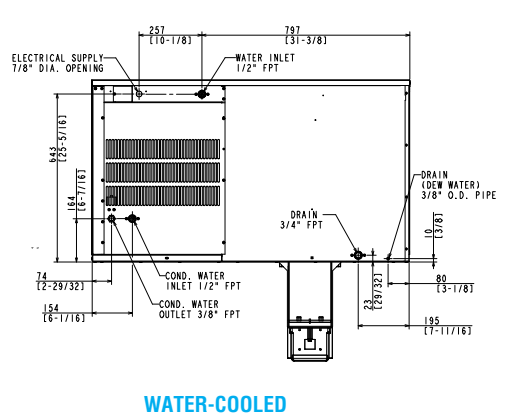
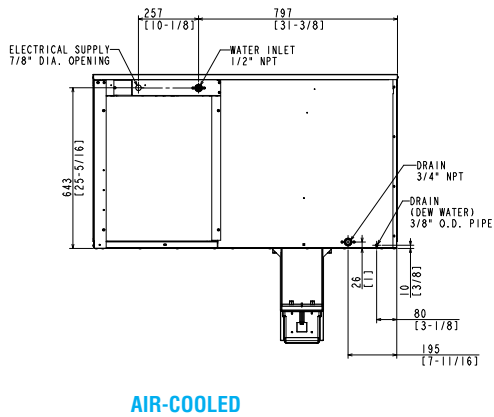
FRONT VIEW



SIDE VIEW



BACK VIEW



BOTTOM VIEW

