



KM-1340M_H(3)

MODULAR CRESCENT ICE CUBER



KM-1340M_H(3)
03/30/17
Item # 13175



Item #: _____
Project: _____
Qty: _____
AIA#: _____

Features

► Individual crescent cube

► Stainless steel evaporator

► CycleSaver™ design 

- Up to 1401 lbs. of ice production per 24 hours
- Mount two units, side-by-side, in only 60" of floor space for double the amount of ice production
- Durable stainless steel exterior
- Protected by H-Guard Plus  Antimicrobial Agent
- EverCheck alert system 
- Removable air filters (Air-cooled model only)
- R-404A Refrigerant

Available on Bins:

B-500PF/SF B-800PF/SF B-1150SS B-1500SS
B-700PF/SF B-900PF/SF B-1300SS B-1650SS

Top kit may be required. See Bin Spec Sheets.

Warranty:

3 Year Parts & Labor on entire machine. 5 Year Parts & Labor on Evaporator. 5 Year Parts on Compressor; air-cooled condenser coil. Valid in United States, Canada, Puerto Rico and U.S. Territories. Contact factory for warranty in other countries.

W x D x H
30" x 27^{3/8}" x 41^{1/2}"

KM-1340MAH
Air-Cooled 1 Phase
Shown on optional bin: B900

KM-1340MWH
Water-Cooled 1 Phase

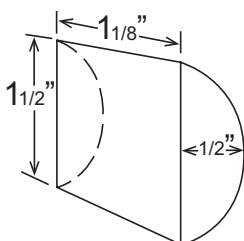
KM-1340MRH ★
Remote Air-Cooled 1 Phase

KM-1340MRH3
Remote Air-Cooled 3 Phase



	Condenser	Model	ICE PRODUCTION		Per Cycle		WATER USAGE		ELECTRICAL			Heat Rejection BTU/hr.	Shipping Weight	ENERGY STAR®	
			Air / Water Temp Lbs. per 24 hours	70°/ 50°F	90°/ 70°F	Lbs.	Cubes	Potable Gal. per 100 lbs.	Condenser Gal. per 100 lbs.	kWh Used per 100 lbs.	Max. Fuse Size or HACR Circuit Breaker				Amperage
1 Phase	Air-Cooled	KM-1340MAH	1325	1167	28.1	1440	18.3	N/A	4.7	20A	13.2A	208-230V/60/1	20,300	315 lbs.	
	Water-Cooled	KM-1340MWH	1329	1316	28.1	1440	19.7	133	3.9	20A	10.7A	208-230V/60/1	17,200	293 lbs.	
3 Phase	Remote Air-Cooled	KM-1340MRH	1401	1251	28.7	1440	18.3	N/A	4.5	20A	13.4A	208-230V/60/1	17,600	289 lbs.	★
	Remote Air-Cooled	KM-1340MRH3	1364	1185	28.7	1440	21.5	N/A	4.75	20A	9A	208-230V/60/3	21,800	289 lbs.	

KM Cube Dimensions*



* approximate size in inches, image not to scale

Operating Limits

- Ambient Temp Range 45 - 100°F
- Water Temp Range 45 - 90°F
- Water Pressure 10 - 113 PSIG
- Voltage Range 187 - 253V

Service

- Panels easily removed and all components accessible for service.
- Allow 6" (15cm) clearance at rear, sides, and top for proper air circulation and ease of maintenance/service.

Plumbing

- Icemaker Water Supply Line: Minimum 3/8" Nominal ID Copper Water Tubing or Equivalent
- Icemaker Drain Line: Minimum 3/4" Nominal ID Hard Pipe or Equivalent
- Water-Cooled Model (Lines Must Be Independent of Icemaker)**
- Condenser Water Supply Line: Minimum 3/8" Nominal ID Copper Water Tubing or Equivalent
- Condenser Drain/Return Line: Minimum 3/8" Nominal ID Hard Pipe (open drain system) or Copper Water Tubing (closed loop system) or Equivalent



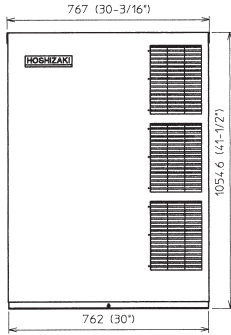
KM-1340M_H(3)

MODULAR CRESCENT ICE CUBER

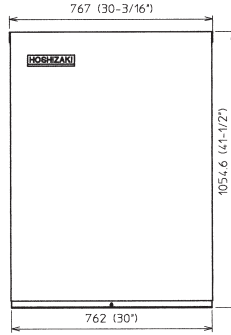


KM-1340M_H(3)
03/30/17
Item # 13175

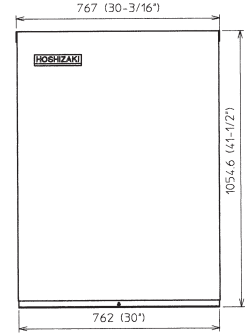
FRONT VIEW



AIR-COOLED

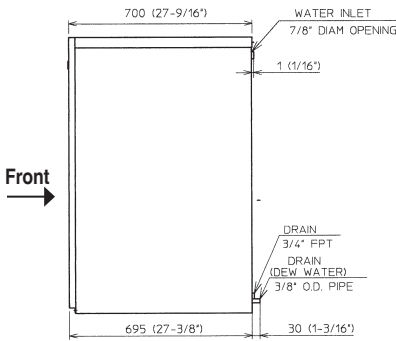


WATER-COOLED

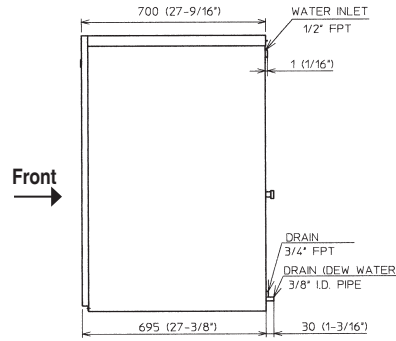


REMOTE AIR-COOLED

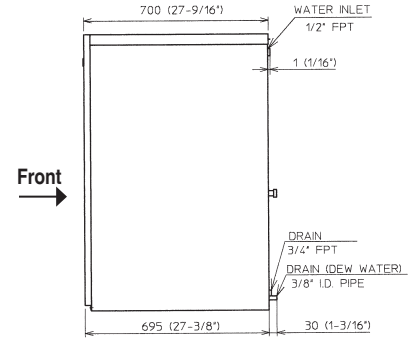
SIDE VIEW



AIR-COOLED

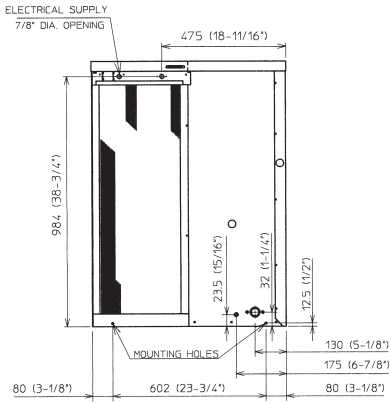


WATER-COOLED

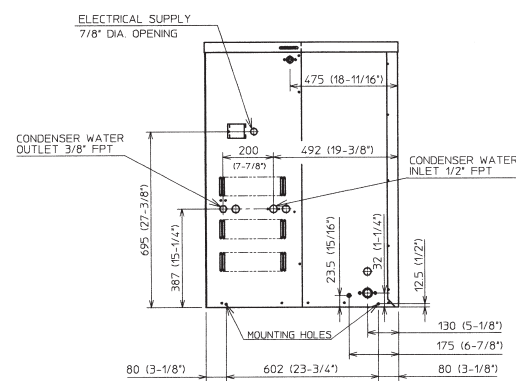


REMOTE AIR-COOLED

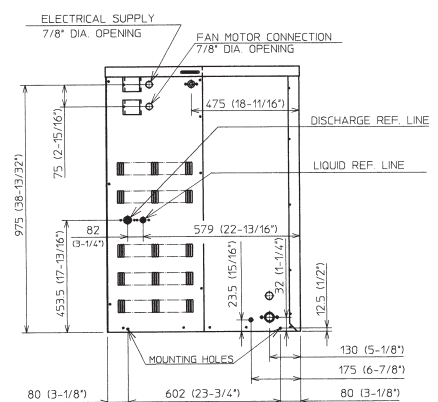
BACK VIEW



AIR-COOLED

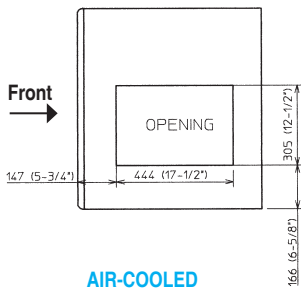


WATER-COOLED



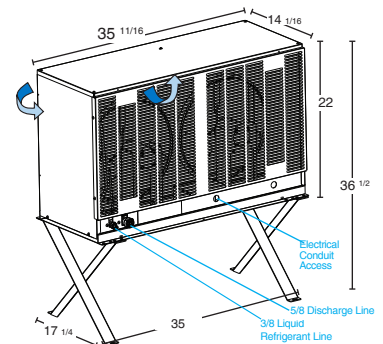
REMOTE AIR-COOLED

BOTTOM VIEW



AIR-COOLED
WATER-COOLED
REMOTE AIR-COOLED

URC-14F Remote Condenser (Sold Separately)
(W x D x H) 35^{11/16} x 14^{1/16} x 36^{1/2}
For Use with KM-1340MRH(3)



Pre-Charged Tubing Kits
(Sold Separately)
20' R404-2068-2
35' R404-3568-2
55' R404-5568-2



Voltage supply for the URC Remote Condenser is supplied from the Ice Maker. No additional circuit is required.