



KM-151B_H

SELF-CONTAINED CUBER WITH BUILT-IN STORAGE BIN



KM-151B_H
01/18/18
Item # 13236

W x D x H
23^{3/4}" x 28^{1/4}" x 39" *
*including 6" legs

Shipping Dimensions
27" x 31^{1/2}" x 39^{1/2}"

KM-151BAH
Air-Cooled
Shown

KM-151BWH
Water-Cooled



Features

- ▶ Individual crescent cube
- ▶ Stainless steel evaporator
- ▶ CycleSaver™ design

- Up to 146 lbs. of ice production per 24 hours
- Built-in storage capacity of 2.6ft³/78 lbs.*
- Durable stainless steel exterior
- Front in, front out airflow
- Slide in door
- EverCheck™ alert system
- Removable air filter
- Power switch accessible without panel removal
- Built-in install without legs is 33"H
- R-134a Refrigerant

Warranty:

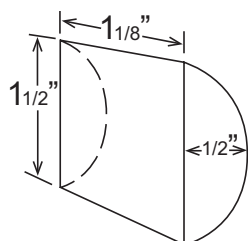
3 Year Parts & Labor on entire machine. 5 Year Parts & Labor on Evaporator. 5 Year Parts on Compressor; air-cooled condenser coil. Valid in United States, Canada, Puerto Rico and U.S. Territories. Contact factory for warranty in other countries. *Rated in accordance with AHRI Standard 820(I-P). Capacity based on 100% of total volume x 30 lb/ft³ average density of ice.



ICE PRODUCTION WATER USAGE ELECTRICAL

Condenser	Model	Air / Water Temp		Potable Gal. per 100 lbs. 90°/70°F	Condenser Gal. per 100 lbs. 90°/70°F	kWh Used per 100 lbs. 90°/70°F	Max. Fuse Size or HACR Circuit Breaker	Amperage	Voltage	Heat Rejection BTU/hr.	Refrigerant Charge Amount	Net / Ship Weight (lbs.)
		70°/50°F	90°/70°F									
Air-Cooled	KM-151BAH	146	121	17.8	N/A	8.4	15A	7.0A	115V/60/1	3,290	8.5 oz.	117 / 156
Water-Cooled	KM-151BWH	146	130	25.0	140	7.3	15A	6.8A	115V/60/1	3,220	7.9 oz.	117 / 156

KM Cube Dimensions*



* approximate size in inches, image not to scale

Operating Limits

- Ambient Temp Range 45 - 100°F
- Water Temp Range 45 - 90°F
- Water Pressure 10 - 113 PSIG
- Voltage Range 104 - 127V

Service

- Allow enough space at rear for water supply and drain connections, at least 12" (30 cm) clearance at front and at least 0.6" (15 mm) clearance at top for maintenance.

Plumbing

- Icemaker Water Supply Line: Minimum 1/4" Nominal ID Copper Water Tubing or Equivalent
- Icemaker Drain Line: Minimum 3/4" Nominal ID Hard Pipe or Equivalent
- Water-Cooled Model (Lines Must Be Independent of Icemaker)
- Condenser Water Supply Line: Minimum 1/4" Nominal ID Copper Water Tubing or Equivalent
- Condenser Drain/Return Line: Minimum 1/4" Nominal ID Hard Pipe (open drain system) or Copper Water Tubing (closed loop system) or Equivalent



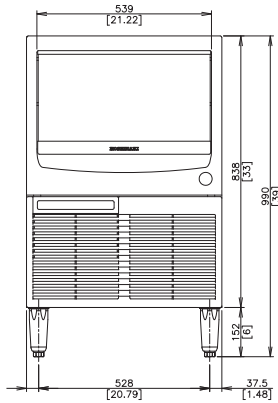
KM-151B_H

SELF-CONTAINED CUBER WITH BUILT-IN STORAGE BIN

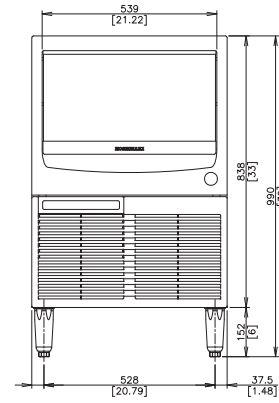


KM-151B_H
01/18/18
Item # 13236

FRONT VIEW



AIR-COOLED

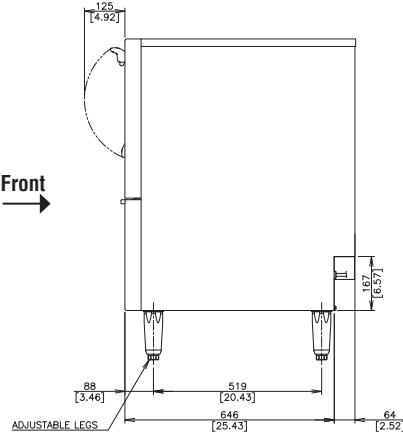


WATER-COOLED

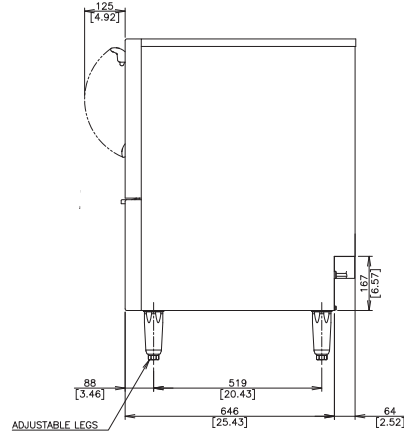
mm
[inch]

SIDE VIEW

Front →

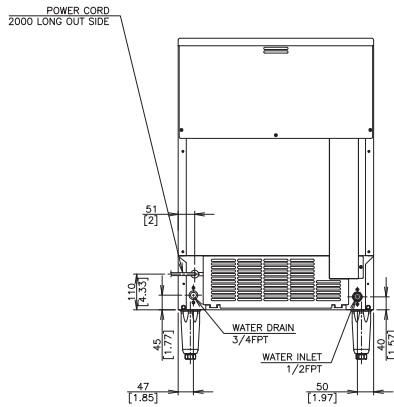


AIR-COOLED

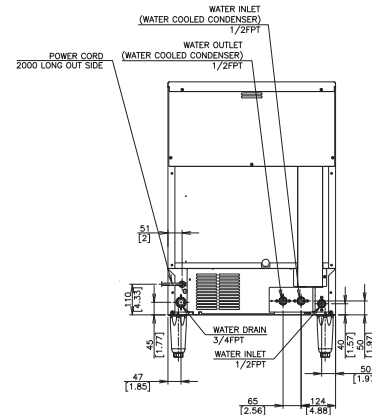


WATER-COOLED

REAR VIEW

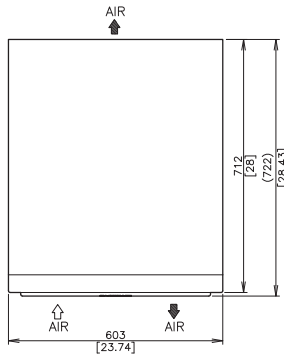


AIR-COOLED

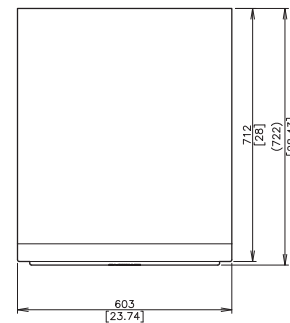


WATER-COOLED

TOP VIEW



AIR-COOLED



WATER-COOLED