



# KM-2600S\_J3

## 3 PHASE STACKABLE ICE CUBER



KM-2600S\_J3  
05/10/17  
Item # 13418

**W x D x H**  
48" x 27<sup>3/8</sup>" x 36<sup>7/16</sup>"

**KM Edge**  
SERIES

**KM-2600SWJ3**  
Water-Cooled 3 Phase  
Shown on optional bin: B-900

**KM-2600SRJ3** ★  
Remote Air-Cooled 3 Phase



Item #: \_\_\_\_\_  
Project: \_\_\_\_\_  
Qty: \_\_\_\_\_  
AIA#: \_\_\_\_\_

### Features

- ▶ Individual crescent cube
- ▶ Stainless steel evaporator
- ▶ CycleSaver™ design

- Up to 2617 lbs. of ice production per 24 hours
- Stackable for 5234 lbs. per 24 hours ice production in the same floor space
- Durable stainless steel exterior
- Protected by H-GUARD Plus® Antimicrobial Agent
- EverCheck™ alert system
- R-404A Refrigerant

#### Available on Bins:

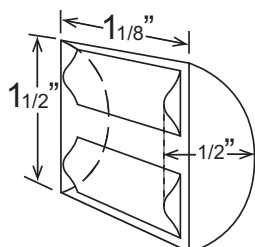
**B-800**    **B-1150SS**    **B-1500SS**    *Top kit may be required.*  
**B-900**    **B-1300SS**    **B-1650SS**    *See Bin Spec Sheets.*

#### Warranty:

Valid in United States, Canada, Puerto Rico and U.S. Territories. Contact factory for warranty in other countries.

Condenser	Model	ICE PRODUCTION				WATER USAGE			ELECTRICAL			Heat Rejection BTU/hr.	Shipping Weight	ENERGY STAR®
		Air / Water Temp Lbs. per 24 hours 70°/50°F	90°/70°F	Per Cycle Lbs.	Cubes	Potable Gal. per 100 lbs. 90°/70°F	Condenser Gal. per 100 lbs. 90°/70°F	kWh Used per 100 lbs. 90°/70°F	Max. Fuse Size or HACR Circuit Breaker	Amperage	Voltage			
Water-Cooled	KM-2600SWJ3	2482	2480	43.9	2160	16.0	87	3.60	30A	12.8A	208-230V/60/3	31,600	415 lbs.	
Remote Air-Cooled	KM-2600SRJ3	2617	2580	42.6	2160	16.0	N/A	3.61	30A	20.6A	208-230V/60/3	36,000	440 lbs.	★

### KM Edge Cube Dimensions\*



\* approximate size in inches, image not to scale

### Operating Limits

- Ambient Temp Range 45 - 100°F
- Water Temp Range 45 - 90°F
- Water Pressure 10 - 113 PSIG
- Voltage Range 187 - 253V

### Service

- Panels easily removed and all components accessible for service.
- Allow 6" (15 cm) clearance at rear, sides, and top for proper air circulation and ease of maintenance/service.

### Plumbing

- Icemaker Water Supply Line: Minimum 3/8" Nominal ID Copper Water Tubing or Equivalent
- Icemaker Drain Line: Minimum 3/4" Nominal ID Hard Pipe or Equivalent
- Water-Cooled Model (Lines Must Be Independent of Icemaker)
- Condenser Water Supply Line: Minimum 3/8" Nominal ID Copper Water Tubing or Equivalent
- Condenser Drain/Return Line: Minimum 3/8" Nominal ID Hard Pipe (open drain system) or Copper Water Tubing (closed loop system) or Equivalent



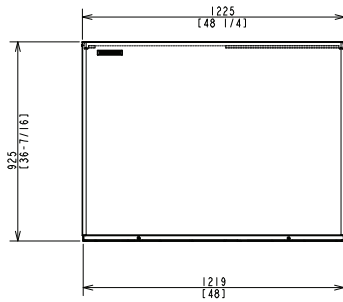
# KM-2600S\_J3

## 3 PHASE STACKABLE ICE CUBER

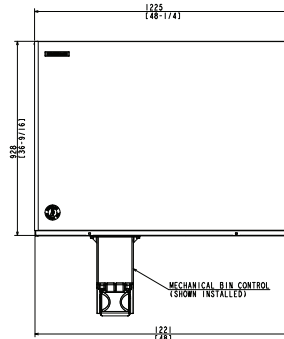


KM-2600S\_J3  
05/10/17  
Item # 13418

FRONT VIEW

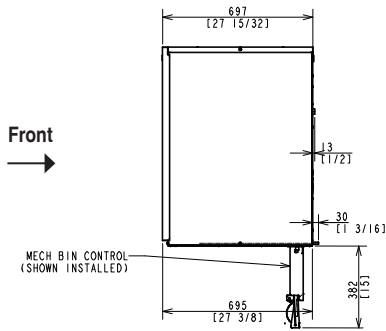


WATER-COOLED

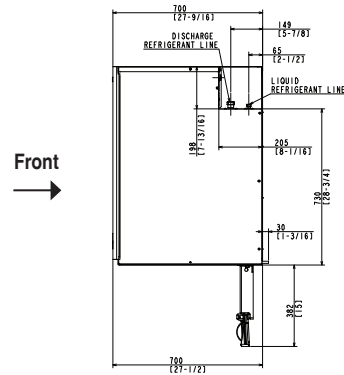


REMOTE AIR-COOLED

SIDE VIEW

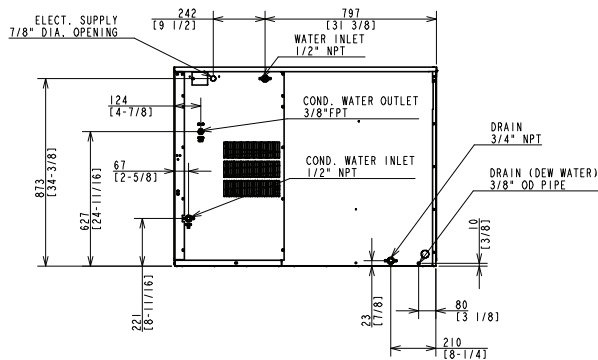


WATER-COOLED

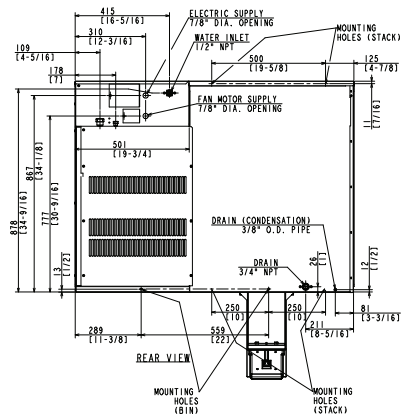


REMOTE AIR-COOLED

REAR VIEW

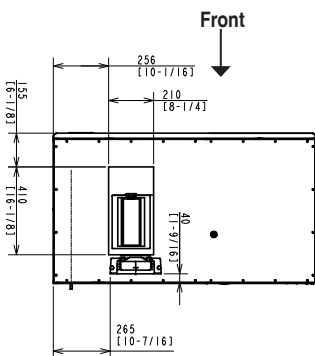


WATER-COOLED

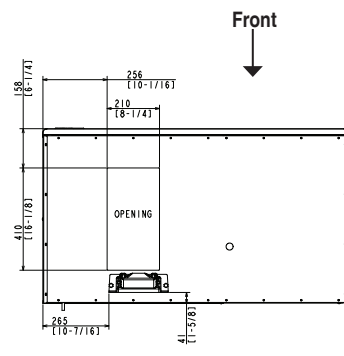


REMOTE AIR-COOLED

BOTTOM VIEW



WATER-COOLED



REMOTE AIR-COOLED

**URC-26J Remote Condenser (Sold Separately)**  
(W x D x H) 46 3/8 X 15 11/16 X 40 1/2  
For Use with KM-2600SRJ3

**Pre-Charged Tubing Kits (Sold Separately)**  
20' R404-20610  
35' R404-35610  
55' R404-55610



Voltage supply for the URC Remote Condenser is supplied from the Ice Maker. No additional circuit is required.

