



# KM-340M\_J

## SLIM-LINE MODULAR CRESCENT CUBER



KM-340M\_J  
6/05/18  
Item # 13169

**W x D x H**  
22" x 27<sup>3</sup>/<sub>8</sub>" x 30<sup>5</sup>/<sub>16</sub>"

Shipping Dimensions  
25<sup>1</sup>/<sub>4</sub>" x 33" x 36"

**KMEdge**  
DESIGN

**KM-340MAJ** ★  
Air-Cooled 1 Phase  
Shown on optional Bin: B-300

**KM-340MWJ**  
Water-Cooled 1 Phase



## Features

- ▶ Individual crescent cube
- ▶ Stainless steel evaporator
- ▶ CycleSaver™ design

- Up to 404 lbs. of ice production per 24 hours
- Durable stainless steel exterior
- Protected by H-GUARD Plus Antimicrobial Agent
- EverCheck™ alert system
- Mount two units side-by-side for 808 lbs. per 24 hours (in only 44" of floor space)
- Removable air filters (Air-cooled model only)
- R-404A Refrigerant

### Available on Bins:

B-250PF B-500PF/SF B-800PF/SF B-1150SS DB-130H DM-200B  
B-300PF/SF B-700PF/SF B-900PF/SF B-1300SS DB-200H

Top kit may be required. See Bin Spec Sheets.

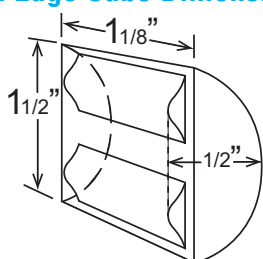
### Warranty:

3 Year Parts & Labor on entire machine. 5 Year Parts & Labor on Evaporator. 5 Year Parts on Compressor; air-cooled condenser coil. Valid in United States, Canada, Puerto Rico and U.S. Territories. Contact factory for warranty in other countries.



Condenser	Model	ICE PRODUCTION		WATER USAGE		ELECTRICAL							
		Air / Water Temp Lbs. per 24 hours 70°/ 50°F 90°/ 70°F	Potable Gal. per 100 lbs. 90°/ 70°F	Condenser Gal. per 100 lbs. 90°/ 70°F	kWh Used per 100 lbs. 90°/ 70°F	Max. Fuse Sz or HACR Circuit Bkr	Amperage	Voltage	Circuit Wires (including ground)	Heat Rejection BTU/hr.	Refrigerant Charge Amount	Net / Ship Weight (lbs.)	
Air	KM-340MAJ	404	315	17.1	N/A	5.7	15A	9.2A	115V/60/1	3	7,500	1 lb. 4.8 oz.	129 / 159
Water	KM-340MWJ	402	344	18.1	86	4.8	15A	7.5A	115V/60/1	3	7,500	1 lb. 0.9 oz.	142 / 166

## KM Edge Cube Dimensions†



† approximate size in inches, image not to scale

## Operating Limits

- Ambient Temp Range 45 - 100°F
- Water Temp Range 45 - 90°F
- Water Pressure 10 - 113 PSIG
- Voltage Range 104 - 127V

## Service

- Panels easily removed and all components accessible for service.
- Removable/cleanable air filters. (Air-cooled model only)
- Allow 6" (15 cm) clearance at rear, sides, and top for proper air circulation and ease of maintenance/service.

## Plumbing

- Icemaker Water Supply Line: Min. 1/4" Nominal ID Copper Water Tubing or Equivalent
- Icemaker Drain Line: Min. 3/4" Nominal ID Hard Pipe or Equivalent
- Water-Cooled Model (Lines Must Be Independent of Icemaker)
- Condenser Water Supply Line: Minimum 1/4" Nominal ID Copper Water Tubing or Equivalent
- Condenser Drain/Return Line: Minimum 1/4" Nominal ID Hard Pipe (open drain system) or Copper Water Tubing (closed loop system) or Equivalent

## Water Filter

Please refer to water filter specification sheet for recommendations.

Hoshizaki reserves the right to change specifications without notice.



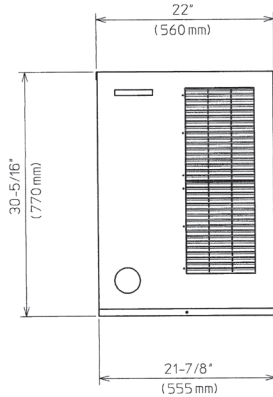
# KM-340M\_J

## SLIM-LINE MODULAR CRESCENT CUBER

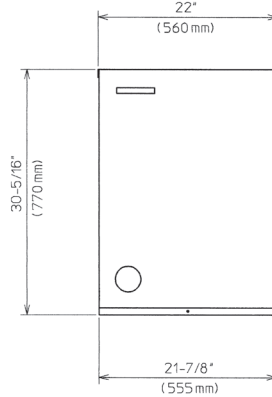


KM-340M\_J  
6/05/18 Item #  
13169

FRONT VIEW



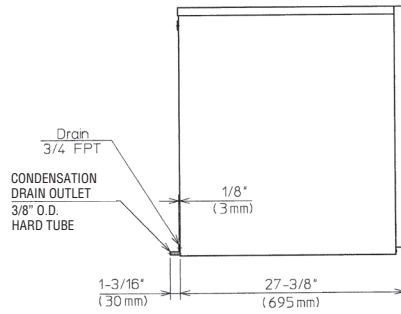
AIR-COOLED



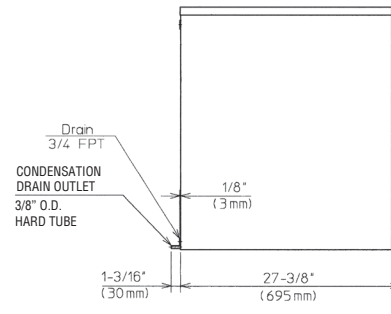
WATER-COOLED

inch  
[mm]

SIDE VIEW

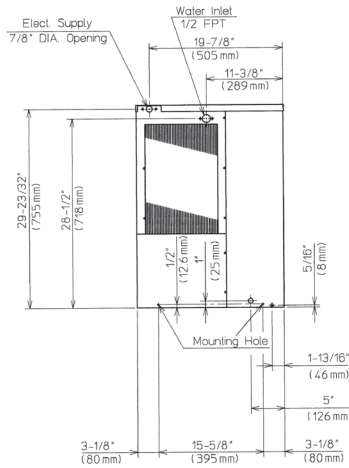


AIR-COOLED

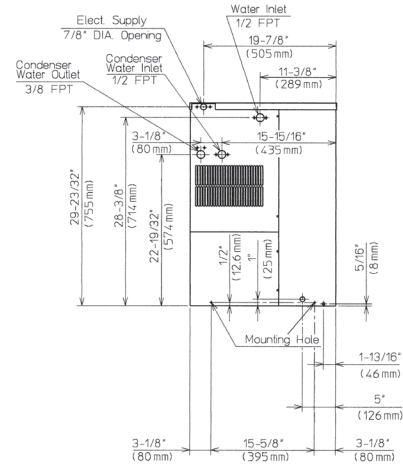


WATER-COOLED

BACK VIEW

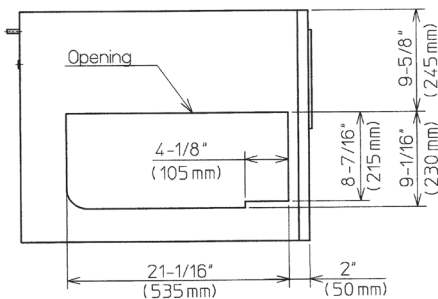


AIR-COOLED

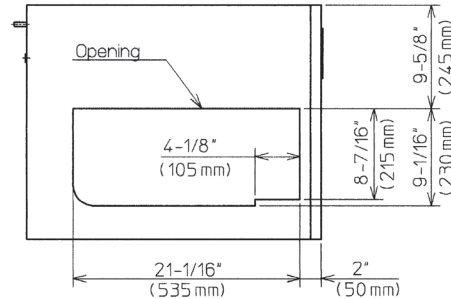


WATER-COOLED

BOTTOM VIEW



AIR-COOLED



WATER-COOLED



# PF/SF Bins

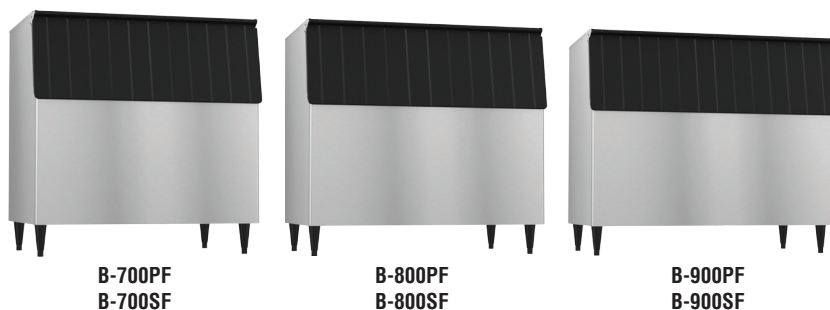
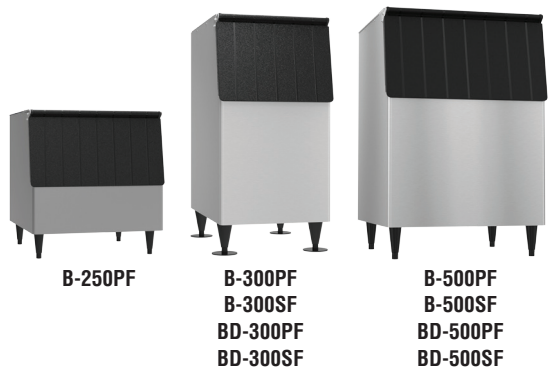
## ICE STORAGE BIN SERIES




PF/SF Bins  
05/04/18  
Item # 13163

Item #: \_\_\_\_\_  
 Project: \_\_\_\_\_  
 Qty: \_\_\_\_\_  
 AIA#: \_\_\_\_\_

**PF - PVC Coated Galvanized Steel Finish**  
**SF - Stainless Steel Finish**



### Features

- ▶ **Protected by H-GUARD Plus Antimicrobial Agent** 
- ▶ **Polyethylene bin liner for sanitary storage**
- ▶ **Sturdy construction for side-by-side or stacked ice machine installation**

- Ice storage capacity from 250 lbs. up to 900 lbs.
- Both surfaces are designed for easy cleaning
- Long lasting attractive appearance
- Foamed-in-place polyurethane insulation, in all bin walls and bottom, provides dependable ice storage
- H-GUARD Plus Antimicrobial adds extra protection to the ice scoop (included)

### BD Bins

- Fit 24" - 24 1/2" deep ice machine without top kit extension



CANADIAN ENERGY  
 PERFORMANCE VERIFIED  
 RENDEMENT ENERGETIQUE VERIFIE



ISO9001-ISO14001

### Warranty:

2 Year Parts & Labor (Production prior to January 2012)  
 3 Year Parts & Labor (Production January 2012 and after)  
 Valid in United States, Canada, Puerto Rico and U.S. Territories. Contact factory for warranty in other countries.

Model Number	Exterior Dimensions W x D x H*	Application Storage Capacity †	Cubic Volume	Interior Dimensions W x D x H	Shipping Weight
B-250PF	30" x 32.3" x 33.4"	250 lbs.	10.30 ft <sup>3</sup>	27" x 27.7" x 23.7"	130 lbs.
B(D)-300PF/SF	22" x 32.3" x 46"	300 lbs.	11.51 ft <sup>3</sup>	19" x 27.7" x 37.6"	135 lbs.
B(D)-500PF/SF	30" x 32.3" x 46"	500 lbs.	16.33 ft <sup>3</sup>	27" x 27.7" x 37.6"	155 lbs.
B-700PF/SF	44" x 32.3" x 46"	700 lbs.	24.77 ft <sup>3</sup>	41" x 27.7" x 37.6"	200 lbs.
B-800PF/SF	48" x 32.3" x 46"	800 lbs.	26.90 ft <sup>3</sup>	45" x 27.7" x 37.6"	210 lbs.
B-900PF/SF	52" x 32.3" x 46"	900 lbs.	29.59 ft <sup>3</sup>	49" x 27.7" x 37.6"	220 lbs.

\*Height includes 6" legs

† Capacity based on volume x 30 lb/ft<sup>3</sup> average density of ice.



# PF/SF Bins

## ICE STORAGE BIN SERIES



PF/SF Bins  
05/04/18  
Item # 13163

### Ice Machine Model Application

	22" Width	22" Width	30" Width	30" Width	44" Width	44" Width	48" Width
	KM-340M KM-515M KM-600M KM-650M F-450M F-801M F-1002M	KMD-410M* KMS-822M* FD-650M-C* FD-1002M-C*	KM-901M KM-1340M KM-1601M KML Series F-1501M F-2001	KMD-460M* KMD-530M* KMD-850M* KMD-901MRH IM-500S KMS-1401M* KMS-2000M*	2 KM-340M 2 KM-515M 2 KM-600M 2 KM-650M 2 F-450M 2 F-801M 2 F-1002M	2 KMD-410M 2 KMS-822M 2 FD-650M-C 2 FD-1002M-C	KM-1301S KM-1400S KM-1601S KM-1900S KM-2100S KM-2500S
<b>Bins</b> B-300PF/SF	—	N/A	N/A	N/A	N/A	N/A	N/A
<b>Bins</b> B-250PF B-500PF/SF	NEED HS-2033	NEED HS-2033 & HS-2129	—	NEED HS-2129	N/A	N/A	N/A
<b>Bins</b> B-700PF/SF	NEED HS-2035	NEED HS-2035 & HS-2130	NEED HS-2034	NEED HS-2034 & HS-2130	—	NEED HS-2130	N/A
<b>Bins</b> B-800PF/SF	NEED HS-2035 & HS-2032	NEED HS-2035 & HS-2032/ 2131	NEED HS-2034 & HS-2032	NEED HS-2131 & HS-2034/2032	NEED HS-2032	NEED HS-2032 & HS-2131	—
<b>Bins</b> B-900PF/SF	NEED HS-2035 & HS-2033	NEED HS-2035 & HS-2033/ HS-2132	NEED HS-2035	NEED HS-2132 & HS-2035	NEED HS-2033	NEED HS-2033 & HS-2132	NEED HS-2032

— No top kit necessary | N/A Combination of ice maker and bin is not possible

**BD Bins fit 24" - 24 1/2" deep ice machine without Top Kit extension.**

† **BD-300PF/SF:** KMD-410M, KMS-822M, FD-650M-C, FD-1002M-C

‡ **BD-500PF/SF:** KMD-460M, KMD-530, KMD-850

\* Any KMS or FD on bin need Top Kit Extension:

- HS-2129 - for use with B-500 bins

- HS-2130 - for use with B-700 bins

- HS-2131 - for use with B-800 bins

- HS-2132 - for use with B-900 bins\*

(excludes KMS-830MLH)

HS-2032 - 4" ABS Top Kit

HS-2033 - 8" ABS Top Kit

HS-2034 - 14" ABS Top Kit

HS-2035 - 22" ABS Top Kit

HS-2036 - (2) 4" ABS Top Kits

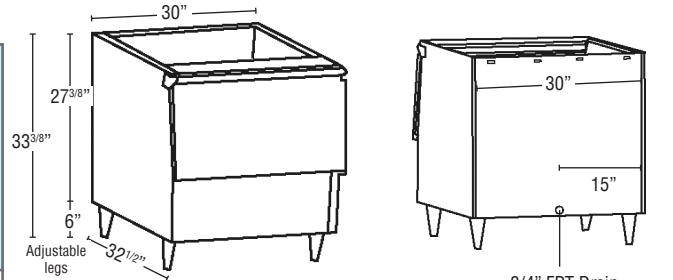
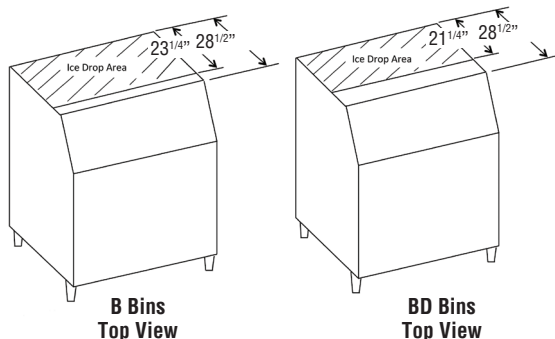
HS-2111 - 11.3" x 26.2" Stainless

Cover/Separator

HS-2148 - 30" x 3.1" Stainless

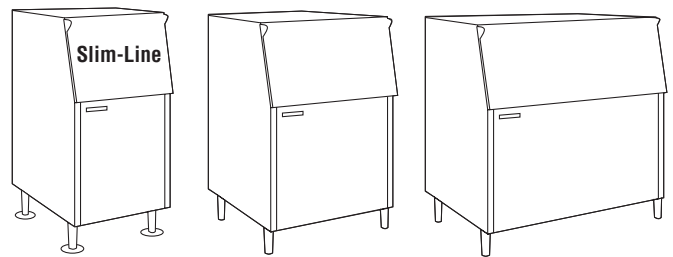
Cover

HS-2160 - 2 KM-901M



**B-250PF**

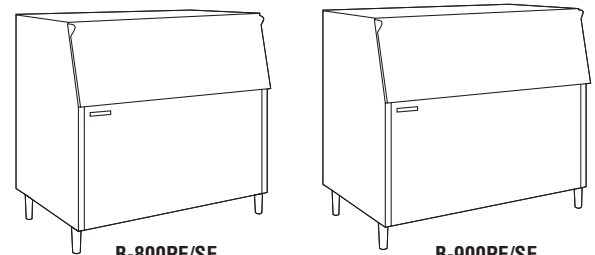
3/4" FPT Drain



**B-300PF/SF  
BD-300PF/SF**

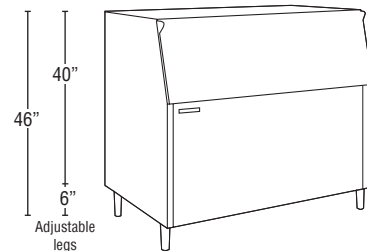
**B-500PF/SF  
BD-500PF/SF**

**B-700PF/SF**



**B-800PF/SF**

**B-900PF/SF**



#### Bin Height

- B-300PF/SF**
- BD-300PF/SF**
- B-500PF/SF**
- BD-500PF/SF**
- B-700PF/SF**
- B-800PF/SF**
- B-900PF/SF**

