



KM-515M_H-P

SLIM-LINE MODULAR CRESCENT CUBER



KM-515M_H-P
03/30/17
Item # 13318

Item #: _____
 Project: _____
 Qty: _____
 AIA#: _____

W x D x H
22" x 27^{3/8}" x 30^{5/16}"

(-P) - Tamper Proof

KM-515MAH-P ★

Air-Cooled
Shown on standard bin B-300
for placement only

KM-515MWH-P

Water-Cooled



Exterior Fasteners are
Tamper Proof Torx Pin
Screws



Features

- ▶ Individual crescent cube
- ▶ Stainless steel evaporator
- ▶ CycleSaver™ design

- Up to 527 lbs. of ice production per 24 hours
- Durable stainless steel exterior
- Torx pin screws are tamper proof
- Protected by H-GUARD Plus Antimicrobial Agent
- EverCheck™ alert system
- Mount two units side-by-side for 1,054 lbs. per 24 hours (in only 44" of floor space)
- R-404A Refrigerant

Available on Bins:

B-250PF B-700PF/SF B-1150SS B-1650SS DM-200B
 B-300PF/SF B-800PF/SF B-1300SS DB-130H
 B-500PF/SF B-900PF/SF B-1500SS DB-200H

Top kit may be required. See Bin Spec Sheets.

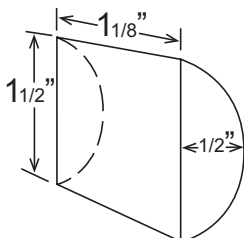
Warranty:

3 Year Parts & Labor on entire machine. 5 Year Parts & Labor on Evaporator. 5 Year Parts on Compressor; air-cooled condenser coil. Valid in United States, Canada, Puerto Rico and U.S. Territories. Contact factory for warranty in other countries.



Condenser	Model	ICE PRODUCTION				WATER USAGE			ELECTRICAL			Heat Rejection BTU/hr.	Shipping Weight	ENERGY STAR®
		Air / Water Temp Lbs. per 24 hours		Per Cycle		Potable Gal. per 100 lbs.	Condenser Gal. per 100 lbs.	kWh Used per 100 lbs.	Max. Fuse Size or HACR Circuit Breaker	Amperage	Voltage			
		70°/ 50°F	90°/ 70°F	Lbs.	Cubes	90°/ 70°F	90°/ 70°F	90°/ 70°F						
Air-Cooled	KM-515MAH-P	527	450	9.8	480	18.5	N/A	5.9	20A	11.7A	115V/60/1	9,500	175 lbs.	★
Water-Cooled	KM-515MWH-P	462	446	10.0	480	23.0	106	5.1	20A	9.6A	115V/60/1	8,200	175 lbs.	

KM Cube Dimensions*



* approximate size in inches, image not to scale

Operating Limits

- Ambient Temp Range 45 - 100°F
- Water Temp Range 45 - 90°F
- Water Pressure 10 - 113 PSIG
- Voltage Range 104-127V

Service

- Panels easily removed and all components accessible for service.
- Allow 6" (15 cm) clearance at rear, sides, and top for proper air circulation and ease of maintenance/service.

Plumbing

- Icemaker Water Supply Line: Minimum 1/4" Nominal ID Copper Water Tubing or Equivalent
 - Icemaker Drain Line: Minimum 3/4" Nominal ID Hard Pipe or Equivalent
- Water-Cooled Model (Lines Must Be Independent of Icemaker)
- Condenser Water Supply Line: Minimum 1/4" Nominal ID Copper Water Tubing or Equivalent
 - Condenser Drain/Return Line: Minimum 1/4" Nominal ID Hard Pipe (open drain system) or Copper Water Tubing (closed loop system) or Equivalent



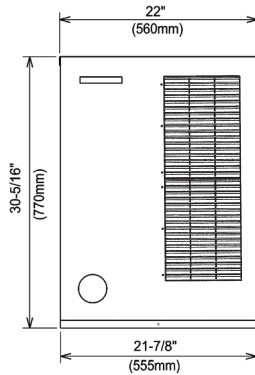
KM-515M_H-P

SLIM-LINE MODULAR CRESCENT CUBER

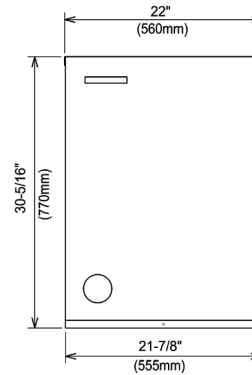


KM-515M_H-P
03/30/17
Item # 13318

FRONT VIEW

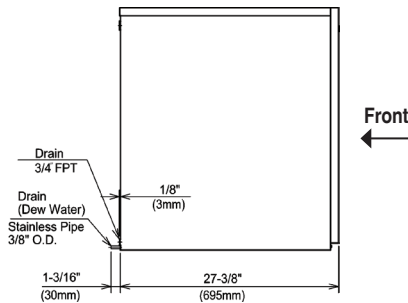


AIR-COOLED

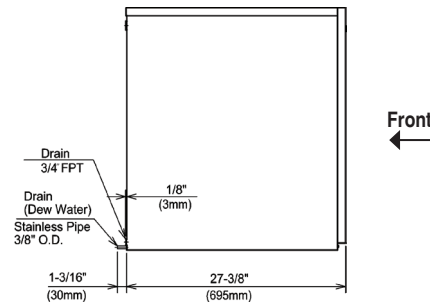


WATER-COOLED

SIDE VIEW

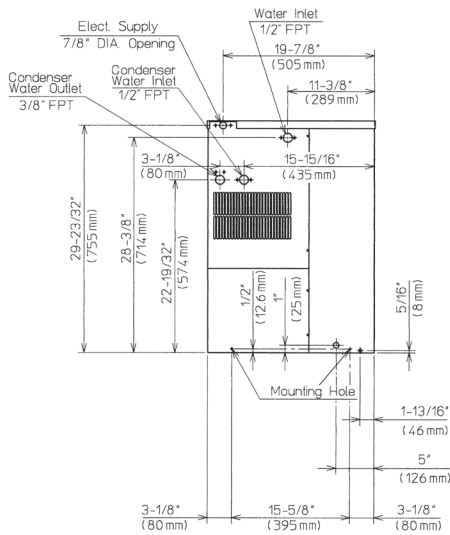


AIR-COOLED

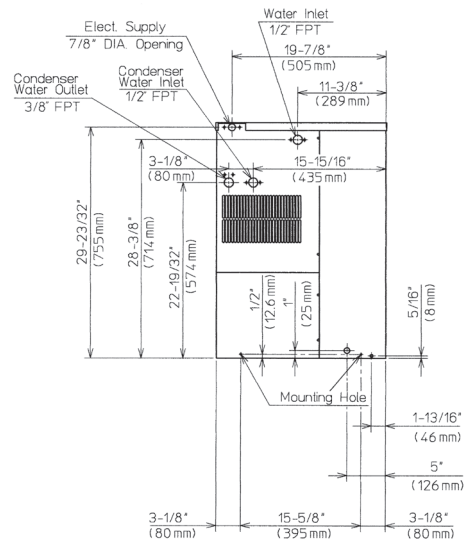


WATER-COOLED

REAR VIEW

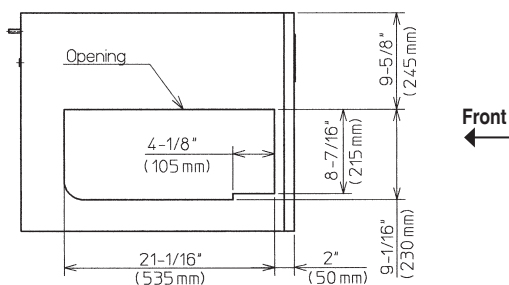


AIR-COOLED

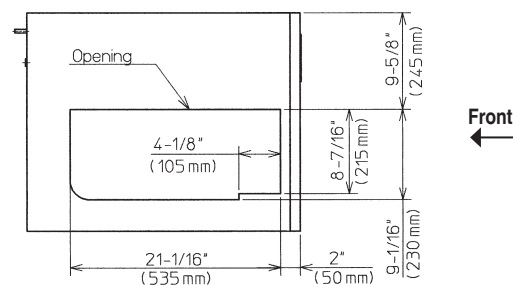


WATER-COOLED

BOTTOM VIEW



AIR-COOLED



WATER-COOLED