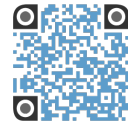




# KM-901M\_H(3)

MODULAR CRESCENT CUBER



KM-901M\_H(3)  
03/30/17  
Item # 13223

**W x D x H**  
30" x 27<sup>3/8</sup>" x 37<sup>7/16</sup>"

**KM-901MAH**

Air-Cooled

Shown on optional bin B-900

**KM-901MWH**

Water-Cooled

**KM-901MRH**

Water-Cooled 1 Phase

**KM-901MRH3**

Remote Air-Cooled 3 Phase



Item #: \_\_\_\_\_  
Project: \_\_\_\_\_  
Qty: \_\_\_\_\_  
AIA#: \_\_\_\_\_

## Features

- ▶ Individual crescent cube
- ▶ Stainless steel evaporator
- ▶ CycleSaver™ design

- Up to 928 lbs. of ice production per 24 hours
- Durable stainless steel exterior
- Protected by H-GUARD Plus Antimicrobial Agent
- EverCheck™ alert system
- Removable air filters (Air-cooled model only)
- R-404A Refrigerant

**Available on Bins:**

**B-250PF B-700PF/SF B-900PF/SF B-1300SS B-1650SS\***  
**B-500PF/SF B-800PF/SF B-1150SS B-1500SS\***

*Top kit may be required. See Bin Spec Sheets. \*Two unit application only.*

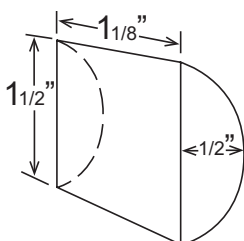
**Warranty:**

3 Year Parts & Labor on entire machine. 5 Year Parts & Labor on Evaporator. 5 Year Parts on Compressor; air-cooled condenser coil. Valid in United States, Canada, Puerto Rico and U.S. Territories. Contact factory for warranty in other countries.



	Condenser	Model	ICE PRODUCTION				WATER USAGE			ELECTRICAL			Heat Rejection BTU/hr.	Shipping Weight	ENERGY STAR®
			Air / Water Temp Lbs. per 24 hours		Per Cycle		Potable Gal. per 100 lbs.	Condenser Gal. per 100 lbs.	kWh Used per 100 lbs.	Max. Fuse Size or HACR Circuit Breaker	Amperage	Voltage			
			70°/ 50°F	90°/ 70°F	Lbs.	Cubes	90°/ 70°F	90°/ 70°F	90°/ 70°F						
1 Phase	Air-Cooled	KM-901MAH	920	813	14.2	720	16.0	N/A	5.1	20A	11.4A	208-230/60/1	15,600	256 lbs.	
	Water-Cooled	KM-901MWH	928	864	13.7	720	20.8	128	4.5	15A	8.7A	208-230/60/1	10,100	249 lbs.	
	Remote Air-Cooled	KM-901MRH	889	785	13.5	720	19.3	N/A	5.4	20A	11.6A	208-230/60/1	14,000	249 lbs.	
3 Phase	Remote Air-Cooled	KM-901MRH3	899	815	14.2	720	18.0	N/A	5.4	20A	7.0A	208-230/60/3	14,100	258 lbs.	

**KM Cube Dimensions\***



\* approximate size in inches, image not to scale

**Operating Limits**

- Ambient Temp Range 45 - 100°F
- Water Temp Range 45 - 90°F
- Water Pressure 10 - 113 PSIG
- Voltage Range 187-253V

**Service**

- Panels easily removed and all components accessible for service.
- Allow 6" (15 cm) clearance at rear, sides, and top for proper air circulation and ease of maintenance/service.
- Exterior fasteners are tamper proof torx pin screws.
- Removable/cleanable air filters under front panel (Air-cooled model only)

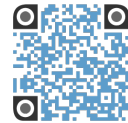
**Plumbing**

- Icemaker Water Supply Line: Minimum 1/4" Nominal ID Copper Water Tubing or Equivalent
- Icemaker Drain Line: Minimum 3/4" Nominal ID Hard Pipe or Equivalent
- Water-Cooled Model (Lines Must Be Independent of Icemaker)**
- Condenser Water Supply Line: Minimum 1/4" Nominal ID Copper Water Tubing or Equivalent
- Condenser Drain/Return Line: Minimum 1/4" Nominal ID Hard Pipe (open drain system) or Copper Water Tubing (closed loop system) or Equivalent



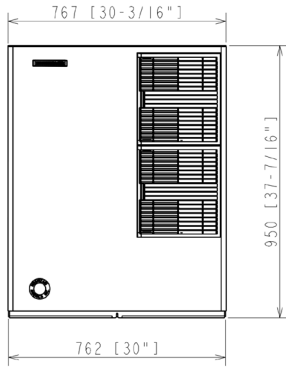
# KM-901M\_H(3)

MODULAR CRESCENT CUBER

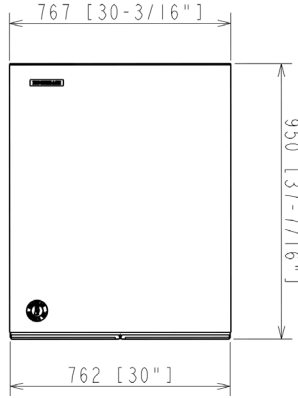


KM-901M\_H(3)  
03/30/17  
Item # 13223

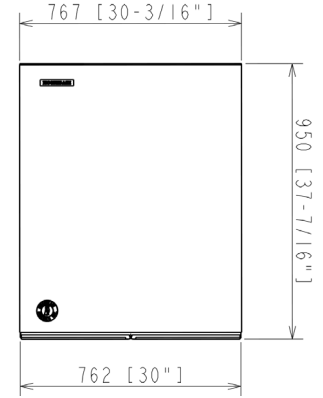
## FRONT VIEW



**AIR-COOLED**

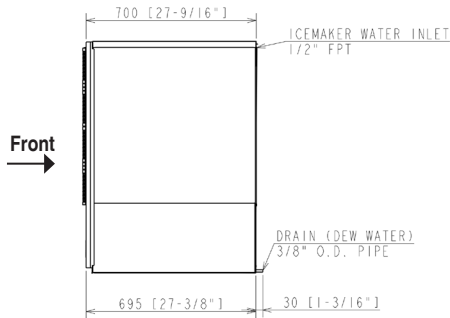


**WATER-COOLED**

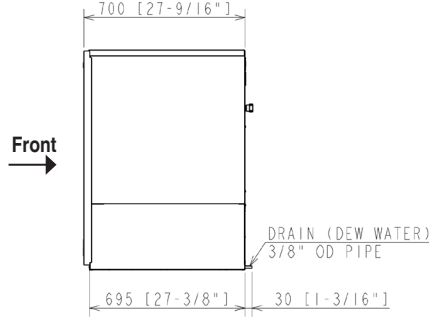


**REMOTE AIR-COOLED**

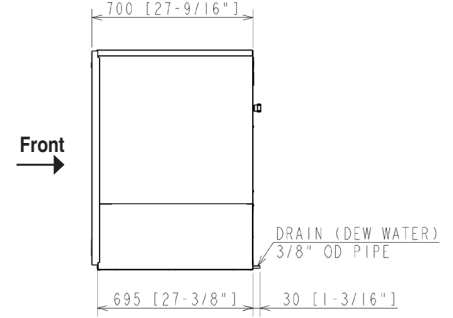
## SIDE VIEW



**AIR-COOLED**

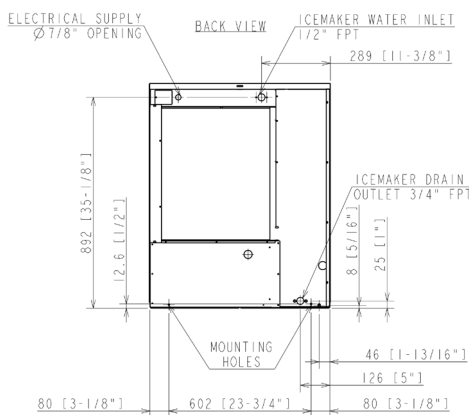


**WATER-COOLED**

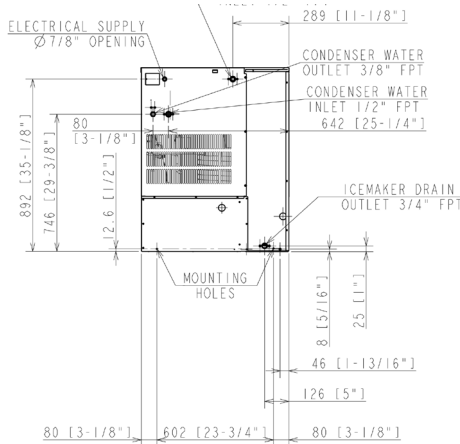


**REMOTE AIR-COOLED**

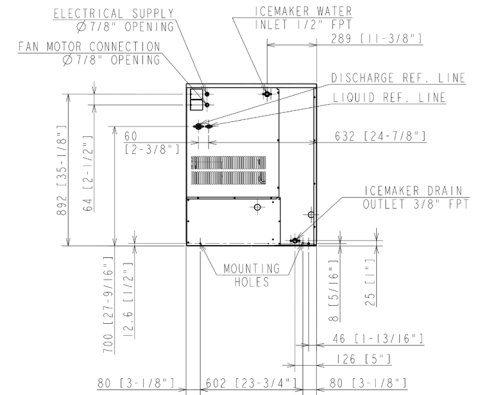
## REAR VIEW



**AIR-COOLED**

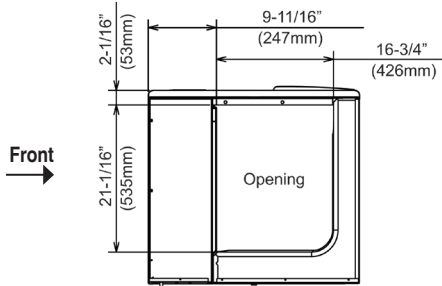


**WATER-COOLED**



**REMOTE AIR-COOLED**

## BOTTOM VIEW



**AIR-COOLED  
WATER-COOLED  
REMOTE AIR-COOLED**

**Pre-Charged Tubing Kits (Sold Separately)**  
20' R404-2068-2  
35' R404-3568-2  
55' R404-5568-2



Voltage supply for the URC Remote Condenser is supplied from the Ice Maker. No additional circuit is required.

**URC-9F Remote Condenser (Sold Separately)**  
**(W x D x H) 35<sup>11/16</sup> x 14<sup>1/16</sup> x 36<sup>1/2</sup>**  
For Use with KM-901MRH(3)

