



KMD-460M_H


MODULAR CRESCENT CUBER





KMD-460M_H
04/11/17
Item # 13346

Item #: _____
Project: _____
Qty: _____
AIA#: _____

Features

- ▶ Individual crescent cube
- ▶ Stainless steel evaporator
- ▶ CycleSaver™ design 

- Up to 505 lbs. of ice production per 24 hours
- Durable stainless steel exterior
- Protected by H-Guard Plus  Antimicrobial Agent
- EverCheck™ alert system 
- Removable air filters (Air-cooled model only)
- Front air inlet panels available for side-by-side application (used with HS-5065 kit)
- R-404A Refrigerant

Available on Bins:

B-250PF **BD-500PF/SF** **B-800PF/SF** **B-1150SS**
B-500PF/SF **B-700PF/SF** **B-900PF/SF** **B-1300SS**

Top kit may be required. See Bin Spec Sheets.

Warranty:

3 Year Parts & Labor on entire machine. 5 Year Parts & Labor on Evaporator. 5 Year Parts on Compressor; air-cooled condenser coil. Valid in United States, Canada, Puerto Rico and U.S. Territories. Contact factory for warranty in other countries.

W x D x H
30" x 24^{1/4}" x 22^{1/8}"

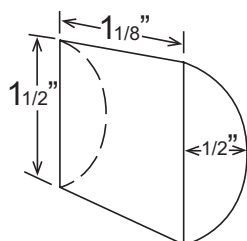
KMD-460MAH ★
Air-Cooled
Shown on optional
Lancer 30" dispenser

KMD-460MWH
Water-Cooled



Condenser	Model	ICE PRODUCTION				WATER USAGE			ELECTRICAL			Heat Rejection BTU/hr.	Shipping Weight	ENERGY STAR®
		Air / Water Temp Lbs. per 24 hours 70°/50°F	90°/70°F	Per Cycle Lbs.	Cubes	Potable Gal. per 100 lbs. 90°/70°F	Condenser Gal. per 100 lbs. 90°/70°F	kWh Used per 100 lbs. 90°/70°F	Max. Fuse Size or HACR Circuit Breaker	Amperage	Voltage			
Air-Cooled	KMD-460MAH	457	387	9.6	432	18.9	N/A	5.5	15A	10.0A	115V/60/1	7,700	170 lbs.	★
Water-Cooled	KMD-460MWH	505	470	9.4	432	16.9	136	4.1	15A	8.5A	115V/60/1	6,400	170 lbs.	

KM Cube Dimensions*



* approximate size in inches, image not to scale

Operating Limits

- Ambient Temp Range 45 - 100°F
- Water Temp Range 45 - 90°F
- Water Pressure 10 - 113 PSIG
- Voltage Range 104-127V

Service

- Panels easily removed and all components accessible for service.
- For proper air circulation and ease of maintenance/service, allow 6" (15 cm) clearance at rear, left side, and top for air and water. Allow 12" (30 cm) clearance at right side for air-cooled models.

Plumbing

- Icemaker Water Supply Line: Minimum 1/4" Nominal ID Copper Water Tubing or Equivalent
- Icemaker Drain Line: Minimum 3/4" Nominal ID Hard Pipe or Equivalent
- Water-Cooled Model (Lines Must Be Independent of Icemaker)
- Condenser Water Supply Line: Minimum 1/4" Nominal ID Copper Water Tubing or Equivalent
- Condenser Drain/Return Line: Minimum 1/4" Nominal ID Hard Pipe (open drain system) or Copper Water Tubing (closed loop system) or Equivalent



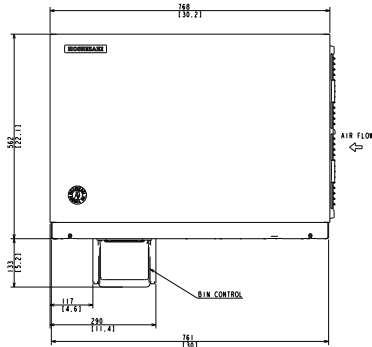
KMD-460M_H

MODULAR CRESCENT CUBER

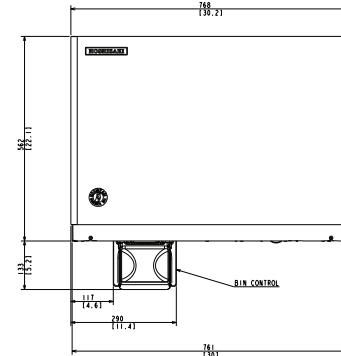


KMD-460M_H
04/11/17
Item # 13346

FRONT VIEW

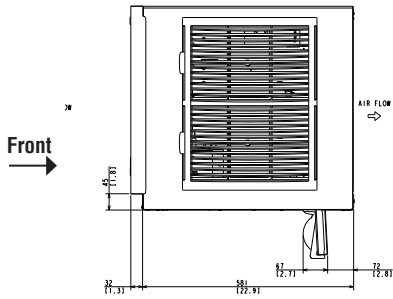


AIR-COOLED

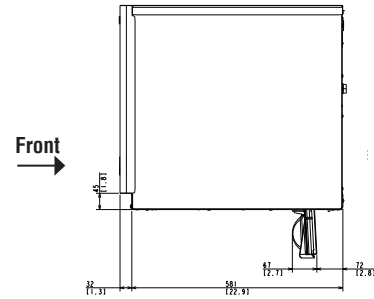


WATER-COOLED

SIDE VIEW

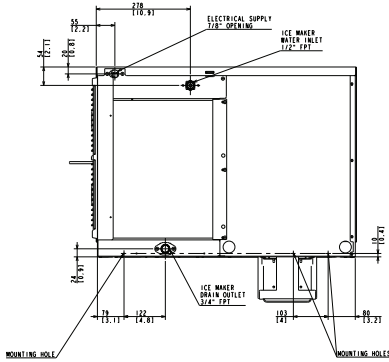


AIR-COOLED

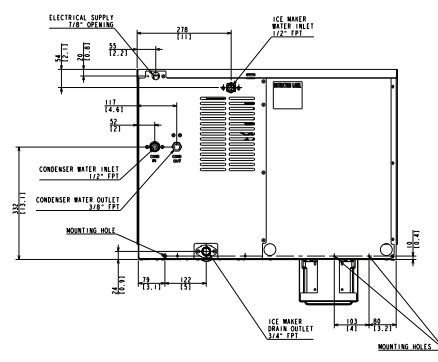


WATER-COOLED

BACK VIEW

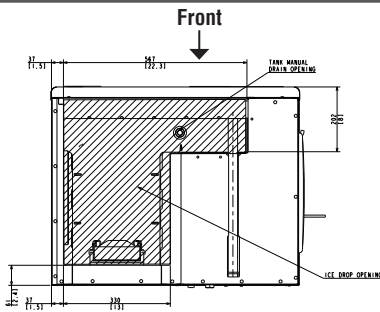


AIR-COOLED

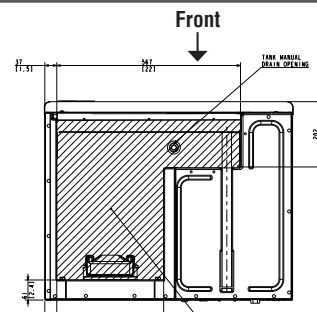


WATER-COOLED

BOTTOM VIEW



AIR-COOLED



WATER-COOLED