



# KMD-530M\_H


MODULAR CRESCENT CUBER





KMD-530M\_H  
01/21/18  
Item # 13350

Item #: \_\_\_\_\_  
Project: \_\_\_\_\_  
Qty: \_\_\_\_\_  
AIA#: \_\_\_\_\_

## Features

- ▶ Individual crescent cube
- ▶ Stainless steel evaporator
- ▶ CycleSaver™ design 

- Up to 560 lbs. of ice production per 24 hours
- Ice on beverage design
- Durable stainless steel exterior
- Protected by H-Guard Plus  Antimicrobial Agent
- EverCheck™ alert system 
- Removable air filters (Air-cooled model only)
- Front air inlet panels available for side-by-side application (used with HS-5065)
- R-404A Refrigerant

### Available on Bins:

**B-250PF** **BD-500PF/SF** **B-800PF/SF** **B-1150SS**  
**B-500PF/SF** **B-700PF/SF** **B-900PF/SF** **B-1300SS**

Top kit may be required. See Bin Spec Sheets.

### Warranty:

3 Year Parts & Labor on entire machine. 5 Year Parts & Labor on Evaporator. 5 Year Parts on Compressor; air-cooled condenser coil. Valid in United States, Canada, Puerto Rico and U.S. Territories. Contact factory for warranty in other countries.

**W x D x H**  
**30" x 24<sup>1/4"</sup> x 22<sup>1/8"</sup>**

Shipping Dimensions  
33<sup>1/4"</sup> x 33<sup>1/2"</sup> x 28"

**KM Edge**  
**DESIGN**

**KMD-530MAH**  
Air-Cooled  
Shown on optional  
Lancer 30" Dispenser

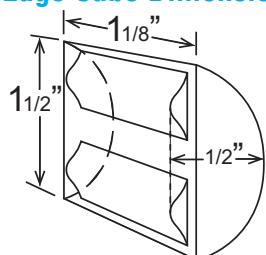
**KMD-530MWH**  
Water-Cooled

**KMD-530MRH**  
Remote Air-Cooled



Condenser	Model	ICE PRODUCTION		WATER USAGE		ELECTRICAL							
		Air / Water Temp Lbs. per 24 hours 70°/50°F 90°/70°F		Potable Gal. per 100 lbs. 90°/70°F	Condenser Gal. per 100 lbs. 90°/70°F	kWh Used per 100 lbs. 90°/70°F	Max. Fuse Sz or HACR Circuit Bkr	Amperage	Voltage	Circuit Wires (including ground)	Heat Rejection BTU/hr.	Refrigerant Charge Amount	Net / Ship Weight (lbs.)
Air	KMD-530MAH	553	462	17.1	N/A	5.7	20A	12A	115V/60/1	3	6,800	1 lb. 2.5 oz.	130 / 170
Water	KMD-530MWH	540	520	20.9	102	4.4	20A	10.5A	115V/60/1	3	7,080	14.1 oz.	130 / 170
Remote	KMD-530MRH	560	488	16.5	N/A	5.8	20A	12A	115V/60/1	3	7,800	3 lb. 13.7 oz. (with condenser)	130 / 170

## KM Edge Cube Dimensions\*



\* approximate size in inches, image not to scale

## Operating Limits

- Ambient Temp Range 45 - 100°F
- Water Temp Range 45 - 90°F
- Water Pressure 10 - 113 PSIG
- Voltage Range 104 - 127V

## Service

- Panels easily removed and all components accessible for service.
- Allow 6" (15 cm) clearance at rear, left side, and top and 12" (30 cm) clearance at right side for air-cooled model. Allow 6" (15 cm) clearance at rear, sides, and top for water-cooled and remote models.

## Plumbing

- Icemaker Water Supply Line: Min. 1/4" Nominal ID Copper Water Tubing or Equivalent
- Icemaker Drain Line: Min. 3/4" Nominal ID Hard Pipe or Equivalent Water-Cooled Model (Lines Must Be Independent of Icemaker)
- Condenser Water Supply Line: Minimum 1/4" Nominal ID Copper Water Tubing or Equivalent
- Condenser Drain/Return Line: Minimum 1/4" Nominal ID Hard Pipe (open drain system) or Copper Water Tubing (closed loop system) or Equivalent

## Water Filter

Please refer to water filter specification sheet for recommendations.

Hoshizaki reserves the right to change specifications without notice.



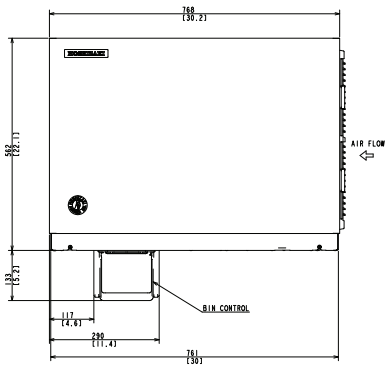
# KMD-530M\_H

## MODULAR CRESCENT CUBER

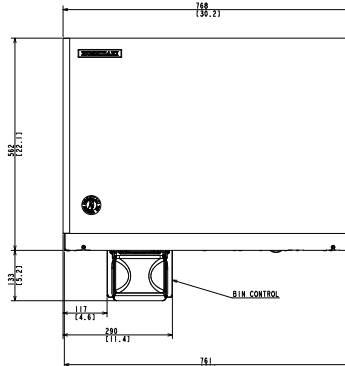


KMD-530M\_H  
01/21/18  
Item # 13350

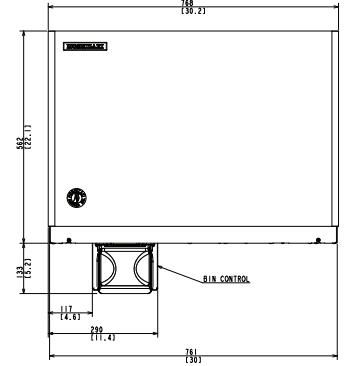
FRONT VIEW



AIR-COOLED

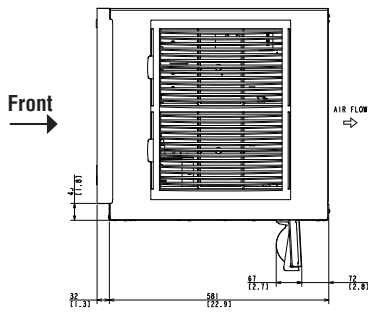


WATER-COOLED

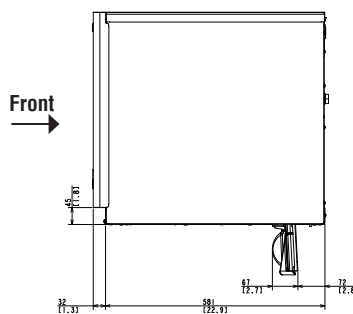


REMOTE AIR-COOLED

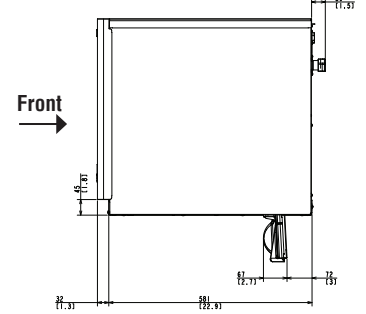
SIDE VIEW



AIR-COOLED

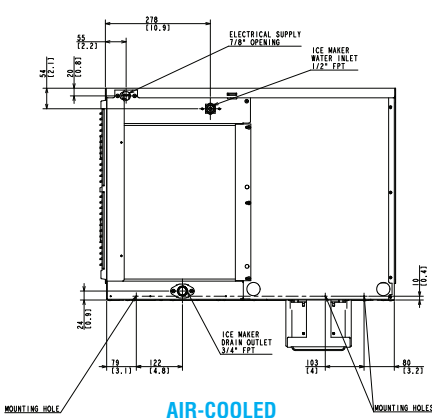


WATER-COOLED

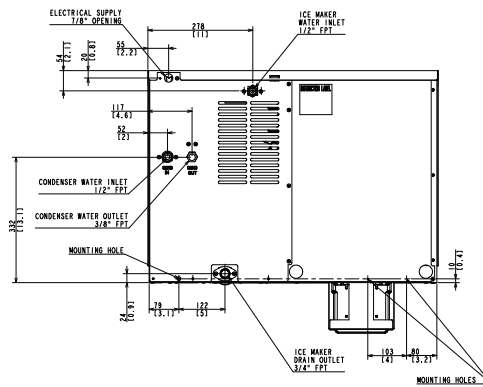


REMOTE AIR-COOLED

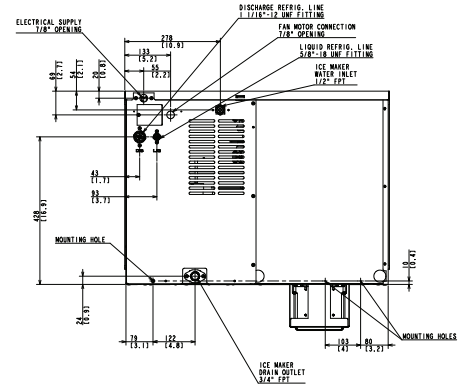
REAR VIEW



AIR-COOLED

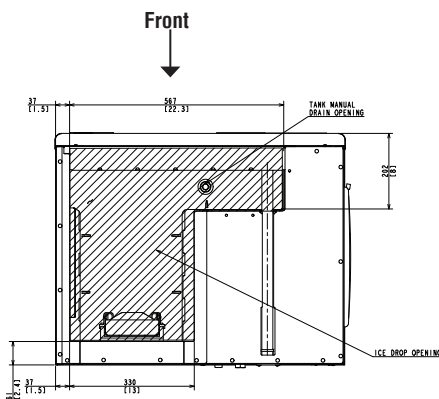


WATER-COOLED



REMOTE AIR-COOLED

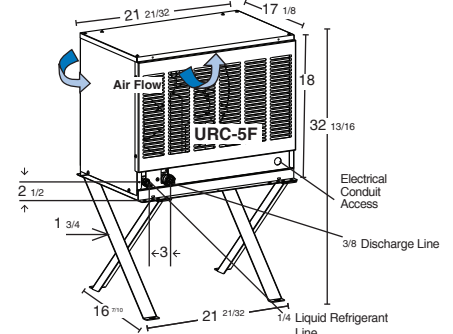
BOTTOM VIEW



AIR-COOLED Model Shown

Bottom dimensions are common for all KMD-530 Models

URC-5F Remote Condenser (Sold Separately)  
For Use with KMD-530MRH



Voltage supply for the URC Remote Condenser is supplied from the Ice Maker. No additional circuit is required.

Pre-Charged Tubing Kits

(Sold Separately)  
20' R404-2046-2  
35' R404-3546-2

