



KMD-530M_H

MODULAR CRESCENT CUBER



KMD-530M_H
04/11/17
Item0 # 13350

Item #: _____
Project: _____
Qty: _____
AIA#: _____

Features

- ▶ Individual crescent cube
- ▶ Stainless steel evaporator
- ▶ CycleSaver™ design

- Up to 560 lbs. of ice production per 24 hours
- Ice on beverage design
- Durable stainless steel exterior
- Protected by H-Guard Plus Antimicrobial Agent
- EverCheck™ alert system
- Removable air filters (Air-cooled model only)
- Front air inlet panels available for side-by-side application (used with HS-5065)
- R-404A Refrigerant

Available on Bins:

B-250PF **BD-500PF/SF** **B-800PF/SF** **B-1150SS**
B-500PF/SF **B-700PF/SF** **B-900PF/SF** **B-1300SS**

Top kit may be required. See Bin Spec Sheets.

Warranty:

3 Year Parts & Labor on entire machine. 5 Year Parts & Labor on Evaporator. 5 Year Parts on Compressor; air-cooled condenser coil. Valid in United States, Canada, Puerto Rico and U.S. Territories. Contact factory for warranty in other countries.

W x D x H
30" x 24^{1/4"} x 22^{1/8"}

KM Edge SERIES

KMD-530MAH ★

Air-Cooled
Shown on optional
Lancer 30" Dispenser

KMD-530MWH

Water-Cooled

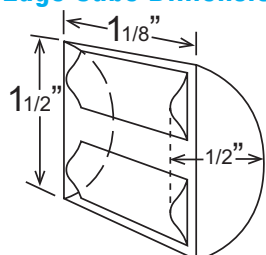
KMD-530MRH

Remote Air-Cooled



Condenser	Model	ICE PRODUCTION		Per Cycle		WATER USAGE			ELECTRICAL			Heat Rejection BTU/hr.	Shipping Weight	ENERGY STAR®
		Air / Water Temp Lbs. per 24 hours	70°/ 50°F 90°/ 70°F	Lbs.	Cubes	Potable Gal. per 100 lbs.	Condenser Gal. per 100 lbs.	kWh Used per 100 lbs.	Max. Fuse Size or HACR Circuit Breaker	Amperage	Voltage			
Air-Cooled	KMD-530MAH	553	462	9.3	432	17.1	N/A	5.7	20A	12A	115/60/1	6,800	170 lbs.	★
Water-Cooled	KMD-530MWH	540	520	10	432	20.9	102	4.4	20A	10.5A	115/60/1	7,080	170 lbs.	
Remote Air-Cooled	KMD-530MRH	560	488	9.6	432	16.5	N/A	5.8	20A	12A	115/60/1	7,800	170 lbs.	

KM Edge Cube Dimensions*



* approximate size in inches, image not to scale

Operating Limits

- Ambient Temp Range 45 - 100°F
- Water Temp Range 45 - 90°F
- Water Pressure 10 - 113 PSIG
- Voltage Range 104 - 127V

Service

- Panels easily removed and all components accessible for service.
- For proper air circulation and ease of maintenance/service, allow 6" (15 cm) clearance at rear, sides, and top for air, water, and remote models. Allow 12" (30 cm) clearance at right side for air-cooled models.

Plumbing

- Icemaker Water Supply Line: Minimum 1/4" Nominal ID Copper Water Tubing or Equivalent
- Icemaker Drain Line: Minimum 3/4" Nominal ID Hard Pipe or Equivalent
- Water-Cooled Model (Lines Must Be Independent of Icemaker)
- Condenser Water Supply Line: Minimum 1/4" Nominal ID Copper Water Tubing or Equivalent
- Condenser Drain/Return Line: Minimum 1/4" Nominal ID Hard Pipe (open drain system) or Copper Water Tubing (closed loop system) or Equivalent



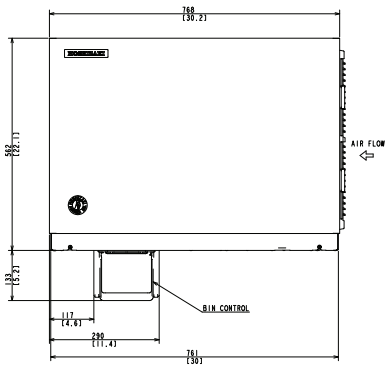
KMD-530M_H

MODULAR CRESCENT CUBER

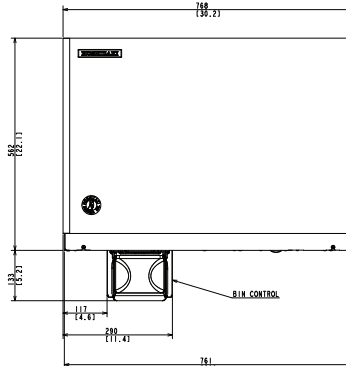


KMD-530M_H
04/11/17
Item # 13350

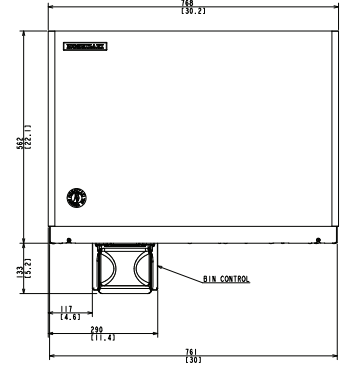
FRONT VIEW



AIR-COOLED

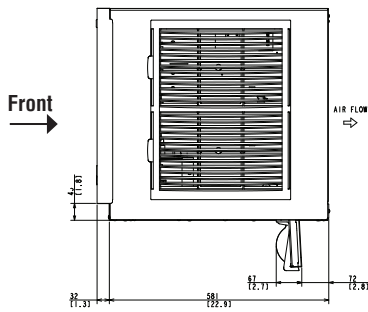


WATER-COOLED

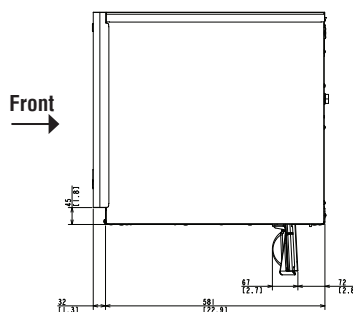


REMOTE AIR-COOLED

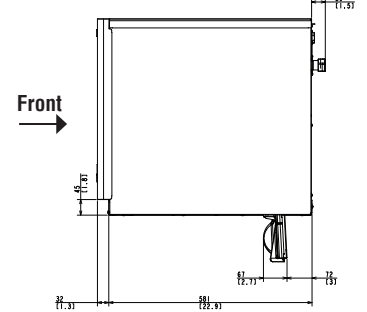
SIDE VIEW



AIR-COOLED

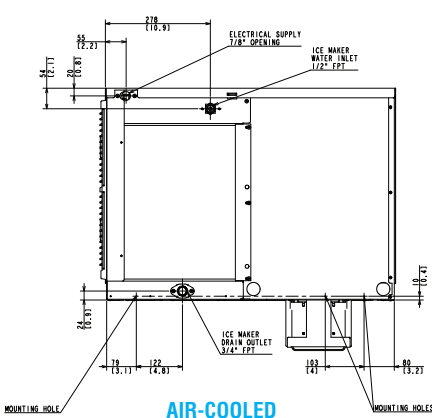


WATER-COOLED

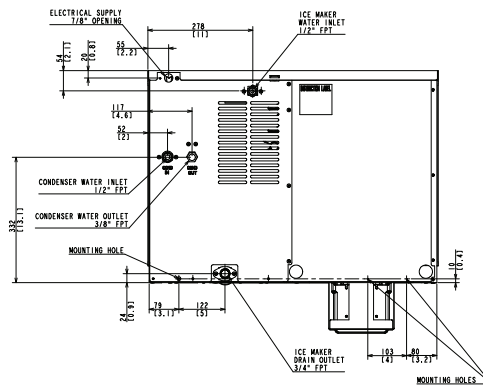


REMOTE AIR-COOLED

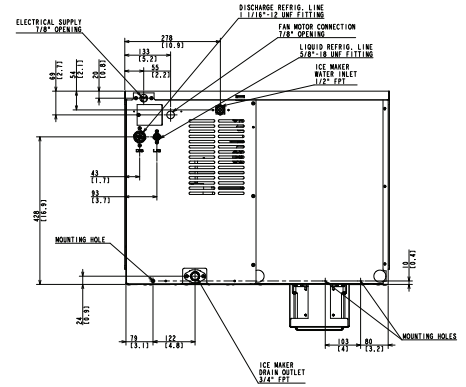
REAR VIEW



AIR-COOLED

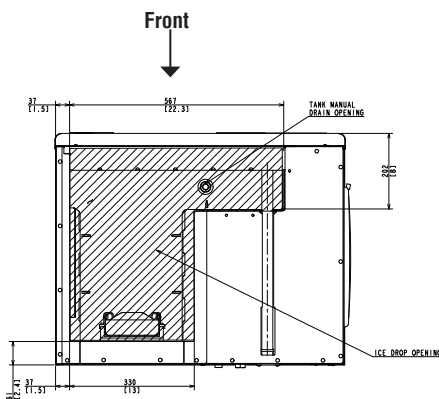


WATER-COOLED



REMOTE AIR-COOLED

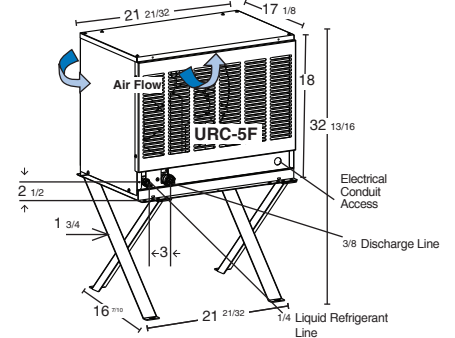
BOTTOM VIEW



AIR-COOLED Model Shown

Bottom dimensions are common for all KMD-530 Models

URC-5F Remote Condenser (Sold Separately)
For Use with KMD-530MRH



Voltage supply for the URC Remote Condenser is supplied from the Ice Maker. No additional circuit is required.

Pre-Charged Tubing Kits

(Sold Separately)
20' R404-2046-2
35' R404-3546-2

