



# KML-325/500M\_J

LOW-PROFILE MODULAR CRESCENT CUBER



KML-325/500M\_J  
01/18/18  
Item # 13413

Item #: \_\_\_\_\_  
Project: \_\_\_\_\_  
Qty: \_\_\_\_\_  
AIA#: \_\_\_\_\_

**W x D x H**  
**30" x 27<sup>3/8</sup>" x 22"**

Shipping Dimensions  
33<sup>1/4</sup>" x 33<sup>1/2</sup>" x 28"

**KM Edge**  
DESIGN

**KML-325MAJ**  
Air-Cooled

Shown on optional bin B-500


**KML-325MWJ**  
Water-Cooled



**KML-500MAJ**  
Air-Cooled

**KML-500MWJ**  
Water-Cooled



## Features

- ▶ Individual crescent cube
- ▶ Stainless steel evaporator
- ▶ CycleSaver™ design 

- KML-325: Up to 385 lbs. of ice production per 24 hrs.
- KML-500: Up to 543 lbs. of ice production per 24 hrs.
- Durable stainless steel exterior
- Protected by H-GUARD Plus  Antimicrobial Agent
- EverCheck™ alert system 
- Removable air filters (Air-cooled model only)
- R-404A Refrigerant

### Available on Bins:

B-250PF B-800PF/SF B-1150SS B-1650SS\*  
B-500PF/SF B-900PF/SF B-1300SS DB-200H  
B-700PF/SF B-1150SS B-1500SS\* DM-200B

Top kit may be required. See Bin Spec Sheets. \*Two unit application only.

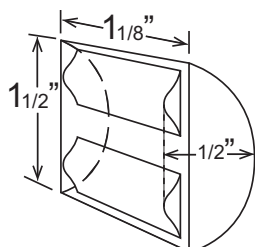
### Warranty:

3 Year Parts & Labor on entire machine. 5 Year Parts & Labor on Evaporator. 5 Year Parts on Compressor; air-cooled condenser coil. Valid in United States, Canada, Puerto Rico and U.S. Territories. Contact factory for warranty in other countries.



Condenser	Model	ICE PRODUCTION		WATER USAGE		ELECTRICAL							
		Air / Water Temp Lbs. per 24 hours 70°/ 50°F 90°/ 70°F	Potable Gal. per 100 lbs. 90°/ 70°F	Condenser Gal. per 100 lbs. 90°/ 70°F	kWh Used per 100 lbs. 90°/ 70°F	Max. Fuse Sz or HACR Circuit Bkr	Amperage	Voltage	Circuit Wires (including ground)	Heat Rejection BTU/hr.	Refrigerant Charge Amount	Net / Ship Weight (lbs.)	
Air	KML-325MAJ	380	300	19.9	N/A	5.72	15A	8.4A	115V/60/1	3	5,800	1 lb. 5.2 oz.	154 / 185
Water	KML-325MWJ	385	355	17.0	106	4.51	15A	8.4A	115V/60/1	3	5,500	1 lb. 1.6 oz.	154 / 185
Air	KML-500MAJ	442	400	16.0	N/A	5.55	20A	7.6A	115V/60/1	3	6,200	1 lb. 10.5 oz.	154 / 185
Water	KML-500MWJ	543	515	16.0	110	4.33	20A	9.6A	115V/60/1	3	8,000	15.9 oz.	154 / 185

## KM Edge Cube Dimensions\*



\* approximate size in inches, image not to scale

## Operating Limits

- Ambient Temp Range 45 - 100°F
- Water Temp Range 45 - 90°F
- Water Pressure 10 - 113 PSIG
- Voltage Range 104 - 127V

## Service

- Allow 6" (15 cm) clearance at rear, sides, and top for proper air circulation and ease of maintenance/service.
- Removable air filters (air-cooled model only).

## Plumbing

- Icemaker Water Supply Line: Min. 1/4" Nominal ID Copper Water Tubing or Equivalent
- Icemaker Drain Line: Min. 3/4" Nominal ID Hard Pipe or Equivalent Water-Cooled Model (Lines Must Be Independent of Icemaker)
- Condenser Water Supply Line: Min. 1/4" Nominal ID Copper Water Tubing or Equivalent
- Condenser Drain/Return Line: Min. 1/4" Nominal ID Hard Pipe (open drain system) or Copper Water Tubing (closed loop system) or Equivalent

## Water Filter

Please refer to water filter spec sheet for recommended configurations.

Hoshizaki reserves the right to change specifications without notice.



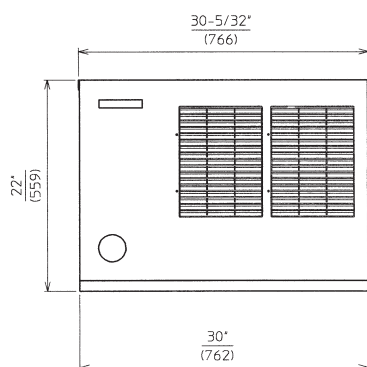
# KML-325/500M\_J

## LOW-PROFILE MODULAR CRESCENT CUBER

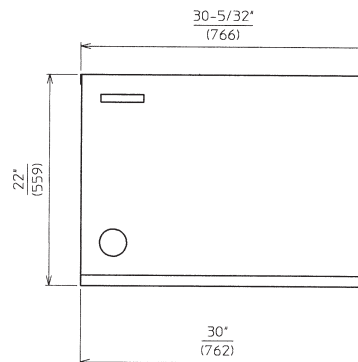


KML-325/500M\_J  
01/18/18  
Item # 13413

FRONT VIEW

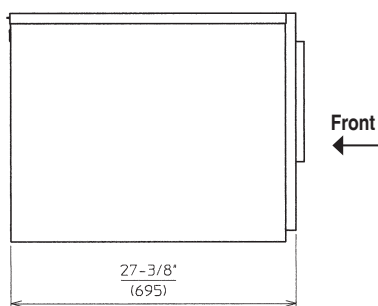


AIR-COOLED

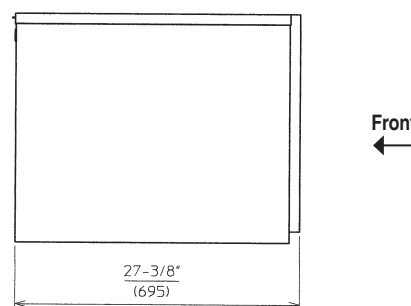


WATER-COOLED

SIDE VIEW

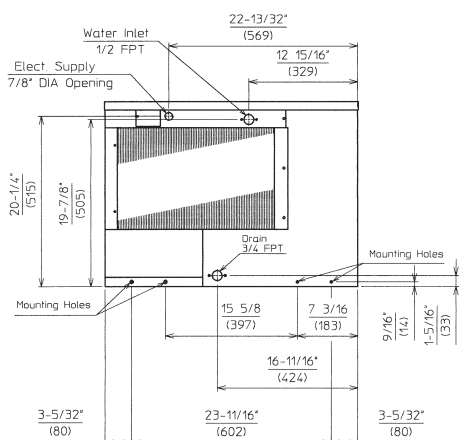


AIR-COOLED

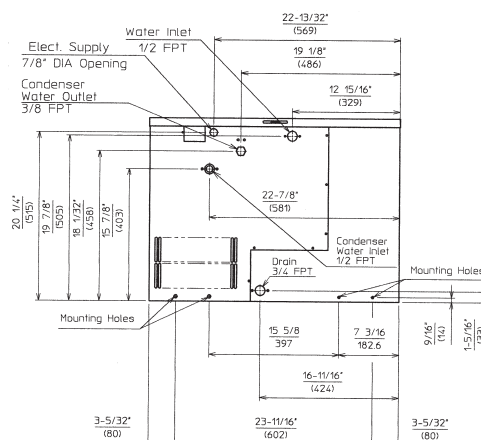


WATER-COOLED

REAR VIEW

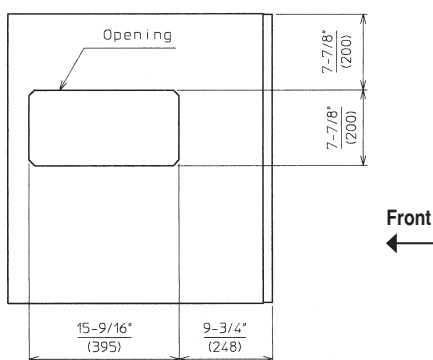


AIR-COOLED

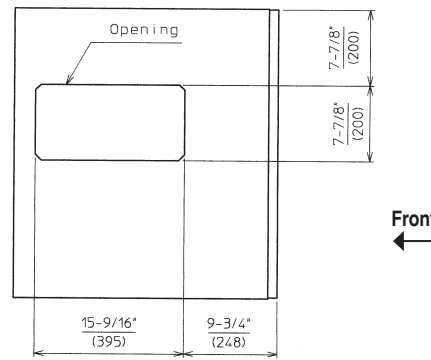


WATER-COOLED

BOTTOM VIEW



AIR-COOLED



WATER-COOLED