

# KML-451M\_H

## LOW-PROFILE MODULAR CRESCENT CUBER

Item # \_\_\_\_\_

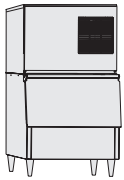
Project: \_\_\_\_\_

Qty: \_\_\_\_\_  
 \*AutoCad available on KCL

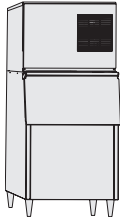
KML-451M\_H  
 04/05/16  
 Item # 13211

### CUBER DIMENSIONS W x D x H

**KML-451M\_H**  
 30 x 27<sup>3/8</sup> x 22



B-250



B-500

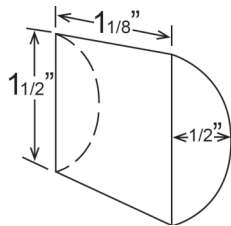


DB-200

Also available on  
 Bins:  
 B-700PF/SF  
 B-800PF/SF  
 B-900PF/SF

Large Bins:  
 B-1150SS  
 B-1300SS  
 B-1500SS  
 B-1650SS

### \*KM CUBE DIMENSIONS



\*approximate size in inches, image not to scale



### KML-451MAH

Air-Cooled  
 Shown on an optional  
 B-500

### KML-451MWH

Water-Cooled

- Up to 429 lbs. of ice production per 24 hours
- Durable stainless steel exterior
- Individual crescent cube
- Protected by H-GUARD Plus Antimicrobial Agent
- CycleSaver™ Design
- EverCheck™ alert system
- Stainless steel evaporator
- Removable air filters
- R-404A Refrigerant

\* The KML-451MAH is ENERGY STAR qualified.

### Warranty

Valid in United States, Canada, Puerto Rico, & U.S. Territories. Contact factory for warranty in other countries.

**Three Year** - Parts & Labor on entire machine.

**Five Year** - Parts & Labor on: Evaporator.

**Five Year** - Parts on: Compressor, air-cooled condenser coil.



© HOSHIZAKI AMERICA, INC.



**DIMENSIONS**  
W x D x H  
**KML-45IM\_H**  
30 x 27<sup>3/8</sup> x 22

- Air-cooled
- Water-cooled

### AIR-COOLED

Water Temp ° F.	50°	70°	90°
Air Temp ° F.			
70°	401	386	355
80°	389	366	329
90°	386	<b>349</b>	314

### WATER-COOLED

Water Temp ° F.	50°	70°	90°
Air Temp ° F.			
70°	429	425	408
80°	426	421	396
90°	425	<b>417</b>	395

### UTILITY CONSUMPTION

Model Number	Ice Production Per Cycle		KWH per 100 LBS. 90/70	Potable Water Gal. per 100 lbs.	Condenser Water Gal. per 100 lbs.
	Lbs.	Cubes			
KML-451MAH	7.6	360	6.1	18.0	NA
KML-451MWH	7.8	360	5.2	20.0	110

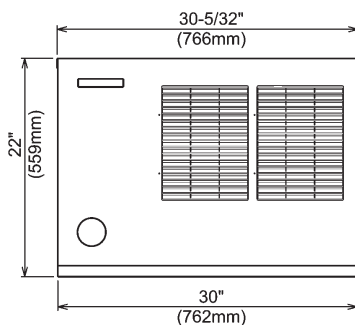
### SPECIFICATIONS

Model Number	Condenser	Amperage	Min. Circuit Ampacity	Shipping Weight
KML-451MAH	Air-Cooled	9.5	20A	185 lbs.
KML-451MWH	Water-Cooled	9.8	20A	185 lbs.

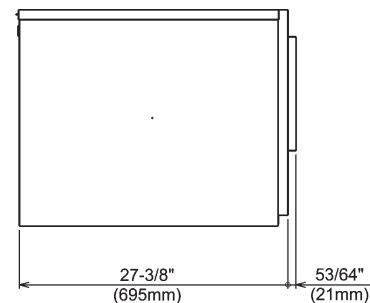
### STORAGE BINS

Model Number	ARI-Rated Storage Capacity*
B-250	230 lbs.
B-500	360 lbs.
B-700	550 lbs.
B-800	600 lbs.
B-900	660 lbs.
B-1150	900 lbs.
B-1300	950 lbs.
B-1500	1120 lbs.
B-1650	1210 lbs.

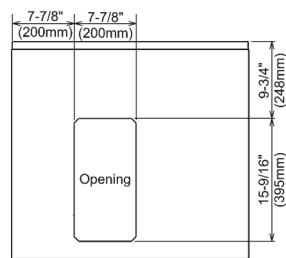
\* Rated in accordance with AHRI Standard 820 (I-P)



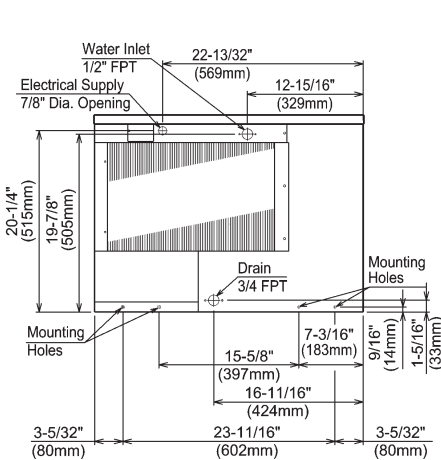
FRONT VIEW



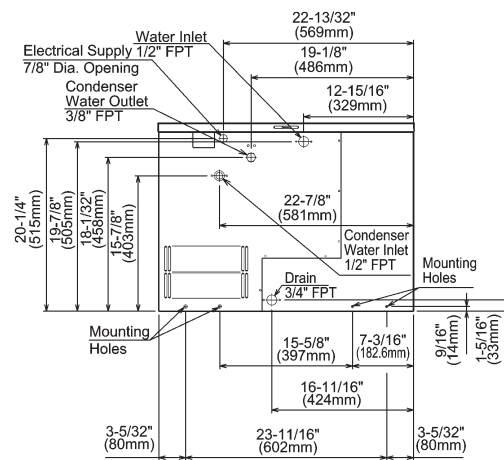
SIDE VIEW



ICE DROP ZONE



AIR-COOLED UNIT



WATER-COOLED UNIT

### ELECTRICAL & PLUMBING/KML-45IM\_H

- 115/60/1
- 20 Amp Max Fuse/HACR Breaker Size
- Icemaker Water Supply Line: Minimum 1/4" Nominal ID Copper Water Tubing or Equivalent
- Icemaker Drain Line: Minimum 3/4" Nominal ID Hard Pipe or Equivalent

### ELECTRICAL & PLUMBING

- Water-Cooled Model (Lines Must be Independent of Icemaker)
- Condenser Water Supply Line: Minimum 1/4" Nominal ID Copper Water Tubing or Equivalent
- Condenser Drain/Return Line: Minimum 1/4" Nominal ID Hard Pipe (open drain system) or Copper Water Tubing (closed loop system) or Equivalent

### OPERATING LIMITS

- Ambient Temp Range 45 - 100°F
- Water Temp Range 45 - 90°F
- Water Pressure 10 - 113psi
- Voltage Range 104 - 127V

### SERVICE

- Panels easily removed and all components accessible for service.
- Removable/cleanable air filters. (Air-cooled models only)



© HOSHIZAKI AMERICA, INC.

618 Hwy. 74 S., Peachtree City, GA 30269

TEL 1-800-438-6087

FAX 1-800-345-1325

www.hoshizaki.com

Printed in U.S.A.

