



# KML-700M\_J

## LOW-PROFILE MODULAR CRESCENT CUBER



KML-700M\_J  
01/21/18  
Item # 13400

Item #: \_\_\_\_\_  
Project: \_\_\_\_\_  
Qty: \_\_\_\_\_  
AIA#: \_\_\_\_\_

**W x D x H**  
**30" x 27<sup>3/8"</sup> x 26"**

Shipping Dimensions  
33<sup>1/4"</sup> x 33<sup>1/2"</sup> x 32"

**KM Edge**  
**DESIGN**

**KML-700MAJ**

Air-Cooled

Shown on optional bin B-500

**KML-700MWJ**


Water-Cooled



**KML-700MRJ** ★

Remote Air-Cooled



## Features

- ▶ Individual crescent cube
- ▶ Stainless steel evaporator
- ▶ CycleSaver™ design 

- Up to 756 lbs. of ice production per 24 hours
- Durable stainless steel exterior
- Protected by H-GUARD Plus  Antimicrobial Agent
- EverCheck™ alert system 
- Removable air filters (Air-cooled model only)
- R-404A Refrigerant

### Available on Bins:

**B-250PF** **B-800PF/SF** **B-1150SS** **B-1650SS\***  
**B-500PF/SF** **B-900PF/SF** **B-1300SS** **DB-200H**  
**B-700PF/SF** **B-1150SS** **B-1500SS\*** **DM-200B**

*Top kit may be required. See Bin Spec Sheets. \*Two unit application only.*

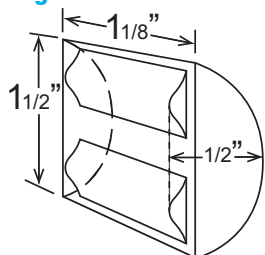
### Warranty:

3 Year Parts & Labor on entire machine. 5 Year Parts & Labor on Evaporator. 5 Year Parts on Compressor; air-cooled condenser coil. Valid in United States, Canada, Puerto Rico and U.S. Territories. Contact factory for warranty in other countries.



Condenser	Model	ICE PRODUCTION		WATER USAGE			ELECTRICAL						
		Air / Water Temp Lbs. per 24 hours 70°/ 50°F	90°/ 70°F	Potable Gal. per 100 lbs. 90°/ 70°F	Condenser Gal. per 100 lbs. 90°/ 70°F	kWh Used per 100 lbs. 90°/ 70°F	Max. Fuse Sz or HACR Circuit Bkr	Amperage	Voltage	Circuit Wires (including ground)	Heat Rejection BTU/hr.	Refrigerant Charge Amount	Net / Ship Weight (lbs.)
Air	KML-700MAJ	658	572	16.0	N/A	5.16	20A	14.2A	115V/60/1	3	11,300	2 lb. 10.3 oz.	200 / 220
Water	KML-700MWJ	756	730	16.0	111	3.61	20A	12.6A	115V/60/1	3	12,600	1 lb. 6 oz.	200 / 220
Remote	KML-700MRJ	742	643	16.0	N/A	4.70	20A	16.0A	115V/60/1	3	11,200	11 lb. 7.4 oz. (with condenser)	200 / 220

## KM Edge Cube Dimensions\*



\* approximate size in inches, image not to scale

## Operating Limits

- Ambient Temp Range 45 - 100°F
- Water Temp Range 45 - 90°F
- Water Pressure 10 - 113 PSIG
- Voltage Range 104 - 127V

## Service

- Allow 6" (15 cm) clearance at rear, sides, and top for proper air circulation and ease of maintenance/service.
- Removable air filters (air-cooled model only).

## Plumbing

- Icemaker Water Supply Line: Min. 1/4" Nominal ID Copper Water Tubing or Equivalent
- Icemaker Drain Line: Min. 3/4" Nominal ID Hard Pipe or Equivalent
- Water-Cooled Model (Lines Must Be Independent of Icemaker)
- Condenser Water Supply Line: Min. 1/4" Nominal ID Copper Water Tubing or Equivalent
- Condenser Drain/Return Line: Min. 1/4" Nominal ID Hard Pipe (open drain system) or Copper Water Tubing (closed loop system) or Equivalent

## Water Filter

Please refer to water filter spec sheet for recommended configurations.

Hoshizaki reserves the right to change specifications without notice.



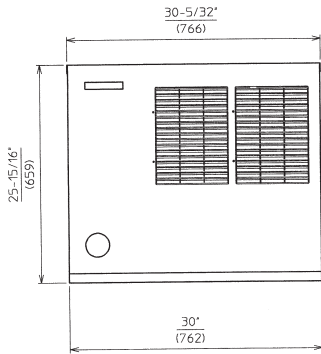
# KML-700M\_J

## LOW-PROFILE MODULAR CRESCENT CUBER

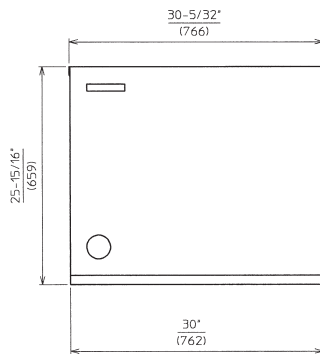


KML-700M\_J  
01/21/18  
Item # 13400

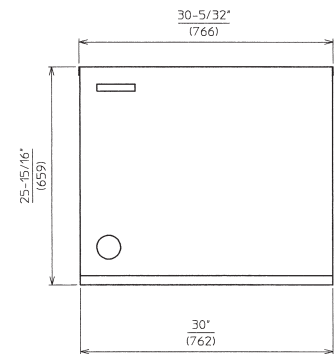
FRONT VIEW



AIR-COOLED

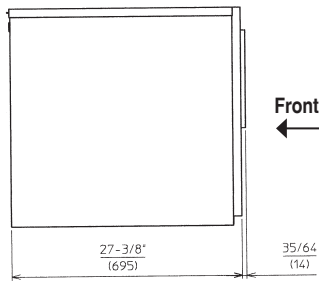


WATER-COOLED

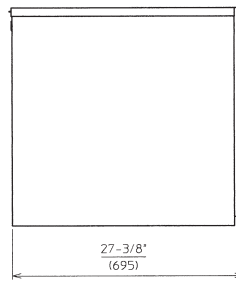


REMOTE AIR-COOLED

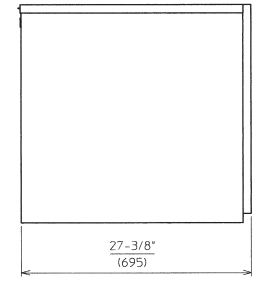
SIDE VIEW



AIR-COOLED

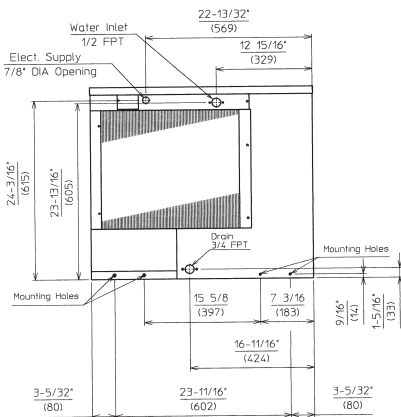


WATER-COOLED

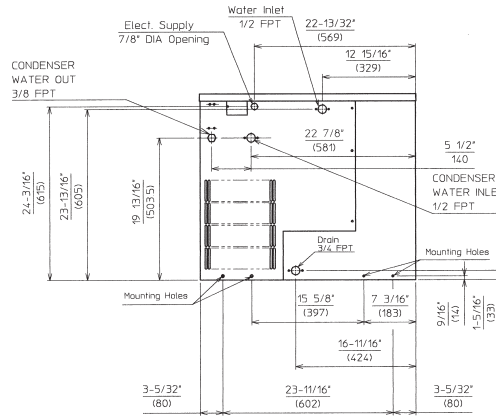


REMOTE AIR-COOLED

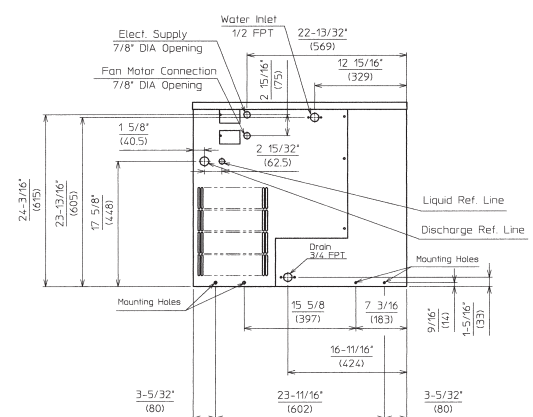
REAR VIEW



AIR-COOLED

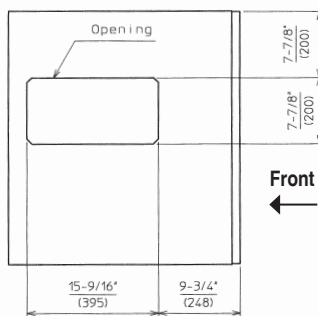


WATER-COOLED



REMOTE AIR-COOLED

BOTTOM VIEW



AIR-COOLED  
WATER-COOLED  
REMOTE AIR-COOLED

**URC-9F Remote Condenser (Sold Separately)**  
(W x D x H) 35 11/16 x 14 1/16 x 36 1/2  
For Use with KML-700MRJ

**Pre-Charged Tubing Kits**  
(Sold Separately)  
20' R404-2068-2  
35' R404-3568-2  
55' R404-5568-2



Voltage supply for the URC Remote Condenser is supplied from the Ice Maker. No additional circuit is required.

