



KML-700M_J

LOW-PROFILE MODULAR CRESCENT CUBER



KML-700M_J
07/08/19
Item # 13400

Item #: _____
 Project: _____
 Qty: _____
 AIA#: _____

W x D x H
30" x 27^{3/8}" x 26"

Shipping Dimensions
33^{1/4}" x 33^{1/2}" x 32"

KM Edge
DESIGN

KML-700MAJ ★

Air-Cooled

Shown on optional bin B-500

KML-700MWJ

Water-Cooled

KML-700MRJ ★

Remote Air-Cooled



Features

▶ Individual crescent cube

▶ Stainless steel evaporator

▶ CycleSaver™ design

- Up to 756 lbs. of ice production per 24 hours
- Durable stainless steel exterior
- Protected by H-GUARD Plus Antimicrobial Agent
- EverCheck™ alert system
- Removable air filters (Air-cooled model only)
- R-404A Refrigerant

Available on Bins:

B-250PF B-800PF/SF B-1150SS B-1650SS*
 B-500PF/SF B-900PF/SF B-1300SS DB-200H
 B-700PF/SF B-1150SS B-1500SS* DM-200B

Top kit may be required. See Bin Spec Sheets. *Two unit application only.

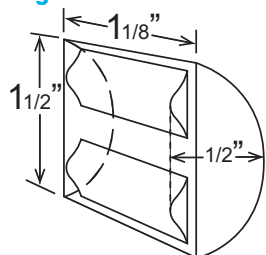
Warranty:

3 Year Parts & Labor on entire machine. 5 Year Parts & Labor on Evaporator.
 5 Year Parts on Compressor; air-cooled condenser coil.
 Valid in United States, Canada, Puerto Rico and U.S. Territories. Contact factory for warranty in other countries.



Condenser	Model	ICE PRODUCTION		WATER USAGE			ELECTRICAL						
		Air / Water Temp Lbs. per 24 hours 70°/50°F 90°/70°F		Potable Gal. per 100 lbs. 90°/70°F	Condenser Gal. per 100 lbs. 90°/70°F	kWh Used per 100 lbs. 90°/70°F	Max. Fuse Sz or HACR Circuit Bkr	Amperage	Voltage	Circuit Wires (including ground)	Heat Rejection BTU/hr.	Refrigerant Charge Amount	Net / Ship Weight (lbs.)
Air	KML-700MAJ	658	572	16.0	N/A	5.16	20A	14.2A	115V/60/1	3	11,300	2 lb. 10.3 oz.	200 / 220
Water	KML-700MWJ	756	730	16.0	111	3.61	20A	12.6A	115V/60/1	3	12,600	1 lb. 6 oz.	200 / 220
Remote	KML-700MRJ	742	643	16.0	N/A	4.70	20A	16.0A	115V/60/1	3	11,200	11 lb. 7.4 oz. (with condenser)	200 / 220

KM Edge Cube Dimensions*



* approximate size in inches, image not to scale

Operating Limits

- Ambient Temp Range 45 - 100°F
- Water Temp Range 45 - 90°F
- Water Pressure 10 - 113 PSIG
- Voltage Range 104 - 127V

Service

- Allow 6" (15 cm) clearance at rear, sides, and top for proper air circulation and ease of maintenance/service.
- Removable air filters (air-cooled model only).

Plumbing

- Icemaker Water Supply Line: Min. 1/4" Nominal ID Copper Water Tubing or Equivalent
- Icemaker Drain Line: Min. 3/4" Nominal ID Hard Pipe or Equivalent
- Water-Cooled Model (Lines Must Be Independent of Icemaker)
- Condenser Water Supply Line: Min. 1/4" Nominal ID Copper Water Tubing or Equivalent
- Condenser Drain/Return Line: Min. 1/4" Nominal ID Hard Pipe (open drain system) or Copper Water Tubing (closed loop system) or Equivalent

Water Filter

Please refer to water filter spec sheet for recommended configurations.

Hoshizaki reserves the right to change specifications without notice.



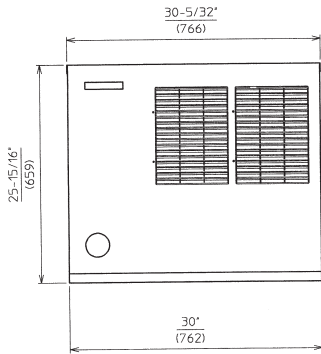
KML-700M_J

LOW-PROFILE MODULAR CRESCENT CUBER

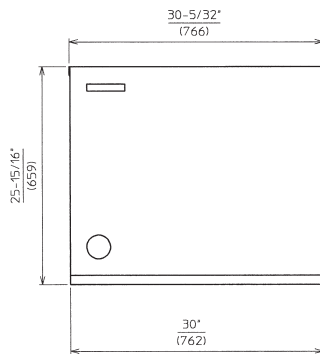


KML-700M_J
07/08/19
Item # 13400

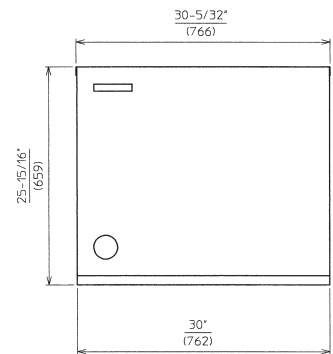
FRONT VIEW



AIR-COOLED

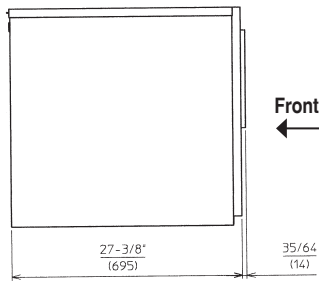


WATER-COOLED

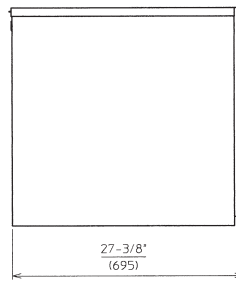


REMOTE AIR-COOLED

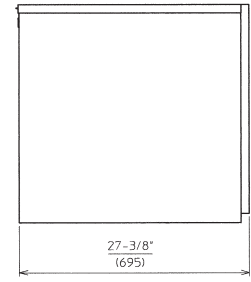
SIDE VIEW



AIR-COOLED

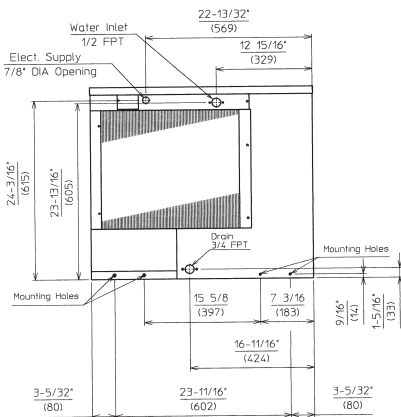


WATER-COOLED

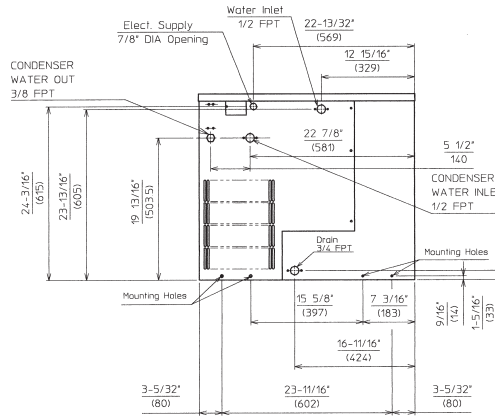


REMOTE AIR-COOLED

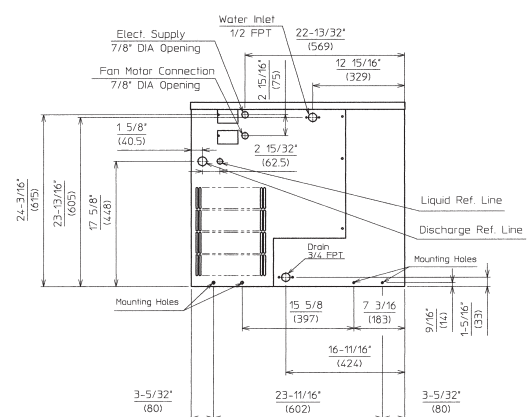
REAR VIEW



AIR-COOLED

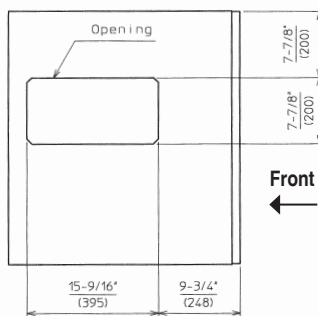


WATER-COOLED



REMOTE AIR-COOLED

BOTTOM VIEW



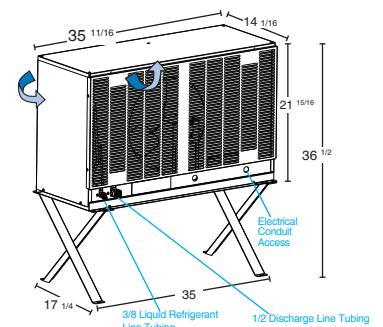
AIR-COOLED
WATER-COOLED
REMOTE AIR-COOLED

URC-9F Remote Condenser (Sold Separately)
(W x D x H) 35 11/16 x 14 1/16 x 36 1/2
For Use with KML-700MRJ

Pre-Charged Tubing Kits
(Sold Separately)
20' R404-2068-2
35' R404-3568-2
55' R404-5568-2



Voltage supply for the URC Remote Condenser is supplied from the Ice Maker. No additional circuit is required.





PF/SF Bins

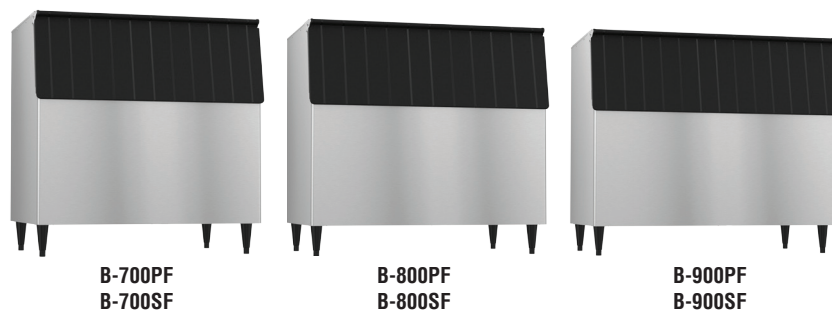
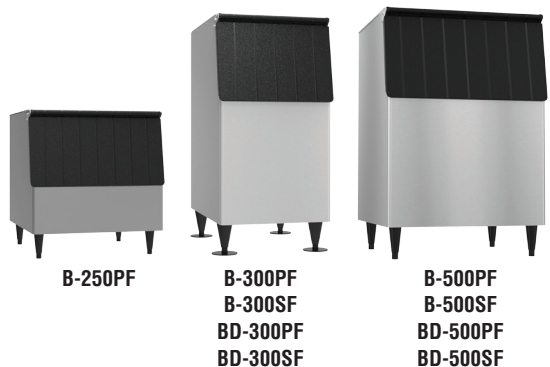
ICE STORAGE BIN SERIES




PF/SF Bins
05/04/18
Item # 13163

Item #: _____
 Project: _____
 Qty: _____
 AIA#: _____

PF - PVC Coated Galvanized Steel Finish
SF - Stainless Steel Finish



Features

- ▶ Protected by H-GUARD Plus Antimicrobial Agent 
- ▶ Polyethylene bin liner for sanitary storage
- ▶ Sturdy construction for side-by-side or stacked ice machine installation

- Ice storage capacity from 250 lbs. up to 900 lbs.
- Both surfaces are designed for easy cleaning
- Long lasting attractive appearance
- Foamed-in-place polyurethane insulation, in all bin walls and bottom, provides dependable ice storage
- H-GUARD Plus Antimicrobial adds extra protection to the ice scoop (included)

BD Bins

- Fit 24" - 24 1/2" deep ice machine without top kit extension



CANADIAN ENERGY
PERFORMANCE VERIFIED
RENDEMENT ENERGETIQUE VERIFIE



ISO9001-ISO14001

Warranty:

2 Year Parts & Labor (Production prior to January 2012)
 3 Year Parts & Labor (Production January 2012 and after)
 Valid in United States, Canada, Puerto Rico and U.S. Territories. Contact factory for warranty in other countries.

Model Number	Exterior Dimensions W x D x H*	Application Storage Capacity †	Cubic Volume	Interior Dimensions W x D x H	Shipping Weight
B-250PF	30" x 32.3" x 33.4"	250 lbs.	10.30 ft ³	27" x 27.7" x 23.7"	130 lbs.
B(D)-300PF/SF	22" x 32.3" x 46"	300 lbs.	11.51 ft ³	19" x 27.7" x 37.6"	135 lbs.
B(D)-500PF/SF	30" x 32.3" x 46"	500 lbs.	16.33 ft ³	27" x 27.7" x 37.6"	155 lbs.
B-700PF/SF	44" x 32.3" x 46"	700 lbs.	24.77 ft ³	41" x 27.7" x 37.6"	200 lbs.
B-800PF/SF	48" x 32.3" x 46"	800 lbs.	26.90 ft ³	45" x 27.7" x 37.6"	210 lbs.
B-900PF/SF	52" x 32.3" x 46"	900 lbs.	29.59 ft ³	49" x 27.7" x 37.6"	220 lbs.

*Height includes 6" legs

† Capacity based on volume x 30 lb/ft³ average density of ice.



PF/SF Bins

ICE STORAGE BIN SERIES



PF/SF Bins
05/04/18
Item # 13163

Ice Machine Model Application

	22" Width	22" Width	30" Width	30" Width	44" Width	44" Width	48" Width
	KM-340M KM-515M KM-600M KM-650M F-450M F-801M F-1002M	KMD-410M* KMS-822M* FD-650M-C* FD-1002M-C*	KM-901M KM-1340M KM-1601M KML Series F-1501M F-2001	KMD-460M* KMD-530M* KMD-860M* KMS-1402M* KMS-2000M*	2 KM-340M 2 KM-515M 2 KM-600M 2 KM-650M IM-500S 2 F-450M 2 F-801M 2 F-1002M	2 KMD-410M 2 KMS-822M 2 FD-650M-C 2 FD-1002M-C	KM-1301S KM-1400S KM-1601S KM-1900S KM-2100S KM-2500S
Bins B-300PF/SF	—	N/A	N/A	N/A	N/A	N/A	N/A
Bins B-250PF B-500PF/SF	NEED HS-2033	NEED HS-2033 & HS-2129	—	NEED HS-2129	N/A	N/A	N/A
Bins B-700PF/SF	NEED HS-2035	NEED HS-2035 & HS-2130	NEED HS-2034	NEED HS-2034 & HS-2130	—	NEED HS-2130	N/A
Bins B-800PF/SF	NEED HS-2035 & HS-2032	NEED HS-2035 & HS-2032/ 2131	NEED HS-2034 & HS-2032	NEED HS-2131 & HS-2034/2032	NEED HS-2032	NEED HS-2032 & HS-2131	—
Bins B-900PF/SF	NEED HS-2035 & HS-2033	NEED HS-2035 & HS-2033/ HS-2132	NEED HS-2035	NEED HS-2132 & HS-2035	NEED HS-2033	NEED HS-2033 & HS-2132	NEED HS-2032

— No top kit necessary | N/A Combination of ice maker and bin is not possible

BD Bins fit 24" - 24 1/2" deep ice machine without Top Kit extension.

† **BD-300PF/SF:** KMD-410M, KMS-822M, FD-650M-C, FD-1002M-C

‡ **BD-500PF/SF:** KMD-460M, KMD-530, KMD-860

* Any KMS or FD on bin need Top Kit Extension (excludes KMS-830MLH):

- HS-2129 - for use with B-500 bins

- HS-2131 - for use with B-800 bins

- HS-2130 - for use with B-700 bins

- HS-2132 - for use with B-900 bins

Top Kits:

HS-2032 - 4" ABS Top Kit

HS-2033 - 8" ABS Top Kit

HS-2034 - 14" ABS Top Kit

HS-2035 - 22" ABS Top Kit

HS-2036 - (2) 4" ABS Top Kits

HS-2111 - 11.3" x 26.2" Stainless

Cover/Separator

HS-2148 - 30" x 3.1" Stainless Cover

HS-2160 - 2 KM-901M

