

Technical data sheet for

E22M3 ON THE SK23 STAND

Half Size Manual / Electric Convection Oven
on a Stainless Steel Stand



STANDARD FEATURES

- 3 half size sheet pan capacity
- 2 $\frac{5}{8}$ " / 70mm tray spacing
- Compact 24" / 610mm width
- Single direction low-velocity fan
- 1.5kW heating power
- 110-120V plug-in 15A NEMA 5-15P cordset fitted
- Porcelain enameled oven chamber
- Plug-in continuous oven door seal
- Safe-Touch vented drop down door
- Stay-Cool door handle
- Heavy-duty door hinges
- Easy clean door glass system
- Mechanical thermostat 150-500°F / 50-260°C
- 60 minute timer with time up alarm
- Anti-skid 2" / 50mm dia. 3" / 76mm high adjustable stainless steel feet
- 3 oven wire racks supplied
- 100% recyclable packaging

ACCESSORIES

- Turbofan SK23 Oven Stand



E22M3

Unit shall be a Moffat electrically heated Turbofan convection oven E.T.L. listed and NSF-4 listed. The oven shall have a one piece porcelain enameled oven chamber, stainless top and sides and safe touch vented easy clean drop down door. Oven shall have capacity for three half size sheet pans. The oven shall have a single direction low velocity fan system. The oven shall be controlled by a mechanical thermostat with a range of 150-500°F / 50-260°C, and 60 minute bake timer. Oven shall be able to be bench mounted on 3" / 76mm feet or mounted on oven stand model SK23. Oven shall be fitted with a NEMA 5-15P cordset. Unit shall be supplied in 100% recyclable shipping packaging.

SK23

Unit shall be a Moffat Turbofan stainless steel oven stand NSF-4 listed. The stand shall be constructed from stainless steel tube with castors, with front castors having dual swivel and wheel locks. It shall be fitted with 6 tray runners suitable for half size sheet pans. The stand shall be fully compatible with, and support, Turbofan Convection Oven models E22 and E23. Unit shall be supplied in 100% recyclable shipping packaging.

E22M3 Half Size Manual / Electric Convection Oven on a Stainless Steel Stand

CONSTRUCTION

Porcelain enameled fully welded oven chamber
 Stainless steel front, sides and top exterior
 Stainless steel oven fan baffle
 Removable 3 position chrome plated wire side racks
 Oven racks chrome plated wire (3 supplied)
 Stainless steel frame drop down hinged door
 0.2" / 5mm thick door outer glass
 0.2" / 5mm thick low energy loss door inner glass
 Heavy-duty counterbalanced door hinges
 Wear resistant powder coated welded door handle
 Stainless steel control panel
 Aluminized coated steel base and rear panels

CONTROLS

Power ON control panel indicator
 Mechanical thermostat 150-500°F / 50-260°C
 Heating ON control panel indicator
 Manual 60 minute timer
 Time-Up control panel indicator and buzzer

CLEANING

Stainless steel top and sides continuous exterior panel
 Porcelain enameled oven chamber
 Fully removable chrome plated oven side racks
 Removable stainless steel oven fan baffle
 Easy clean door system with hinge out door inner glass (no tools required)
 Removable plug-in oven door seal (no tools required)
 3" / 76mm high stainless steel feet for easy access underside

SPECIFICATIONS

Electrical Requirements
 110-120V, 50/60Hz, 1-phase, 1.5kW, 12A
 NEMA 5-15P cordset fitted



External Dimensions

Width 24" / 610mm
 Height 21¾" / 552mm including 3" / 76mm feet
 Depth 23⅞" / 608mm

Oven Internal Dimensions

Width 19½" / 495mm
 Height 10" / 250mm
 Depth 13⅜" / 340mm
 Volume 1.48ft³ / 0.042m³

Oven Rack Dimensions

Width 18" / 460mm

Depth 13" / 330mm

Nett Weight (E22M3)
 78lbs / 35.4kg

Packing Data (E22M3)

106lbs / 48kg
 12 ft³ / 0.34m³
 Width 29½" / 750mm
 Height 27¾" / 705mm
 Depth 25" / 635mm

SK23 Stainless Steel Stand

All stainless steel welded frame oven stand for Turbofan E22 and E23 Series ovens
 6 position tray runners standard
 3" / 76mm diameter wheel swivel castors standard with 2 front castors with dual swivel and wheel
 Welded 1½" and 1¼" square tube front and rear frames
 Welded rack supports/side frames
 4 dia. 3" / 76mm swivel castors with 2 front castors dual wheel and swivel lock
 Top frame oven supports suit Turbofan E22 and E23 Series
 Oven mounting
 Supplied CKD for assembly on site

External Dimensions (SK23 Oven Stand)

Width 24" / 610mm
 Height 34⅝" / 880mm
 Depth 20⅞" / 530mm

Nett Weight (SK23 Oven Stand)
 35lbs / 16kg

Packing Data (SK23 Oven Stand)

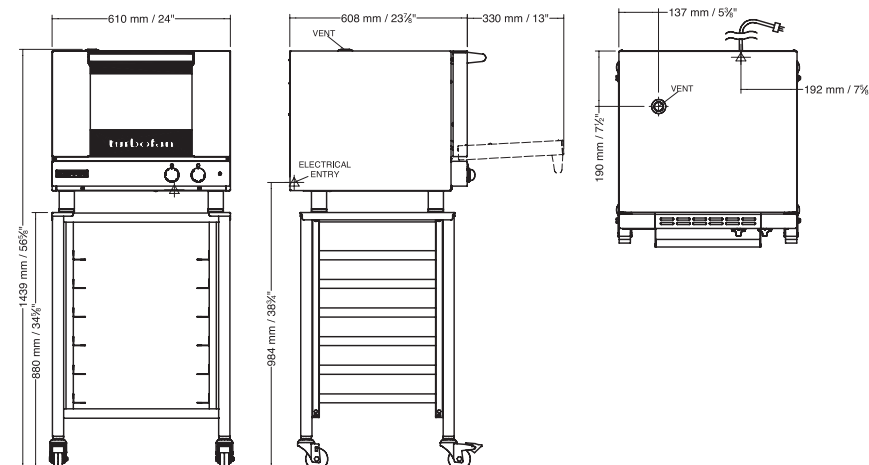
40lbs / 18kg
 3.2ft³ / 0.09m³
 Width 24⅞" / 630mm
 Height 35½" / 900mm
 Depth 6" / 152mm

INSTALLATION CLEARANCES

Rear 1" / 25mm
 LH Side 1" / 25mm
 RH Side 1" / 25mm

CLEARANCE FROM SOURCES OF HEAT

A minimum distance of 12" / 300mm from the appliance sides is required



www.moffatusa.com
 www.turbofanoven.com

U.S.A.

Moffat Inc
 3765 Champion Boulevard
 Winston-Salem
 North Carolina 27105
 Ph Toll Free 1-800-551 8795
 Ph 336-661 0257
 Fax 336-661 9546
 Email sales@moffat.com
 www.moffatusa.com

Manufactured by:
 Moffat Limited
 45 Illinois Drive, Izone Business Hub
 Rolleston 7675, New Zealand



Designed and manufactured by



ISO9001

All Turbofan products are designed and manufactured by Moffat using the internationally recognised ISO9001 quality management system, covering design, manufacture and final inspection, ensuring consistent high quality at all times.

In line with policy to continually develop and improve its products, Moffat Limited reserves the right to change specifications and design without notice.

