



KFC3511
3.5 Cup Food Chopper

INSTRUCTIONS

Hachoir de capacité à 3,5 tasses

INSTRUCTIONS

Picadora con capacidad para 3,5 tazas

INSTRUCCIONES



FOR THE WAY IT'S MADE.®

USA: 1.800.541.6390
Canada: 1.800.807.6777

KitchenAid.com
KitchenAid.ca

Welcome to the world of KitchenAid.®

We're committed to helping you create a lifetime of delicious meals for family and friends. To help ensure the longevity and performance of your appliance, keep this guide handy. It will empower you with the best way to use and care for your product. Your satisfaction is our #1 goal. We're so confident the quality of our products meets the exacting standards of KitchenAid that, if your Food Chopper should fail within the first year of ownership, KitchenAid will arrange to deliver an identical or comparable replacement to your door free of charge and arrange to have your "failed" Food Chopper returned to us. Remember to register your product online at www.kitchenaid.com, or by mail using the included Product Registration Card.



En EE.UU.: : 1.800.541.6390

En Canadá: 1.800.807.6777

KitchenAid.com

KitchenAid.ca

Table of Contents

Food Chopper Safety.....	4
Important Safeguards	4
Electrical Requirements.....	5
Troubleshooting.....	5
Parts and Features Guide.....	6
Operating Your Food Chopper	7
Before First Use	7
Disassembling the Food Chopper.....	7
Using the Food Chopper.....	8
Removing Ingredients	9
Operating Tips for Great Results	10
Care and Cleaning	9
Warranty.....	10

Proof of Purchase & Product Registration

Always keep a copy of the sales receipt showing the date of purchase of your Food Chopper. Proof of purchase will assure you of in-warranty service. Before you use your Food Chopper, please fill out and mail your product registration card packed with the unit. This card will enable us to contact you in the unlikely event of a product safety notification and assist us in complying with the provisions of the Consumer Product Safety Act. This card does not verify your warranty. Please complete the following for your personal records:

Model Number _____

Serial Number _____

Date Purchased _____

Store Name _____

Your safety and the safety of others are very important.

We have provided many important safety messages in this manual and on your appliance. Always read and obey all safety messages.



This is the safety alert symbol.

This symbol alerts you to potential hazards that can kill or hurt you and others.

All safety messages will follow the safety alert symbol and either the word “DANGER” or “WARNING.” These words mean:

 **DANGER**

You can be killed or seriously injured if you don't immediately follow instructions.

 **WARNING**

You can be killed or seriously injured if you don't follow instructions.

All safety messages will tell you what the potential hazard is, tell you how to reduce the chance of injury, and tell you what can happen if the instructions are not followed.

IMPORTANT SAFEGUARDS

When using electrical appliances, basic safety precautions should always be followed, including the following:

1. Read all instructions.
2. To protect against risk of electrical shock do not put motor body, cord or electrical plug of this Food Chopper in water or other liquid.
3. Close supervision is necessary when any appliance is used by or near children.
4. Unplug from outlet when not in use, before putting on or taking off parts, and before cleaning.
5. Avoid contacting moving parts.
6. Do not operate any appliance with a damaged cord or plug or after the appliance malfunctions, or is dropped or damaged in any manner. Return appliance to the nearest Authorized Service Facility for examination, repair or electrical or mechanical adjustment.
7. The use of attachments not recommended or sold by the manufacturer may cause fire, electric shock or injury.
8. Do not use outdoors.
9. Do not let cord hang over edge of table or counter.
10. Keep hands and utensils away from the cutting blade while chopping food to reduce the risk of severe injury to person or damage to the Food Chopper. A scraper may be used but only when the Food Chopper is not running.
11. Blade is sharp. Handle carefully.
12. To reduce the risk of injury, never place cutting blade on base without first putting bowl properly in place.
13. Be certain cover is securely locked in place before operating Food Chopper.
14. Do not attempt to defeat the cover interlock mechanism.
15. This product is designed for household use only.

SAVE THESE INSTRUCTIONS

Food Chopper Safety

Electrical Requirements

Volts: 120 V.A.C.

Hertz: 60 Hz

NOTE: This Food Chopper has a polarized plug (one blade is wider than the other). To reduce the risk of electrical shock, this plug will fit in a polarized outlet only one way. If the plug does not fit fully in the outlet, reverse the plug. If it still does not fit, contact a qualified electrician. Do not modify the plug in any way.

A short power-supply cord is provided to reduce the risk resulting from becoming entangled in or tripping over a longer cord.

Extension cords are available and may be used if care is exercised in their use.

If a longer extension cord is used:

- The marked electrical rating of the extension cord should be at least as great as the electrical rating of the appliance.
- The cord should be arranged so it will not drape over the countertop or tabletop where it can be pulled on by children or tripped over unintentionally.

Troubleshooting

Keep a copy of the sales receipt showing the date of purchase. Proof of purchase will assure you of in-warranty service.

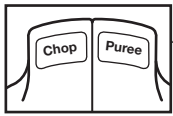
If your Food Chopper should malfunction or fail to operate, check the following:

- Make sure that the bowl and lid are properly aligned and locked in place.
- Press only one button at a time. The Food Chopper will not operate if both buttons are pressed at the same time.
- Is the Food Chopper plugged in?
- Is the fuse in the circuit to the Food Chopper in working order? If you have a circuit breaker box, be sure the circuit is closed.
- Unplug the Food Chopper, then plug it back into the outlet.
- If the Food Chopper is not at room temperature, wait until unit reaches room temperature and retry.

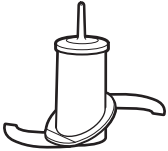
If the problem is not due to one of the above items, see “Warranty”.

Do not return the Food Chopper to the retailer. Retailers do not provide service.

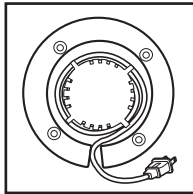
Parts and Features Guide



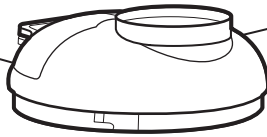
Chop/Puree Buttons



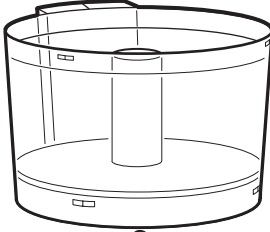
Stainless Steel Multipurpose Blade



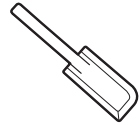
Power Cord Storage



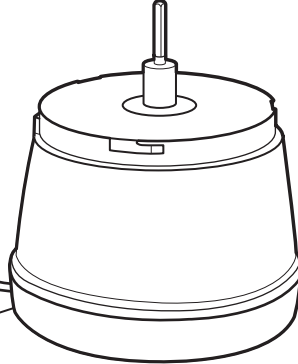
Domed Lid with Wet Ingredient Adder



3.5 Cup Work Bowl



Spatula



Heavy-Duty Base

Chop/Puree Buttons

The Food Chopper features easy one-handed operation with top-mounted buttons. 2 speeds provide optimal results, regardless of the task: Use the **Chop** button for everyday chopping needs. Use the higher **Puree** speed to quickly purée ingredients.

Stainless Steel Multipurpose Blade

This strong, razor-sharp blade quickly processes small amounts of meats, fresh or cooked fruits and vegetables, and nuts and herbs. Blade locks on the shaft to stay in place while you pour out ingredients. Reverse spiral design pulls foods down into blade for uniform chopping, and minimizes need to scrape sides of bowl. The blade is dishwasher-safe.

Domed Lid with Wet Ingredient Adder

The domed lid locks into place to operate the Food Chopper, and removes easily to add ingredients. A wet ingredient adder hole and well in the lid allows you to add liquid ingredients without removing the lid. The lid is dishwasher-safe.

3.5 Cup Work Bowl

The BPA-free 3.5 cup capacity bowl provides a generous working capacity, and removes easily from the base. The work bowl is dishwasher-safe.

Spatula

Use the included spatula to quickly remove chopped food from the sides of the bowl.

Power Cord Storage

The power cord wraps under the base for convenient storage.

Operating Your Food Chopper

⚠ WARNING

Cut Hazard

Handle blades carefully.

Failure to do so can result in cuts.

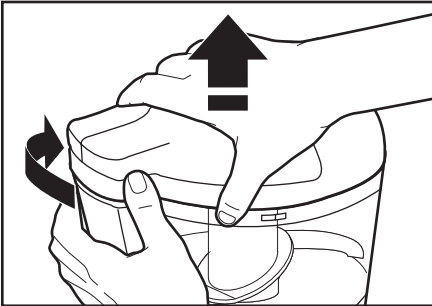
Before First Use

1. Before using the KitchenAid® Food Chopper for the first time, wash the work bowl, lid, and blade in hot, soapy water. Work bowl, lid, and blade may also be washed in the top rack of a dishwasher.
2. Read Food Chopper Operating Tips for recommendations on how to get consistently great results.

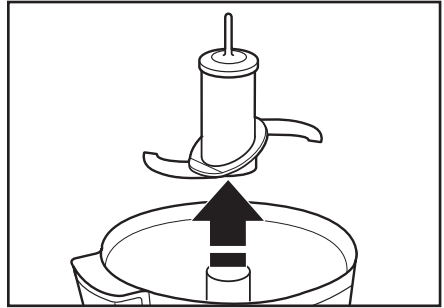
Disassembling the Food Chopper

To disassemble the Food Chopper for cleaning and when removing ingredients from the bowl, follow the instructions below:

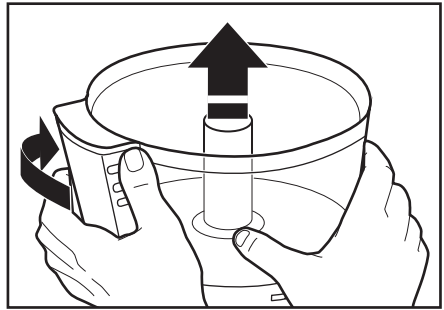
1. Be sure the Food Chopper is unplugged.
2. Holding the lid as shown, twist lid clockwise to unlock, and lift off the bowl.



3. Pull the blade straight up to unlock and remove it from the bowl.



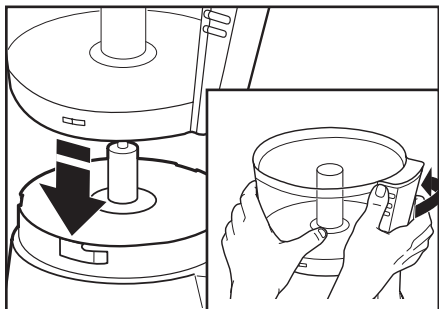
4. Holding the bowl as shown, twist bowl clockwise to unlock, and lift off the base.



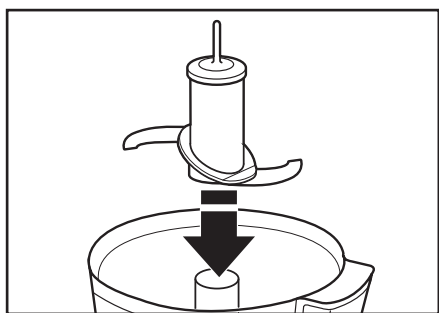
Operating Your Food Chopper

Using the Food Chopper

1. Be sure the Food Chopper is unplugged.
2. Align the tabs on the work bowl with the L-slots on the base. Twist bowl counterclockwise to lock into place.



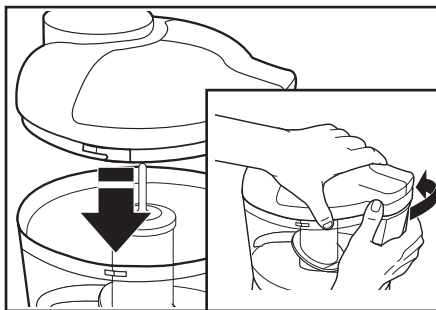
3. Fit the blade over the shaft in the center of the work bowl, rotate, and press down until it locks into operating position.



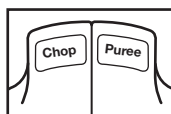
4. Place ingredients to be processed into the work bowl.

5. Place the lid on the workbowl, aligning the L-slots on the lid with the tabs on the work bowl. Twist lid counterclockwise to lock into place as shown below.

NOTE: Bowl and lid must be locked in place for the Food Chopper to operate.



6. Plug power cord into electrical outlet.
7. Press and hold Chop or Puree button to start processing.



NOTE: Food Chopper will not operate if both buttons are pressed at the same time.

8. Use the wet ingredient adder to add liquid ingredients while processing, if desired. See “Operating Tips for Great Results”.
9. When ingredients are chopped to the desired consistency, release the Chop or Puree button.

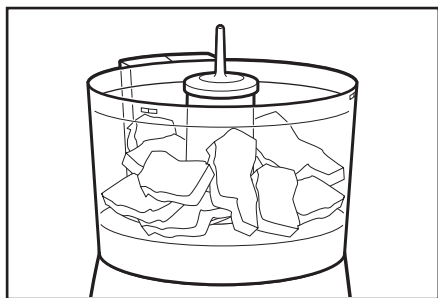
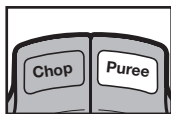
Removing Ingredients

1. Once the blade has stopped spinning, remove lid by twisting it clockwise and lifting it off.
2. Remove the work bowl from the base by twisting it clockwise and lifting it off. Blade locks on the shaft to stay in place while you pour out ingredients
3. Use the spatula to remove ingredients from the work bowl.
4. To remove blade for cleaning, pull the blade straight up to unlock and remove it from the bowl.

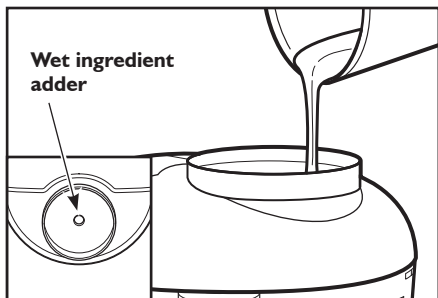
Operating Your Food Chopper

Operating Tips for Great Results

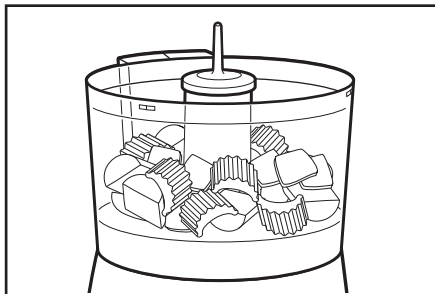
1. To achieve optimal results when grinding raw meat, use the puree button to grind up to 1/2 pound (227g) of meat at one time.



2. For best processing results, press and release the Chop or Puree button. Repeat until ingredients reach the consistency you want.
3. Use the wet ingredient adder to add liquid ingredients such as olive oil during processing.



4. Use your Food Chopper to make bread, cracker, or cookie crumbs. Break bread, crackers, or cookies into small pieces, add to work bowl and process into crumbs.
5. For uniform consistency of processed foods, cut carrots, celery, mushrooms, green peppers, onions and similar vegetables into 1-inch pieces before adding to work bowl.



6. Use your Food Chopper to chop nuts and mince parsley, basil, chives, garlic and other herbs.
7. Make baby food by using your Food Chopper to purée cooked fruit or vegetables. Puréed, cooked fruits and vegetables can also be used as bases for soups or sauces.
8. Do not use your Food Chopper to process coffee beans or hard spices such as nutmegs. Processing these foods could damage the Food Chopper.

Find recipes and more at
www.kitchenaid.com

Care and Cleaning

⚠ WARNING

Cut Hazard

Handle blades carefully.

Failure to do so can result in cuts.

1. Unplug the Food Chopper.
2. Remove the work bowl, lid and blade. Wash in hot, soapy water. Rinse and dry. Work bowl, lid, and blade can also be washed in the top dishwasher rack.
3. Wipe the base clean with a damp cloth. Do not use abrasive cleaners. Do not immerse the base in water.
4. To protect the blade, always reassemble your Food Chopper after cleaning.

KitchenAid® Food Chopper Warranty for the 50 United States, the District of Columbia, and Canada

This warranty extends to the purchaser and any succeeding owner for Food Choppers operated in the 50 United States, the District of Columbia, and Canada.

Length of Warranty:	One Year Full Warranty from date of purchase.
KitchenAid Will Pay for Your Choice of:	Hassle-Free Replacement of your Food Chopper. See the next page for details on how to arrange for service, or call the Customer Satisfaction Center toll-free at 1-800-541-6390 . OR The replacement parts and repair labor costs to correct defects in materials and workmanship. Service must be provided by an Authorized KitchenAid Service Center. See the KitchenAid® Food Chopper Warranty for Puerto Rico on for details on how to arrange for service.
KitchenAid Will Not Pay for:	A. Repairs when Food Chopper is used in other than normal single family home use. B. Damage resulting from accident, alteration, misuse or abuse. C. Any shipping or handling costs to deliver your Food Chopper to an Authorized Service Center. D. Replacement parts or repair labor costs for Food Choppers operated outside the 50 United States and District of Columbia.
DISCLAIMER OF IMPLIED WARRANTIES; LIMITATION OF REMEDIES IMPLIED WARRANTIES, INCLUDING TO THE EXTENT APPLICABLE WARRANTIES OF MERCHANTABILITY OR FITNESS FOR A PARTICULAR PURPOSE, ARE EXCLUDED TO THE EXTENT LEGALLY PERMISSIBLE. ANY IMPLIED WARRANTIES THAT MAY BE IMPOSED BY LAW ARE LIMITED TO ONE YEAR, OR THE SHORTEST PERIOD ALLOWED BY LAW. SOME STATES AND PROVINCES DO NOT ALLOW LIMITATIONS OR EXCLUSIONS ON HOW LONG AN IMPLIED WARRANTY OF MERCHANTABILITY OR FITNESS LASTS, SO THE ABOVE LIMITATIONS OR EXCLUSIONS MAY NOT APPLY TO YOU. IF THIS PRODUCT FAILS TO WORK AS WARRANTED, CUSTOMER'S SOLE AND EXCLUSIVE REMEDY SHALL BE REPAIR OR REPLACEMENT ACCORDING TO THE TERMS OF THIS LIMITED WARRANTY. KITCHENAID AND KITCHENAID CANADA DO NOT ASSUME ANY RESPONSIBILITY FOR INCIDENTAL OR CONSEQUENTIAL DAMAGES. This warranty gives you specific legal rights and you may also have other rights which vary from state to state or province to province.	



KitchenAid® Food Chopper Warranty for Puerto Rico

A limited one year warranty extends to the purchaser and any succeeding owner for Food Choppers operated in Puerto Rico. During the warranty period, all service must be handled by an Authorized KitchenAid Service Center. Please bring the Food

Chopper, or ship it prepaid and insured, to the nearest Authorized Service Center. Call toll-free **1-800-541-6390** to learn the location of a Service Center near you. Your repaired Food Chopper will be returned to you prepaid and insured.

Hassle-Free Replacement Warranty – 50 United States and District of Columbia

We're so confident the quality of our products meets the exacting standards of KitchenAid that, if your Food Chopper should fail within the first year of ownership, KitchenAid will arrange to deliver an identical or comparable replacement to your door free of charge and arrange to have your original Food Chopper returned to us. Your replacement unit will also be covered by our one year limited warranty. Please follow these instructions to receive this quality service.

If your Food Chopper should fail within the first year of ownership, simply call our

toll-free Customer Satisfaction Center at **1-800-541-6390** Monday through Friday, 8 a.m. to 8 p.m. (Eastern Time), or Saturday, 10 a.m. to 5 p.m. Give the consultant your complete shipping address. (No P.O. Box numbers, please.)

When you receive your replacement Food Chopper, use the carton and packing materials to pack up your original Food Chopper. In the carton, include your name and address on a sheet of paper along with a copy of the proof of purchase (register receipt, credit card slip, etc.).

Hassle-Free Replacement Warranty – Canada

We're so confident the quality of our products meets the exacting standards of the KitchenAid® brand that, if your Food Chopper should fail within the first year of ownership, KitchenAid Canada will replace your Food Chopper with an identical or comparable replacement. Your replacement unit will also be covered by our one year limited warranty. Please follow these instructions to receive this quality service.

If your Food Chopper should fail within the first year of ownership, take the Food Chopper or ship collect to an Authorized KitchenAid Service Centre. In the carton

include your name and complete shipping address along with a copy of the proof of purchase (register receipt, credit card slip, etc.). Your replacement Food Chopper will be returned prepaid and insured. If you are unable to obtain satisfactory service in this manner call our toll-free Customer Interaction Centre at **1-800-807-6777**.

Or write to us at:
Customer Interaction Centre
KitchenAid Canada
1901 Minnesota Court
Mississauga, ON L5N 3A7

Arranging for Service after the Warranty Expires, or Ordering Accessories and Replacement Parts

In the United States and Puerto Rico:

For service information, , or to order accessories or replacement parts, call toll-free at **1-800-541-6390** or write to: Customer Satisfaction Center, KitchenAid Portable Appliances, P.O. Box 218, St. Joseph, MI 49085-0218

Outside the United States and Puerto Rico:

Consult your local KitchenAid dealer or the store where you purchased the Food Chopper for information on how to obtain service.

For service information in Canada:

Call toll-free **1-800-807-6777**.

Or write to:
Customer Interaction Centre
KitchenAid Canada
1901 Minnesota Court
Mississauga, ON L5N 3A7

Bienvenue dans le monde KitchenAid®

Nous nous engageons à vous aider perpétuellement à créer de délicieux repas en famille et entre amis. Pour contribuer à la longévité et à une bonne performance de votre appareil, conservez ce guide à portée de main. Il vous permettra d'utiliser et d'entretenir de votre produit de la meilleure manière qui soit. Votre satisfaction est notre objectif numéro 1. Nous sommes tellement certains que la qualité de nos produits satisfait aux normes exigeantes de KitchenAid que, si le hachoir cesse de fonctionner au cours de la première année suivant son achat, KitchenAid livrera gratuitement à votre porte un appareil de remplacement identique ou comparable et prendra les dispositions nécessaires pour que le hachoir «défaillant » nous soit retourné. Ne pas oublier d'enregistrer votre produit en ligne sur www.kitchenaid.com ou par courrier à l'aide de la carte d'enregistrement du produit ci-jointe.



USA: 1.800.541.6390
Canada: 1.800.807.6777

KitchenAid.com
KitchenAid.ca

Table des matières

Sécurité du hachoir	14
Important Consignes de Sécurité	14
Spécifications électriques	15
Dépannage.....	15
Guide des caractéristiques et des pièces.....	16
Fonctionnement de votre hachoir	17
Avant la première utilisation	17
Démontage du hachoir	17
Utilisation du hachoir.....	18
Retirer les ingrédients.....	19
Conseils d' utilisation pour de bons résultats	19
Entretien et nettoyage	20
Garantie	21

Preuve d'achat et enregistrement du produit

Toujours conserver une copie du ticket de caisse indiquant la date d'achat du hachoir. La preuve d'achat vous garantit le bénéfice du service après-vente. Avant d'utiliser le hachoir, remplir et envoyer la carte d'enregistrement du produit jointe avec l'appareil. Grâce à cette carte, nous pourrions vous contacter dans le cas peu probable d'un avis de sécurité concernant le produit ; ceci nous permettra également de nous conformer aux dispositions de la loi sur la sécurité des produits de consommation. Cette carte ne confirme pas votre garantie. Remplir ce qui suit pour vos dossiers personnels :

Numéro de modèle _____

Numéro d'identification _____

Date d'achat _____

Nom du magasin et emplacement _____

Votre sécurité et celle des autres est très importante.

Nous donnons de nombreux messages de sécurité importants dans ce manuel et sur votre appareil ménager. Assurez-vous de toujours lire tous les messages de sécurité et de vous y conformer.



Voici le symbole d'alerte de sécurité.

Ce symbole d'alerte de sécurité vous signale les dangers potentiels de décès et de blessures graves à vous et à d'autres.

Tous les messages de sécurité suivront le symbole d'alerte de sécurité et le mot "DANGER" ou "AVERTISSEMENT".

Ces mots signifient :

 **DANGER**

Risque possible de décès ou de blessure grave si vous ne suivez pas immédiatement les instructions.

 **AVERTISSEMENT**

Risque possible de décès ou de blessure grave si vous ne suivez pas les instructions.

Tous les messages de sécurité vous diront quel est le danger potentiel et vous disent comment réduire le risque de blessure et ce qui peut se produire en cas de non-respect des instructions.

IMPORTANTES CONSIGNES DE SÉCURITÉ

Lors de l'utilisation d'appareils électriques, certaines précautions élémentaires de sécurité doivent être toujours suivies, y compris les suivantes :

1. Lire toutes les instructions.
2. Pour éviter tout risque de choc électrique, ne pas immerger le corps du moteur, le cordon ou la prise électrique du hachoir dans de l'eau ou tout autre liquide.
3. Une surveillance attentive s'impose lorsqu'un appareil ménager est utilisé par ou à proximité d'enfants.
4. Débrancher l'appareil lorsqu'il n'est pas utilisé, avant d'y ajouter des pièces ou d'en enlever et avant de le nettoyer.
5. Éviter tout contact avec les pièces en mouvement.
6. Ne pas utiliser un appareil si le cordon ou la prise est endommagé(e), si l'appareil ne fonctionne pas correctement, s'il tombe ou s'il est endommagé d'une quelconque façon. Renvoyer l'appareil au centre de dépannage agréé le plus proche pour examen, réparation ou réglage électrique ou mécanique.
7. L'utilisation d'accessoires non recommandés ou non vendus par le fabricant peut causer un incendie, un choc électrique ou des blessures corporelles.
8. Ne pas utiliser à l'extérieur.
9. Ne pas laisser le cordon pendre par dessus le bord d'une table ou d'un plan de travail.
10. Garder les mains et les ustensiles à l'écart de la lame lors du hachage des aliments afin d'éviter toute blessure corporelle grave ou tout dommage au hachoir. Il est possible d'utiliser un grattoir, mais il doit être employé uniquement lorsque le hachoir ne fonctionne pas.
11. La lame est aiguisée. La manipuler avec précaution.
12. Afin de réduire le risque de blessure, ne jamais placer la lame sur la base sans installer correctement le bol au préalable.
13. S'assurer que le couvercle est bien verrouillé avant de faire fonctionner le hachoir.

14. Ne pas tenter d'outrepasser le dispositif de verrouillage du couvercle.
15. Ce produit est conçu uniquement pour un usage domestique.

CONSERVER CES INSTRUCTIONS

Spécifications électriques

Volts : 120 V CA

Hertz : 60 Hz

REMARQUE : Ce hachoir comporte une fiche polarisée (avec une lame plus large que l'autre). Afin de réduire le risque de choc électrique, cette fiche ne peut être insérée dans une prise que dans un seul sens. Si la fiche ne s'enfonce pas correctement dans la prise, inverser la fiche. Si la fiche ne s'introduit toujours pas, appeler un électricien qualifié. Ne pas modifier la prise de quelque manière que ce soit.

Un cordon d'alimentation court est fourni – ceci élimine le risque d'emmêlement ou de trébuchement suscité par l'emploi d'un cordon d'alimentation long.

Des cordons de rallonge sont disponibles et peuvent être utilisés s'ils sont employés avec précaution.

Si l'on utilise une rallonge longue :

- L'intensité nominale indiquée sur la rallonge doit être au moins égale à celle de l'appareil.
- Le cordon doit être disposé de sorte qu'il ne pende pas par dessus le plan de travail ou la table de cuisine, car des enfants pourraient tirer dessus ou trébucher dessus involontairement.

Dépannage

Conserver une copie du reçu de vente indiquant la date d'achat de l'appareil. La preuve d'achat vous garantit le bénéfice du service après-vente.

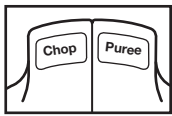
Si le hachoir fonctionne mal ou ne fonctionne pas, vérifier ce qui suit :

- S'assurer que le bol et le couvercle sont correctement alignés et bien verrouillés.
- N'appuyer que sur un bouton à la fois. Le hachoir ne fonctionne pas si l'on appuie sur les deux boutons en même temps.
- Le hachoir est-il branché ?
- Le fusible du circuit alimentant le hachoir est-il en état de marche ? Si l'on possède un disjoncteur, s'assurer que le circuit est fermé.
- Débrancher le hachoir puis le rebrancher dans la prise.
- Si le hachoir n'est pas à température ambiante, attendre que l'appareil atteigne la température ambiante puis réessayer.

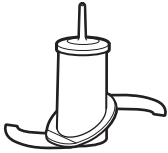
Si le problème n'est pas dû à l'une des raisons indiquées ci-dessus, voir "Garantie".

Ne pas rapporter le hachoir au détaillant. Les détaillants n'assurent aucun service après-vente.

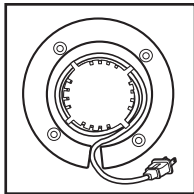
Guide des caractéristiques et des pièces



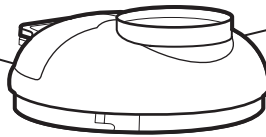
**Boutons Chop/
Puree (hacher/
réduire en purée)**



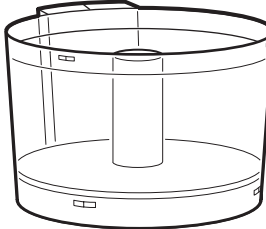
**Lame polyvalente
en acier inoxydable**



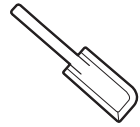
**Rangement du cordon
d'alimentation**



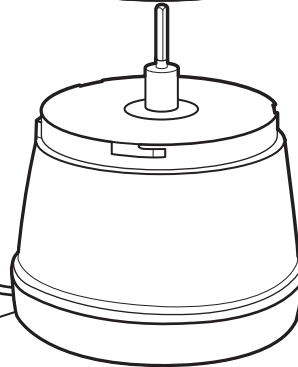
**Couvercle bombé
avec orifice d'ajout
d'ingrédients liquides**



**Bol de travail
de 3,5 tasses**



Spatule



Base robuste

Boutons Chop/Puree (hacher/réduire en purée)

Le hachoir se caractérise par une manipulation facile d'une seule main avec des boutons placés sur le dessus. Deux vitesses fournissent des résultats optimaux, quelle que soit la tâche : Utiliser le bouton Chop (hacher) pour hacher au quotidien. Utiliser la vitesse plus rapide Puree (réduire en purée) afin de broyer rapidement les ingrédients.

Lame polyvalente en acier inoxydable

Cette lame, résistante et tranchante comme un rasoir, permet de préparer rapidement de petites quantités de viande, des fruits et légumes crus ou cuits, des noix et des herbes. La lame se verrouille sur l'arbre afin de rester en place pendant que vous versez les ingrédients du bol.

Le design de spirale inversée entraîne les aliments vers la lame pour un hachage uniforme, et réduit la nécessité de raclez les parois du bol. La lame peut être lavée au lave-vaisselle.

Couvercle bombé avec orifice pour ajout d'ingrédients liquides

Le couvercle bombé s'enclenche en place permettant le fonctionnement du hachoir et se retire facilement afin d'ajouter des ingrédients. Un orifice et un canal pour ajout d'ingrédients liquides intégrés au couvercle vous permet d'ajouter des ingrédients liquides sans avoir à retirer le couvercle. Le couvercle peut être lavé au lave-vaisselle.

Bol de travail de 3,5 tasses

Le bol d'une capacité de 3,5 tasses exempt de BPA offre une grande capacité de travail, et se retire facilement de la base. Le bol peut être lavé au lave-vaisselle.

Spatule

Utiliser la spatule incluse afin de retirer rapidement les ingrédients hachés des parois du bol.

Rangement du cordon d'alimentation

Le cordon d'alimentation s'enroule sous la base pour un rangement pratique.

AVERTISSEMENT

Risque de coupure

Manipulez les lames avec précaution.

Le non-respect de cette instruction peut causer des coupures.

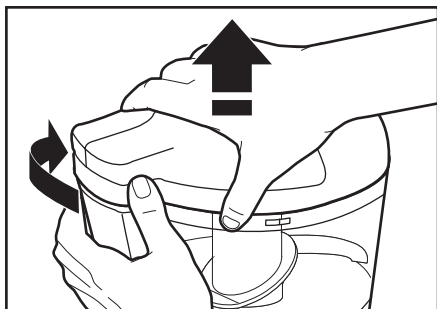
Avant la première utilisation

1. Avant d'utiliser le hachoir KitchenAid® pour la première fois, laver le bol de travail, le couvercle et la lame dans de l'eau chaude savonneuse. Le bol de travail, le couvercle, et la lame peuvent aussi être lavés dans le panier supérieur du lave-vaisselle.
2. Lire les conseils d'utilisation du hachoir concernant les recommandations pour obtenir systématiquement de bons résultats.

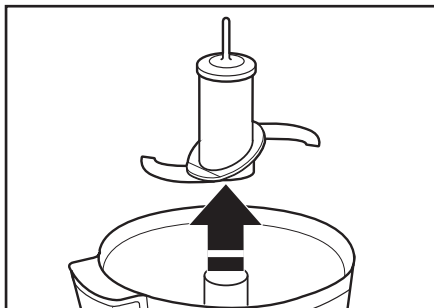
Démontage du hachoir

Pour démonter le hachoir aux fins de nettoyage et pour retirer les ingrédients du bol, suivre les instructions ci-dessous :

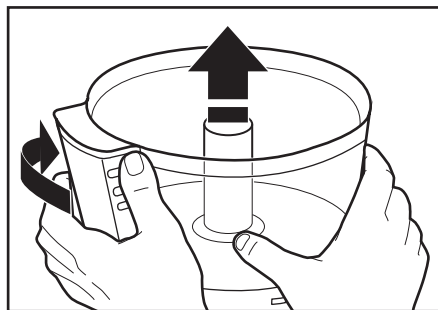
1. S'assurer que le hachoir est débranché.
2. Tenir le couvercle tel qu'indiqué, le tourner dans le sens horaire pour le déverrouiller, et le retirer du bol en le soulevant.



3. Relever tout droit la lame vers le haut pour la déverrouiller et la retirer du bol.



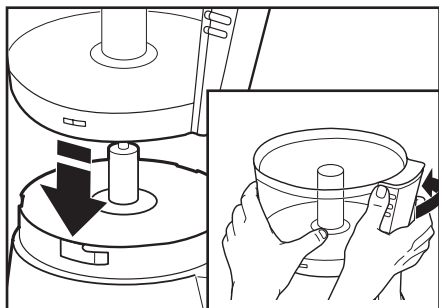
4. Tenir le bol tel qu'indiqué, le tourner dans le sens horaire pour le déverrouiller, et le soulever de la base.



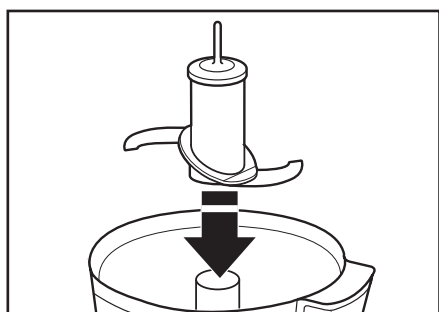
Fonctionnement de votre hachoir

Utilisation du hachoir

1. S'assurer que le hachoir est débranché.
2. Aligner les indicateurs du bol de travail avec les fentes en L de la base. Tourner le bol dans le sens antihoraire pour le verrouiller.



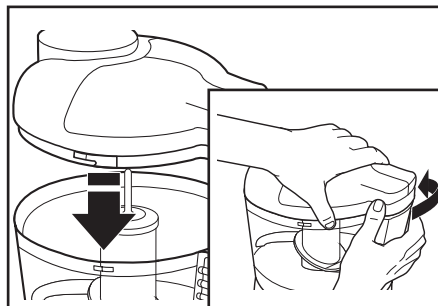
3. Fixer la lame sur l'arbre au centre du bol de travail, faire pivoter, et appuyer pour l'enclencher en position de marche.



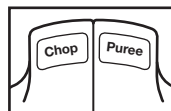
4. Mettre les ingrédients à broyer dans le bol de travail.

5. Poser le couvercle sur le bol de travail, en alignant les fentes en L du couvercle avec les indicateurs du bol de travail. Tourner le couvercle dans le sens antihoraire pour l'enclencher en place tel qu'indiqué ci-dessous.

REMARQUE : Le bol et le couvercle doivent s'enclencher en place pour que le hachoir puisse fonctionner.



6. Brancher le cordon d'alimentation dans la prise de courant.
7. Appuyer et tenir le bouton Chop (hacher) ou Puree (réduire en purée) afin de commencer le mixage.



REMARQUE : Le hachoir ne fonctionnera pas si l'on appuie simultanément sur les deux boutons.

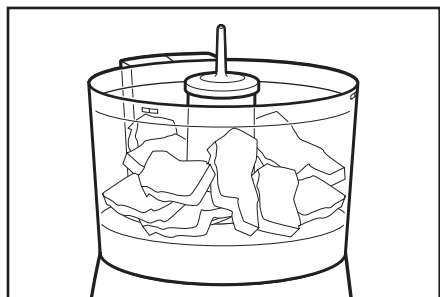
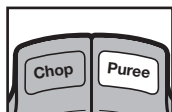
8. Utiliser l'orifice d'ajout d'ingrédients liquides pour ajouter des ingrédients liquides au cours du mixage, si désiré. Voir « Conseils d'utilisation pour de bons résultats ».
9. Une fois que l'on a obtenu la consistance souhaitée pour les aliments, relâcher le bouton Chop (hacher) ou Puree (réduire en purée).

Retirer les ingrédients

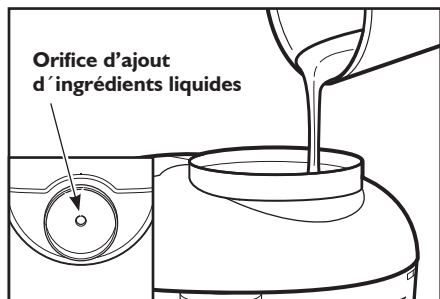
1. Une fois que la lame s'est arrêtée de tourner, retirer le couvercle en le tournant dans le sens horaire et le soulever.
2. Retirer le bol de travail de la base en le tournant dans le sens horaire et le soulever. La lame s'enclenche sur l'arbre pour demeurer en place pendant que vous versez les ingrédients du bol.
3. Utiliser la spatule afin de retirer les ingrédients du bol de travail.
4. Pour retirer la lame aux fins de nettoyage, la relever tout droit vers le haut pour la déverrouiller et la retirer du bol.

Conseils d'utilisation pour de bons résultats

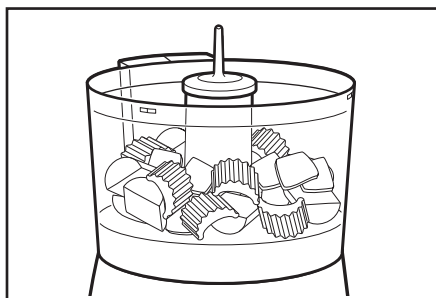
1. Pour obtenir des résultats optimaux au moment de hacher de la viande crue, utiliser le bouton Puree pour broyer jusqu'à une demi-livre (227 g) de viande à la fois.



2. Pour un mixage plus efficace, appuyer et relâcher le bouton Chop (hacher) ou Puree (réduire en purée). Répéter jusqu'à ce que les ingrédients prennent la consistance souhaitée.
3. Utiliser l'orifice d'ajout d'ingrédients liquides pour ajouter un ingrédient tel que de l'huile d'olive au cours du mixage.



4. Utiliser votre hachoir pour préparer de la chapelure à base de pain, de craquelins, ou de biscuits. Couper le pain, les craquelins ou les biscuits en petits morceaux, les ajouter au bol de travail et mixer pour les réduire en miettes.
5. Afin d'uniformiser la consistance des aliments broyés, couper les carottes, le céleri, les champignons, les poivrons verts, les oignons, et autres légumes semblables en morceaux d'un pouce, avant de les ajouter au bol de travail.



6. Utiliser votre hachoir pour broyer des noix et émincer du persil, du basilic, de la ciboulette, de l'ail et d'autres herbes.
7. Préparer des aliments pour bébé en utilisant votre hachoir pour réduire en purée des fruits ou légumes cuits. Les fruits et les légumes cuits et réduits en purée peuvent également servir de base pour les soupes ou les sauces.
8. Ne pas utiliser votre hachoir pour mouliner des grains de café ou des épices de consistance ferme comme de la muscade. Le traitement de ces aliments pourrait endommager le hachoir.

Se trouver les recettes et plus à
www.kitchenaid.ca

AVERTISSEMENT

Risque de coupure

Manipulez les lames avec précaution.

Le non-respect de cette instruction peut causer des coupures.

1. Débrancher le hachoir.
2. Retirer le bol de travail, le couvercle et la lame. Laver dans de l'eau chaude savonneuse. Rincer et sécher. Le bol de travail, le couvercle, et la lame peuvent aussi être lavés dans le panier supérieur du lave-vaisselle.
3. Essuyer soigneusement la base avec un chiffon humide. Ne pas utiliser de produits de nettoyage abrasifs. Ne pas plonger la base dans l'eau.
4. Pour protéger la lame, toujours réassembler votre hachoir après le nettoyage.

Garantie du hachoir KitchenAid® pour les 50 États des États-Unis, le district fédéral de Columbia, et le Canada

Cette garantie couvre l'acheteur et les propriétaires suivants du hachoir lorsqu'il est utilisé dans les 50 États des États-Unis, le district fédéral de Columbia, et le Canada.

Durée de la garantie : La garantie complète d'un an à compter de la date d'achat.

KitchenAid prendra en charge les éléments suivants selon votre choix :



Le remplacement satisfaction totale du hachoir. Voir l'intérieur de la couverture pour des détails concernant la procédure à suivre pour un dépannage, ou composer le numéro sans frais

1-800-541-6390 du centre de satisfaction de la clientèle. OU

Les frais de pièces de rechange et de main-d'œuvre pour corriger les vices de matériaux et de fabrication. Le service doit être fourni par un centre de réparation agréé KitchenAid. Voir la garantie du hachoir KitchenAid® de Porto Rico pour des détails concernant la procédure à suivre pour un dépannage.

KitchenAid ne paiera pas pour :

- A.** Les réparations lorsque le hachoir est utilisé à des fins autres qu'un usage domestique unifamilial normal.
- B.** Les dommages causés par : accident, altération, mésusage ou abus.
- C.** Tout frais d'expédition ou de manutention afin de livrer le hachoir à un centre de réparation agréé.
- D.** Les frais des pièces de rechange ou de main d'œuvre pour le hachoir lorsqu'il est utilisé à l'extérieur des 50 États des États-Unis et du district fédéral de Columbia.

CLAUDE DE NON RESPONSABILITÉ DE GARANTIE TACITE, LIMITATION DES RECOURS

LES GARANTIES TACITES, Y COMPRIS DANS LA MESURE APPLICABLE LES GARANTIES DE QUALITÉ MARCHANDE OU D'APTITUDE À UN EMPLOI PARTICULIER, SONT EXCLUES DANS LA MESURE AUTORISÉE PAR LA LOI. TOUTE GARANTIE TACITE IMPOSÉE PAR LA LOI EST LIMITÉE À UN AN, OU LA DURÉE MINIMUM PERMISE PAR LA LOI. PUISQUE CERTAINES JURIDICTIONS NE PERMETTENT PAS L'EXCLUSION OU LA LIMITATION DE DURÉE DES GARANTIES IMPLICITES DE QUALITÉ MARCHANDE OU D'APTITUDE À UN EMPLOI PARTICULIER, LES LIMITATIONS CI-DESSUS PEUVENT DONC NE PAS S'APPLIQUER À VOUS.

SI CET APPAREIL NE FONCTIONNE PAS COMME GARANTI, LE SEUL ET EXCLUSIF RECOURS DU CLIENT EST LA RÉPARATION OU LE REMPLACEMENT SELON LES DISPOSITIONS DE LA GARANTIE LIMITÉE. KITCHENAID ET KITCHENAID-CANADA N'ASSUMENT AUCUNE RESPONSABILITÉ EN CAS DE DOMMAGES ACCESSOIRES OU INDIRECTS. Cette garantie vous confère des droits spécifiques auxquels peuvent s'ajouter d'autres droits variant d'un État ou d'une province à l'autre.

Comment obtenir une réparation sous garantie à Puerto Rico

Le Hachoir est couvert par une garantie limitée d'un an à partir de la date d'achat. KitchenAid prendra en charge les coûts des pièces de rechange et de main-d'oeuvre pour corriger les défauts de matériaux et de main-d'oeuvre. Le service après-vente doit être assuré par un Centre de réparation autorisé KitchenAid. Apportez le Hachoir

ou retournez-le port payé et assuré à un Centre de réparation autorisé de KitchenAid. Le Hachoir réparé vous sera retourné port prépayé et assuré. S'il est impossible d'obtenir des réparations satisfaisantes de cette manière, appelez le numéro sans frais **1-800-541-6390** pour obtenir l'adresse d'un Centre de réparation près de chez vous.

Garantie de satisfaction totale et de remplacement - 50 États des États-Unis, district fédéral de Columbia

Nous sommes tellement certains que la qualité de nos produits satisfait aux normes exigeantes de KitchenAid que, si le Hachoir cesse de fonctionner au cours de la première année, KitchenAid livrera gratuitement un appareil identique ou comparable à votre porte et s'occupera de récupérer le Hachoir original. L'appareil de rechange sera aussi couvert par notre garantie limitée d'un an. Veuillez suivre ces instructions pour recevoir ce service de qualité.

Si le Hachoir cesse de fonctionner durant la première année, il suffit d'appeler le numéro

sans frais **1-800-541-6390** du Centre de satisfaction de la clientèle du lundi au vendredi de 8 h à 20 h (heure de l'Est) ou le samedi de 10 h à 17 h. Fournissez votre adresse de livraison complète au représentant. (Pas de boîte postale). Quand vous recevez le Hachoir de rechange, veuillez utiliser le carton et les matériaux d'emballage pour emballer le Hachoir original.

Écrivez vos nom et adresse sur une feuille de papier et mettez-la dans le carton avec une copie de la preuve d'achat (reçu de caisse, facture de règlement par carte de crédit, etc.)

Garantie de satisfaction totale et de remplacement - Canada

Nous sommes tellement certains que la qualité de nos produits satisfait aux normes exigeantes de KitchenAid que, si le Hachoir cesse de fonctionner au cours de la première année, KitchenAid le remplacera par un appareil identique ou comparable. L'appareil de rechange sera aussi couvert par notre garantie limitée d'un an. Veuillez suivre ces instructions pour recevoir ce service de qualité.

Si le Hachoir cesse de fonctionner au cours de la première année, apportez-le ou retournez-le port dû à un Centre de réparation KitchenAid autorisé. Écrivez vos

nom et adresse complète sur une feuille de papier et mettez-la dans le carton avec une copie de la preuve d'achat (reçu de caisse, facture de règlement par carte de crédit, etc.) Le Hachoir de rechange sera expédié port prépayé et assuré. Si le service ne s'avère pas satisfaisant, appelez le numéro sans frais du Centre de relations avec la clientèle : **1-800-807-6777**.

Ou écrivez à : Centre de relations avec la clientèle KitchenAid Canada
1901 Minnesota Court
Mississauga, ON L5N 3A7

Obtenir un dépannage une fois la garantie expirée ou commander des accessoires et pièces de rechange

Pour les États-Unis et Porto Rico :

Concernant les informations sur le service de dépannage ou pour commander des accessoires ou des pièces de rechange, composer le numéro sans frais **1-800-541-6390** ou écrire à :
Customer Satisfaction Center,
KitchenAid Portable Appliances,
P.O. Box 218, St. Joseph, MI 49085-0218

En dehors des États-Unis et de Porto Rico :

Consulter le revendeur KitchenAid local ou le détaillant auprès duquel le hachoir a été acheté afin d'obtenir la marche à suivre pour un dépannage.

Pour les informations sur le service en Canada :

Composer le numéro sans frais :
1-800-807-6777.

Ou écrire à :
Customer Interaction Centre
KitchenAid Canada
1901 Minnesota Court
Mississauga, ON L5N 3A7

Bienvenido al mundo de KitchenAid.®

Estamos comprometidos a ayudarle a crear deliciosas comidas para su familia y amistades por toda la vida. Para ayudar a asegurar la larga duración y el desempeño de su aparato, mantenga esta guía a la mano. Ésta le proveerá información sobre la mejor manera de usar y cuidar su producto.

Su satisfacción es nuestra meta número 1.

Confiamos tanto en que la calidad de nuestros productos cumple con las exigentes normas de KitchenAid que, si la picadora presentara alguna falla durante el primer año

de compra, KitchenAid se encargará de entregar un reemplazo idéntico o comparable a su domicilio sin cargo y arreglará la devolución de picadora “defectuosa” a nosotros.

Recuerde registrar su producto en línea en www.kitchenaid.com, o bien por correo usando la Tarjeta de registro del producto provista.



USA: 1.800.541.6390

Canada: 1.800.807.6777

KitchenAid.com

KitchenAid.ca

Índice

Seguridad de la picadora.....	26
Salvaguardias importantes	26
Requisitos eléctricos.....	27
Solución de problemas	27
Guía de piezas y características	28
Cómo utilizar su picadora	29
Antes del primer uso.....	29
Cómo desensamblar la picadora.....	29
Cómo usar la picadora	30
Cómo sacar los ingredientes.....	31
Consejos de uso para obtener resultados ideales.....	31
Cuidado y limpieza	32
Garantía	33

Prueba de compra y registro del producto

Guarde siempre una copia del recibo de compra, en el cual se muestra la fecha de compra de su picadora. La prueba de compra le asegurará el servicio bajo la garantía. Antes de usar la picadora, llene y envíe por correo la tarjeta de registro del producto, que fue empacada con la unidad. Esta tarjeta nos permitirá contactarlo en el caso improbable de una notificación acerca de la seguridad del producto y nos asistirá para cumplir con las medidas de Consumer Product Safety Act (Ley de seguridad de productos al consumidor). Esta tarjeta no confirma su garantía. Sírvase completar lo siguiente para su información personal:

Número de modelo _____

Número de serie _____

Fecha de compra _____

Nombre de la tienda _____

Su seguridad y la seguridad de los demás es muy importante.

Hemos incluido muchos mensajes importantes de seguridad en este manual y en su electrodoméstico. Lea y obedezca siempre todos los mensajes de seguridad.



Este es el símbolo de advertencia de seguridad.

Este símbolo le llama la atención sobre peligros potenciales que pueden ocasionar la muerte o una lesión a usted y a los demás.

Todos los mensajes de seguridad irán a continuación del símbolo de advertencia de seguridad y de la palabra "PELIGRO" o "ADVERTENCIA".

Estas palabras significan:

⚠ PELIGRO

Si no sigue las instrucciones de inmediato, usted puede morir o sufrir una lesión grave.

⚠ ADVERTENCIA

Si no sigue las instrucciones, usted puede morir o sufrir una lesión grave.

Todos los mensajes de seguridad le dirán el peligro potencial, le dirán cómo reducir las posibilidades de sufrir una lesión y lo que puede suceder si no se siguen las instrucciones.

SALVAGUARDIAS IMPORTANTES

Al utilizar aparatos eléctricos, debe seguir las precauciones básicas de seguridad, entre las que se incluyen las siguientes:

1. Lea todas las instrucciones.
2. Para protegerse contra el riesgo de choque eléctrico, no coloque el cuerpo del motor, el cable ni el enchufe eléctrico de esta picadora en agua ni en ningún otro líquido.
3. Es necesario supervisar cuidadosamente a los niños cuando usen cualquier aparato o cuando éste se use cerca de ellos.
4. Desenchufe del contacto cuando no esté en uso, antes de colocar o quitar partes y antes de la limpieza.
5. Evite tocar las partes que estén en movimiento.
6. No utilice ningún electrodoméstico con un cable o enchufe dañado, si el electrodoméstico no ha funcionado correctamente, si se ha caído o si está dañado de alguna forma. Devuelva el aparato al lugar de servicio técnico autorizado más cercano para su inspección, reparación o ajuste eléctrico o mecánico.
7. El uso de aditamentos no recomendados o vendidos por el fabricante puede provocar un incendio, choque eléctrico o lesión.
8. No lo use al aire libre.
9. No deje que el cable cuelgue del borde de la mesa o del mostrador.
10. Mantenga las manos y los utensilios lejos de la cuchilla de corte mientras pica los alimentos; esto reducirá el riesgo de lesiones serias a personas o daños a la picadora. Se puede utilizar una espátula solamente cuando la picadora no esté funcionando.
11. La cuchilla es filosa. Manipúlela con cuidado.
12. Para reducir el riesgo de lesiones, nunca coloque la cuchilla de corte en la base sin primero haber colocado el tazón en su lugar adecuadamente.

Seguridad de la picadora

13. Cerciórese de que la cubierta esté asegurada apropiadamente en su lugar antes de operar la picadora.
14. No intente quitar el mecanismo de enclavamiento de la cubierta.
15. Este producto ha sido diseñado únicamente para uso doméstico.

GUARDE ESTAS INSTRUCCIONES

Requisitos eléctricos

Voltios: 120 VCA

Hertzios: 60 Hz

NOTA: Esta picadora tiene un enchufe polarizado (una hoja es más ancha que la otra). Para reducir el riesgo de choque eléctrico, este enchufe encajará en un contacto polarizado solamente de una manera. Si el enchufe no encaja por completo en el contacto, dé vuelta el enchufe. Si aún así no encaja, póngase en contacto con un electricista competente. No modifique el enchufe de ninguna manera.

Se provee un cable corto de suministro de energía para reducir el riesgo de enredarse o de tropezarse si fuera un cable más largo.

Hay cables eléctricos de extensión disponibles y pueden usarse si se hace con cuidado.

Si se utiliza un cable de extensión más largo:

- La clasificación eléctrica indicada en el cable de extensión deberá ser por lo menos la misma que la clasificación eléctrica del aparato.
- Deberá acomodar el cable de manera que no cuelgue sobre el mostrador o la parte superior de la mesa, en donde los niños puedan jalarlo o donde alguien pueda tropezarse con él accidentalmente.

Solución de problemas

Guarde una copia del recibo que muestre la fecha de compra. La prueba de compra le asegurará el servicio bajo la garantía.

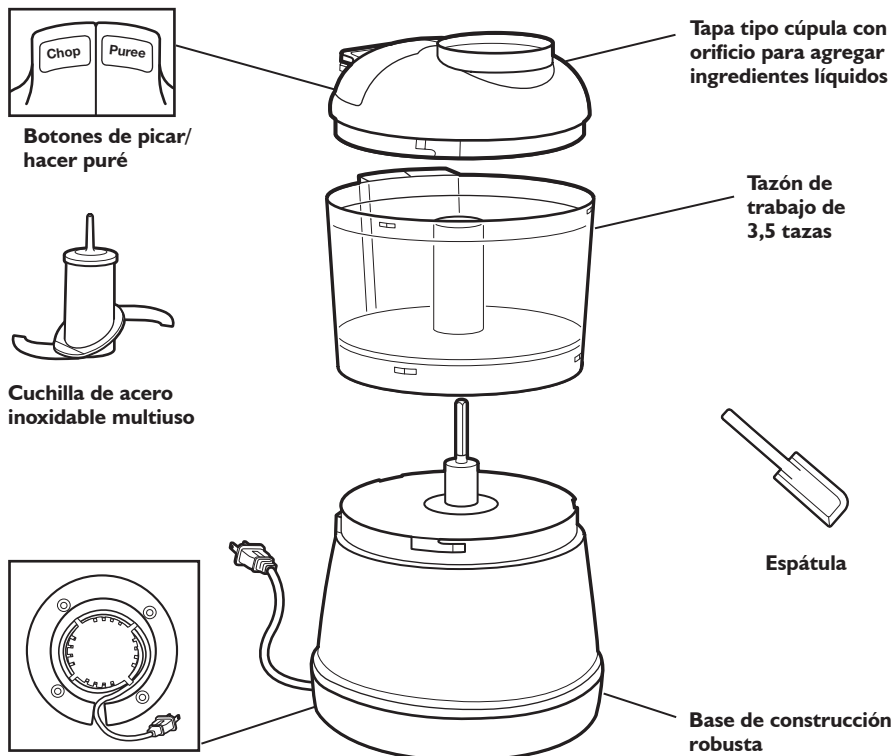
Si su picadora falla o no funciona, revise lo siguiente:

- Cerciórese de que el tazón y la cubierta estén alineados apropiadamente y trabados en su lugar.
- Presione solamente un botón a la vez. La picadora no funcionará si se presionan ambos botones a la vez.
- ¿Está enchufada la picadora?
- ¿Está funcionando adecuadamente el fusible en el circuito que va a la picadora? Si tiene una caja de cortacircuitos, asegúrese de que el circuito esté cerrado.
- Desenchufe la picadora y luego vuelva a enchufarla en el contacto.
- Si la picadora no está a temperatura ambiente, espere hasta que alcance la temperatura ambiente y vuelva a intentar.

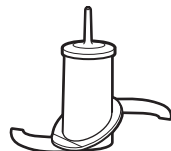
Si el problema no se debe a lo mencionado anteriormente, consulte "Garantía".

No devuelva la picadora al minorista. Los minoristas no proveen servicio.

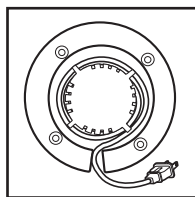
Guía de piezas y características



**Botones de picar/
hacer puré**



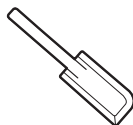
**Cuchilla de acero
inoxidable multiuso**



**Almacenamiento para
el cable eléctrico**

**Tapa tipo cúpula con
orificio para agregar
ingredientes líquidos**

**Tazón de
trabajo de
3,5 tazas**



Espátula

**Base de construcción
robusta**

Botones de picar/hacer puré

La picadora puede utilizarse fácilmente y con una sola mano, gracias a los botones ubicados en la parte superior. Las 2 velocidades proveen resultados óptimos sin importar el trabajo: Use el botón de Chop (Picar) para las necesidades de picado diarias. Use la velocidad más alta de Puree (Hacer puré) para hacer puré los ingredientes rápidamente.

Cuchilla de acero inoxidable multiuso

Esta cuchilla fuerte y muy afilada permite procesar rápidamente cantidades pequeñas de carnes, frutas y vegetales frescos o cocidos, frutos secos y hierbas. La cuchilla se traba en el eje para permanecer en su lugar mientras usted vierte los ingredientes. El diseño en espiral invertido jala los alimentos hacia la cuchilla para picar uniformemente. Además minimiza la necesidad de raspar los lados del tazón. La cuchilla es lavable en la lavavajillas.

Tapa tipo cúpula con orificio para agregar ingredientes líquidos

La tapa en forma de cúpula se traba en su lugar para usar la picadora y se quita fácilmente para agregar ingredientes. Un orificio para agregar ingredientes líquidos y el ducto en la tapa le permiten agregar ingredientes líquidos sin quitar la tapa. La tapa es lavable en la lavavajillas.

Tazón de trabajo de 3,5 tazas

El tazón sin BPA con capacidad para 3,5 tazas provee una capacidad de trabajo generosa y se quita de la base fácilmente. El tazón de trabajo es lavable en la lavavajillas.

Espátula

Use la espátula incluida para quitar rápidamente los alimentos picados de los lados del tazón.

Almacenamiento para el cable eléctrico

El cable eléctrico se puede enrollar debajo de la base para un almacenamiento conveniente.

⚠ ADVERTENCIA

Peligro de Cortaduras

Manipule las cuchillas con cuidado.

No seguir esta instrucción puede ocasionar cortaduras.

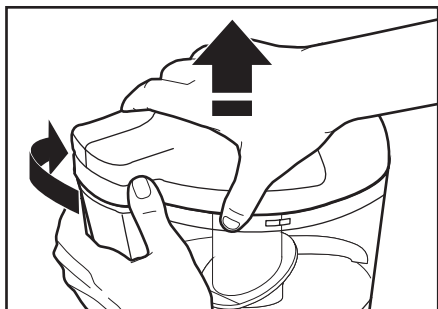
Antes del primer uso

1. Antes de usar la picadora KitchenAid® por primera vez, lave el tazón de trabajo, la tapa y la cuchilla en agua caliente jabonosa. El tazón de trabajo, la tapa y la cuchilla pueden también lavarse en la canasta superior de la lavavajillas.
2. Lea los Consejos de uso de la picadora para obtener recomendaciones acerca de cómo obtener siempre los resultados ideales.

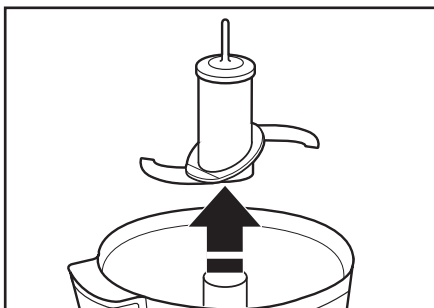
Cómo desensamblar la picadora

Para desensamblar la picadora para limpiarla y cuando saque los ingredientes del tazón, siga las instrucciones a continuación:

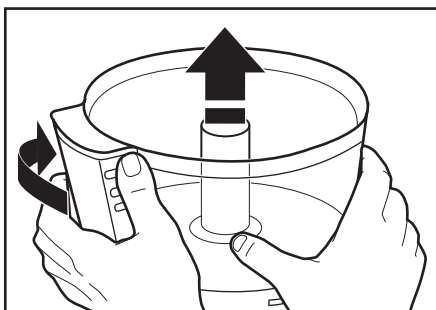
1. Asegúrese de que la picadora esté desconectada.
2. Sosteniendo la tapa como se muestra, gírela hacia la derecha para desbloquearla y levántela del tazón.



3. Jale la cuchilla en forma recta hacia arriba para desbloquearla y sacarla del tazón.



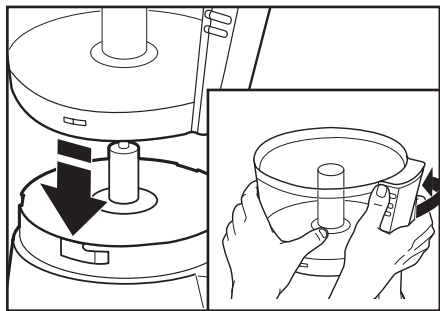
4. Sosteniendo el tazón como se muestra, gírela hacia la derecha para desbloquearlo y levántelo de la base.



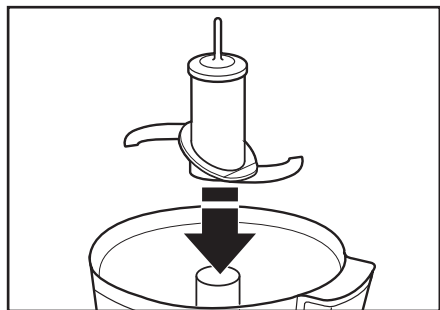
Cómo utilizar su picadora

Cómo usar la picadora

1. Asegúrese de que la picadora esté desconectada.
2. Alinee las lengüetas del tazón de trabajo con las ranuras en L sobre la base. Gire el tazón hacia la izquierda para bloquearlo en su lugar.



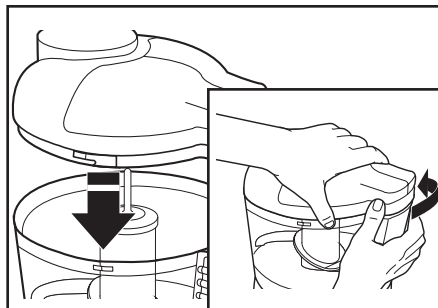
3. Haga encajar la cuchilla sobre el eje en el centro del tazón de trabajo; gírela y presione hacia abajo hasta que se traben en la posición de funcionamiento.



4. Coloque los ingredientes que van a procesarse dentro del tazón de trabajo

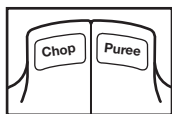
5. Coloque la tapa sobre el tazón de trabajo alineando las ranuras en L sobre la base con las lengüetas sobre el tazón de trabajo. Gire la tapa hacia la izquierda para trazarla en su lugar, como se muestra abajo.

NOTA: El tazón y la tapa deberán estar bloqueados en su lugar para que funcione la picadora.



6. Enchufe el cable de suministro de energía en el contacto eléctrico.

7. Presione y sostenga el botón de Chop (Picar) o Puree (Hacer puré) para comenzar a procesar.



NOTA: La picadora no funcionará si se presionan ambos botones a la vez.

8. Use el orificio para agregar ingredientes líquidos mientras procesa, si lo desea. Vea "Consejos de uso para obtener resultados ideales".
9. Suelte el botón de Chop (Picar) o Puree (Hacer puré) cuando los ingredientes estén picados a la consistencia deseada.

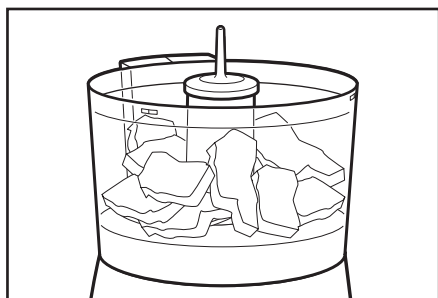
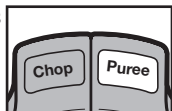
Cómo usar la picadora

Cómo sacar los ingredientes

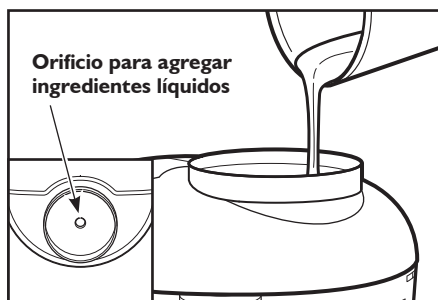
1. Una vez que la cuchilla haya parado de girar, gire la tapa hacia la derecha y levántela para sacarla.
2. Retire el tazón de trabajo de la base girándolo hacia la derecha y levantándolo. La cuchilla se traba en el eje para permanecer en su lugar mientras usted vierte los ingredientes.
3. Use la espátula para sacar los ingredientes del tazón de trabajo.
4. Para sacar la cuchilla para la limpieza, júlela en forma recta hacia arriba para destrabarla y sacarla del tazón.

Consejos de uso para obtener resultados ideales

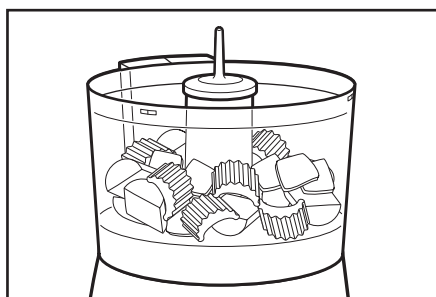
1. Para obtener resultados óptimos cuando muele carne cruda, use el botón de Puree (Hacer puré) para moler hasta $\frac{1}{2}$ libra (227 g) de carne a la vez.



2. Para obtener los mejores resultados al procesar, presione y libere el botón de Chop (Picar) o el de Puree (Hacer puré). Repita hasta que los ingredientes alcancen la consistencia que desee.
3. Use el orificio para agregar ingredientes líquidos durante el procesado.



4. Use la picadora para hacer migas de pan rallado, galletas o galletas dulces. Parta el pan, las galletas o las galletas dulces en trozos pequeños, agréguelos al tazón de trabajo y procéselos hasta que queden hechos migas.
5. Para obtener una consistencia uniforme con los alimentos procesados, corte las zanahorias, el apio, los hongos, los pimientos verdes, las cebollas y vegetales similares en piezas de 1 pulgada (2,5 cm) antes de agregarlos al tazón de trabajo.



6. Use la picadora para picar frutos secos, perejil, albahaca, cebollinos, ajo y otras hierbas.
7. Prepare alimentos para bebé usando la picadora para hacer puré las frutas o los vegetales cocidos. Las frutas y los vegetales cocidos y hechos puré pueden también usarse como bases para sopas o salsas.
8. No utilice su picadora para procesar granos de café o especias duras como las nueces moscadas. Si procesa estos alimentos, la picadora podría dañarse.

Usted puede encontrar recetas y más en www.kitchenaid.com

ADVERTENCIA

Peligro de Cortaduras

Manipule las cuchillas con cuidado.

No seguir esta instrucción puede ocasionar cortaduras.

1. Desenchufe la picadora.
2. Saque el tazón de trabajo, la tapa y la cuchilla. Lave en agua caliente jabonosa. Enjuague y seque. El tazón de trabajo, la tapa y la cuchilla pueden también lavarse en la canasta superior de la lavavajillas.
3. Limpie la base con un paño húmedo. No use productos de limpieza abrasivos. No sumerja la base en agua.
4. Para proteger la cuchilla, siempre vuelva a ensamblar la picadora después de la limpieza.

Garantía de KitchenAid® para la picadora en los 50 estados de los Estados Unidos, el Distrito de Columbia, y Canadá

Esta garantía se extiende al comprador y a cualquier propietario subsiguiente para las picadoras usadas en los 50 estados de los Estados Unidos, el Distrito de Columbia, y Canadá.

Duración de la garantía: Un año de garantía completa a partir de la fecha de compra.

KitchenAid pagará por por lo siguiente, a su elección:



Reemplazo sin dificultades de su picadora. Consulte la página siguiente para obtener detalles acerca de cómo obtener el servicio o llame al Centro para la satisfacción del cliente, sin cargo, al **1-800-541-6390**.

O BIEN

Los costos de las piezas de repuesto y del trabajo de reparación para corregir los defectos en los materiales y la mano de obra. El servicio deberá ser provisto por un centro de servicio autorizado por KitchenAid. Vea la garantía de la picadora KitchenAid® para Puerto Rico para obtener detalles acerca de cómo obtener servicio.

KitchenAid no pagará por:

- A.** Reparaciones cuando su picadora ha sido empleada para fines ajenos al uso doméstico normal de una familia.
- B.** Daños causados por accidente, alteración, uso indebido o abuso.
- C.** Cualquier gasto de envío o manejo para llevar la picadora a un centro de servicio autorizado.
- D.** Piezas de repuesto o costos de mano de obra para picadoras operadas fuera de los 50 estados de Estados Unidos, el Distrito de Columbia, y Canadá.

LA EXENCIÓN DE RESPONSABILIDAD DE LAS GARANTÍAS IMPLÍCITAS; LIMITACIÓN DE LOS RECURSOS DE LAS GARANTÍAS IMPLÍCITAS, INCLUYENDO GARANTÍAS EN LA MEDIDA EN QUE SE APLIQUEN A LA COMERCIABILIDAD O APTITUD CON UN FIN DETERMINADO, SON EXCLUIDAS EN LA MEDIDA PERMISIBLE POR LEY. CUALQUIER GARANTÍA IMPLÍCITA QUE PUEDA SER IMPUESTA POR LEY ESTÁ LIMITADA A UN AÑO O AL PERÍODO MÁS CORTO PERMITIDO POR LEY. ALGUNOS ESTADOS Y PROVINCIAS NO PERMITEN LIMITACIONES NI EXCLUSIONES EN RELACIÓN CON LA DURACIÓN DE UNA GARANTÍA IMPLÍCITA DE COMERCIABILIDAD O DE APTITUD, DE MANERA TAL QUE LAS LIMITACIONES O EXCLUSIONES ANTERIORES PUEDE QUE NO SE APLIQUEN EN SU CASO.

SI ESTE PRODUCTO NO FUNCIONA SEGÚN SE GARANTIZA, EL ÚNICO Y EXCLUSIVO RECURSO DEL CLIENTE SERÁ LA REPARACIÓN O EL REEMPLAZO SEGÚN LOS TÉRMINOS Y LAS CONDICIONES DE ESTA GARANTÍA LIMITADA. KITCHENAID Y KITCHENAID CANADÁ NO ASUMEN NINGUNA RESPONSABILIDAD POR DAÑOS INCIDENTALES O CONSIGUIENTES. Esta garantía le otorga derechos legales específicos y es posible que usted goce de otros derechos que varían de estado en estado o de provincia en provincia.

Garantía de la picadora KitchenAid® para Puerto Rico

La garantía limitada de un año se extiende al comprador y cualquier dueño subsiguiente para las picadoras operadas en Puerto Rico. Durante el período de la garantía, todo servicio deberá ser llevado a cabo por un centro de servicio autorizado por KitchenAid. Sírvase traer la picadora o envíela pagada por adelantado y asegurada

al centro de servicio autorizado más cercano. Llame sin costo al **1-800-541-6390** para averiguar la ubicación del centro de servicio técnico más cercano. Su picadora reparada será retornada a usted pagada por adelantado y asegurada

Garantía de reemplazo sin dificultades en los 50 estados de los Estados Unidos y en el Distrito de Columbia

Confiamos tanto en que la calidad de nuestros productos cumple con las exigentes normas de KitchenAid, que si la picadora presentara alguna falla durante el primer año, le enviaremos un reemplazo sin cargo idéntico o comparable a su domicilio y arreglaremos la devolución de la picadora original. El reemplazo de su unidad también estará cubierto por nuestra garantía limitada de un año. Siga estas instrucciones para recibir este servicio de calidad.

Si su picadora presentara alguna falla durante el primer año, simplemente llame gratis

a nuestro Centro de satisfacción al cliente KitchenAid al **1-800-541-6390**, de lunes a viernes de 8 a.m. a 8 p.m. (Hora del Este), o los sábados, de 10 a.m. a 5 p.m. Proporcione al asesor su dirección completa para el envío. (No se aceptan números de casillas postales).

Cuando reciba la unidad de reemplazo de su picadora, utilice la caja y los materiales de embalaje para embalar la picadora original. En la caja, escriba su nombre y dirección en un papel junto con la copia del comprobante de compra (recibo de compra, ticket de la tarjeta de crédito, etc.)

Garantía de reemplazo sin dificultades en Canadá

Confiamos tanto en que la calidad de nuestros productos cumple con las exigentes normas de KitchenAid que, si su picadora presentara alguna falla durante el primer año, KitchenAid Canadá la reemplazará por una idéntica o comparable. El reemplazo de su unidad también estará cubierto por nuestra garantía limitada de un año. Siga estas instrucciones para recibir este servicio de calidad.

Si su picadora presentara alguna falla durante el primer año, lleve la picadora o mándela con envío a cobrar a un Centro de servicio técnico KitchenAid autorizado. En la caja, escriba su nombre y dirección en un

papel junto con la copia del comprobante de compra (recibo de compra, ticket de la tarjeta de crédito, etc.) La picadora de reemplazo se le entregará de forma prepaga y asegurada.

Si no queda satisfecho con el servicio, llame de manera gratuita a nuestro Centro de interacción con el cliente al **1-800-807-6777**. O escríbanos a: Customer Interaction Centre KitchenAid Canada 1901 Minnesota Court Mississauga, ON L5N 3A7

Cómo obtener servicio técnico después de que expire la garantía o cómo pedir accesorios y piezas de repuesto

En los Estados Unidos y Puerto Rico:

Para obtener información acerca del servicio técnico o para pedir accesorios o piezas de repuesto, llame sin costo al

1-800-541-6390 o escriba a:

Customer Satisfaction Center,
KitchenAid Portable Appliances,
P.O. Box 218, St. Joseph, MI 49085-0218.

Fuera de los Estados Unidos y Puerto Rico:

Consulte a su distribuidor local de KitchenAid o a la tienda donde compró la picadora para obtener información sobre el servicio técnico.

En Canadá :

Para obtener información sobre el servicio técnico en Canadá, llame de manera gratuita al

1-800-807-6777.

O escriba a:

Customer Interaction Centre
KitchenAid Canada
1901 Minnesota Court
Mississauga, ON L5N 3A7

- ® Registered trademark/™ Trademark/The shape of the mixer
is a registered trademark of KitchenAid, U.S.A.
- ® Marque déposée/™ Marque déposée/La forme du batteur
est une marque déposée de KitchenAid, Etats-Unis
- ® Marca registrada/™ Marca de comercio/la forma de la batidora
es una marca de comercio de KitchenAid, U.S.A.



W10407579A

© 2011

All rights reserved.

Tous droits réservés.

Todos los derechos reservados.

FOR THE WAY IT'S MADE.®