



Item: GI-BH/BA 2500

Quantity: \_\_\_\_\_

Project: \_\_\_\_\_

Approval: \_\_\_\_\_

Date: \_\_\_\_\_

Induction Green Heat  
Garland Induction Baby Hob 2.5kW

# Induction Green Heat

## Garland Induction Baby Hob 2.5kW

Models:

GI-BH/BA 2500



### Induction Benefits:

- Energy Efficient
- Fast Heat
- Precise Cooking
- Easy To Clean
- No Pan, No Heat.
- Cool Operations
- Boil Dry Protection

### Standard Features:

- Compact table top design with stainless steel body and high impact ceramic glass top
- Sloped, easy to see front panel with adjustable control for easy operation
- Dial control knob with 9 power level settings.
- Integral cooling fan keeps electronics cool, discharging from rear with protective air deflectors preventing hot exhaust to be pulled back into unit
- Removable, reusable easy to clean air intake filter
- 6' (1829mm) cord and plug supplied (60 cycle units only)
- "Flat Design", compact high performance electronics allow for low unit heights
- Instant energy transmission to the pan
- Thermostatically controlled overheat sensor shuts the unit off to prevent damage from pans cooking dry
- Induction technology transfers heat to the pan, not to the surrounding air, allowing for cool operation
- Innovated new technology for pan detection; RTCS is an internal control software development matching speed, capability and performance
  - R – Real Time
  - T – Temperature
  - C – Control
  - S – System
- Electronic output limitation continually monitors the energy transfer to the pan, helping to ensure the most efficient energy transfer possible

### Specifications:

Shall be a Garland Induction Unit GI-BH/BA 2500 with a total kW rating of 2.5 kW. Built with a robust stainless steel casting with ceran ceramic glass work top. Compact powerful electronic system for years of reliable service. Overheat sensors to help prevent damage to unit if pan is run dry. Easy to operate system with rotary switch. Unit to come in 208V or 240V power (specify at the time of order) with integral cord and plug for North America.

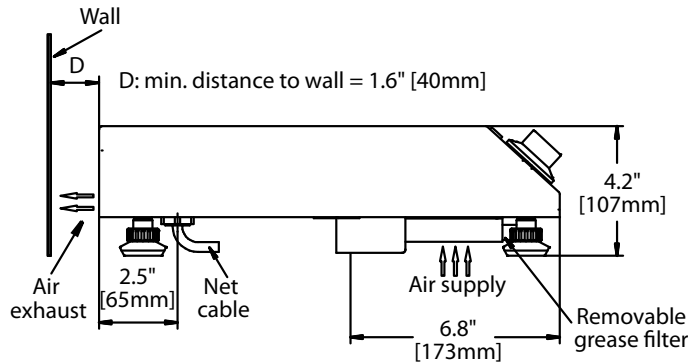
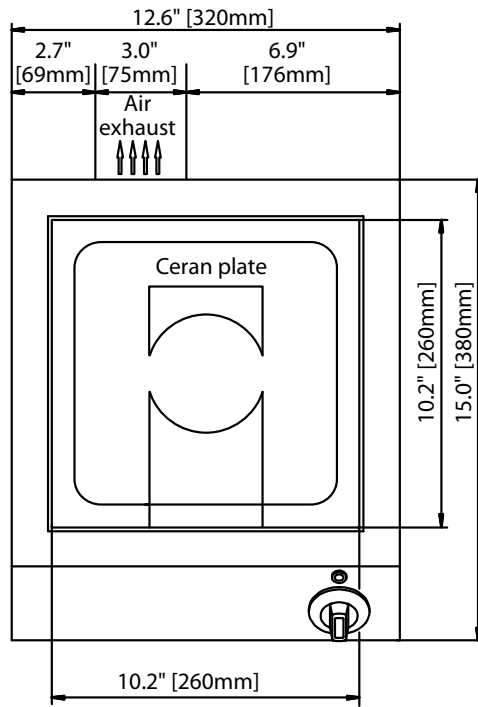
Note: Induction cooking requires "Induction Ready" pans to operate.



CE models comply with the latest European Norms: EN 60335-1, EN 60335-2-36, EN 62233 (EMC/EMV)

North American models:  
ETL listed in compliance with  
UL 197, CSA C22.2 No.109, NSF-4  
Complies with FCC part 18, ICES-001





| Plug Configurations |                              |                |
|---------------------|------------------------------|----------------|
| Model               | Electrical Characteristics   | Plug           |
| GI-BH/BA 2500       | 208V/60Hz/1Ø<br>240V/60Hz/1Ø | <br>NEMA 6-15P |
|                     | 230V/50Hz/1Ø                 | <br>EU1-16P    |

| Electrical Loading |       |          |          |          |
|--------------------|-------|----------|----------|----------|
| Model              | Watts | 208/60/1 | 240/60/1 | 230/50/1 |
| GI-BH/BA 2500      | 2500  | 13 amp   | 11 amp   | 12 amp   |

Garland/U.S. Range products are not approved or authorized for home or residential use, but are intended for commercial applications only. Garland / U.S. Range will not provide service, warranty, maintenance or support of any kind other than in commercial applications.

Form# GI-BH/BA 2500 (12/19/13)