



Teppan Yaki Electric Griddle

Item: _____
 Quantity: _____
 Project: _____
 Approval: _____
 Date: _____

Teppan Yaki Electric Griddle

Models:

- E22-36-36GMX E22-36-48GMX E22-36-60GMX
 E22-36-45GMX E22-36-56GMX E22-36-72GMX



*E22-36-48GMX Top View
Shown with optional flange edge*



Standard Features:

- Stainless steel front and sides
- 11" (279mm) x 34" (834mm) heated cooking zone
- 3/4" (19mm) thick griddle plate.
- Six sizes available
- 208 or 240 Volts single or 3 phase, specify which is required
- Electronic thermostat up to 500°F (260°C)
- 4" (102mm) stainless steel sanitary legs

Optional Features:

- Stainless steel main back
 1" (25mm) flange edge for easier drop in installation.

Specification:

Garland's E22-36X Series Teppan Yaki Electric Griddles come in 6 models. All units have 11" (279mm) x 34" (864mm) heated cooking zone, stainless steel front panels and sides. 208 or 240 Volts single or three phase, electronic thermostat. Standard with a flat straight griddle plate edge or optional 1" (25mm) flange.



*E22-36-48GMX Front View
Shown with optional flange edge*

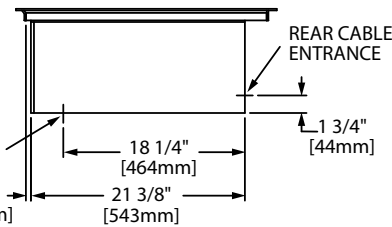
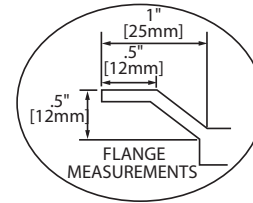
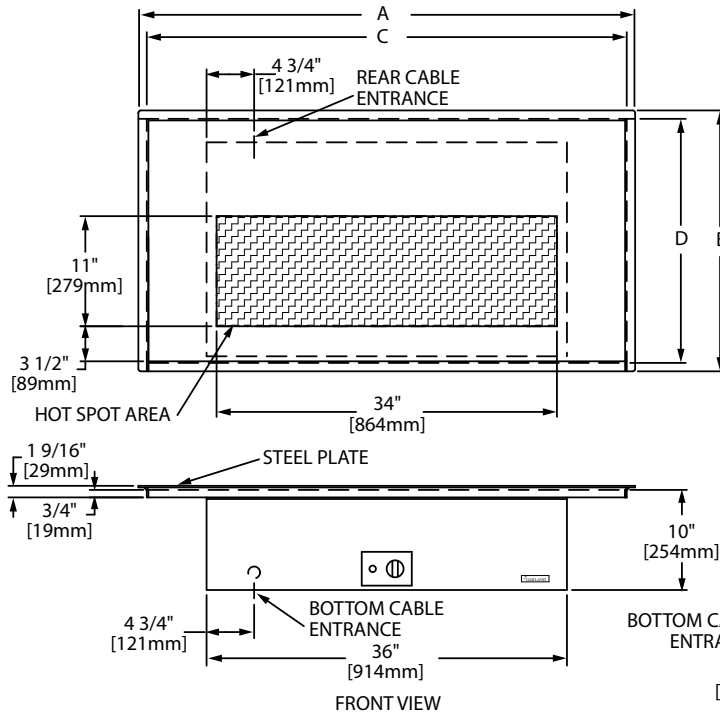
| Total kW Loading | | kW Loading Per Phase | | | | | | Nominal Amps Per Phase | | | | | | | |
|------------------|------|----------------------|-----|------|------|-----|------|------------------------|-------|-------------|-------|-------|-------|-------|-------|
| | | | | | | | | Single Phase | | Three Phase | | | | | |
| 240V | 208V | 240V | | | 208V | | | 240V | 208V | 240V | | | 208V | | |
| | | X-Y | Y-Z | X-Z | X-Y | Y-Z | X-Z | | | X | Y | Z | X | Y | Z |
| 6.7 | 6.7 | 3.35 | --- | 3.35 | 3.35 | --- | 3.35 | 27.92 | 32.21 | 24.22 | 13.96 | 13.96 | 27.95 | 16.11 | 16.11 |



| Model | Griddle Size With Flange | | Griddle Size Less Flange | | Shipping Wt lb/kg |
|--------------|--------------------------|------------------|--------------------------|-------------------|-------------------|
| | Width (A) | Depth (B) | Width (C) | Depth (D) | |
| E22-36-36GMX | 37-5/8" (957mm) | 26-9/16" (675mm) | 35-13/16" (910mm) | 24-1/4" (616mm) | 330/150 |
| E22-36-45GMX | 46-15/16" (1192mm) | 28-1/4" (718mm) | 45-1/8" (1146mm) | 26-15/16" (685mm) | 340/154 |
| E22-36-48GMX | 49-5/8" (1260mm) | 26-9/16" (675mm) | 47-13/16" (1215mm) | 24-1/4" (616mm) | 350/159 |
| E22-36-56GMX | 58-3/16" (1478mm) | 28-1/4" (718mm) | 56-3/8" (1432mm) | 26-15/16" (685mm) | 385/175 |
| E22-36-60GMX | 61-5/8" (1565mm) | 26-9/16" (675mm) | 59-13/16" (1520mm) | 24-1/4" (616mm) | 385/175 |
| E22-36-72GMX | 73-5/8" (1870mm) | 26-9/16" (675mm) | 71-13/16" (1824mm) | 24-1/4" (616mm) | 400/182 |

| Body Side Minimum Installation Clearances: In(mm) | | |
|---|-------------|-------------------------|
| Left & Right Sides | Rear | Type of Floor Base |
| 1/2" (12.5) | 1/2" (12.5) | 0" (0) from Combustible |

The E22-36-36GMX is for installation in non-combustible locations only. All others should be installed with the above minimum clearances from combustible material.



| SUGGESTED MOUNTINGS (Not to Scale) | | |
|---|---|---|
| <p>METAL EXPANSION STRIP BY OTHERS GRILL BY GARLAND 1" [25mm] 3" [76mm]</p> <p>MARBLE / SIMILAR NON-COMBUSTIBLE MATERIAL MUST BE 3" [76mm] SIDES & BACK TABLE TOP MOUNTING WITH NON-FLANGE EDGE 36" WIDE MODEL (E22-36-36GMX)</p> | <p>METAL EXPANSION STRIP BY OTHERS GRILL BY GARLAND 1" [25mm]</p> <p>WOODEN TABLE BY OTHERS</p> <p>TABLE TOP MOUNTING NON-FLANGED EDGE 45" TO 72" MODELS MINIMUM CLEARANCE TO COMBUSTIBLE CONSTRUCTION 1" [25mm] SIDES AND BACK</p> | <p>EXPANSION STRIP SUPPLIED BY OTHERS NON-COMBUSTIBLE i.e. MARBLE OR SIMILAR</p> <p>GRILL WITH FLANGE TABLE TOP WOOD ect. TABLE TOP MOUNTING WITH FLANGED EDGE OPTION</p> |

Garland products are not approved or Authorized for home or residential use, but are intended for commercial applications only. Garland will not provide service, warranty, maintenance or support of any kind other than in commercial applications.

Form# E22-36GMX Series (05/31/13)