



X Series 60" Gas Restaurant Range

Item: _____
 Quantity: _____
 Project: _____
 Approval: _____
 Date: _____

X Series 60" Gas Restaurant Range

Models:

- X60-10RR X60-10RS X60-6G24RS X60-6G24RR



Model X60-10RR

NOTE: Ranges supplied with casters must be installed with an approved restraining device.

Standard Features:

- Large 27" (686mm) work top surface
- Stainless steel front and sides
- Stainless steel 4" (102mm) plate rail
- Stainless steel backguard w/ removable stainless steel shelf
- 12" (305mm) section stamped drip trays w/ dimpled bottom
- Durable easy to read control knobs
- Easy to clean 6" (152mm) steel core, injection molded legs
- Pressure regulator, 1" NPT

Standard on Applicable Models:

- Cabinet base in lieu of one oven, models X-60-10RS & X60-6G24RS
- Ergonomic split cast iron top ring grates
- 30,000 Btuh/ 8.79 kW 2 piece cast iron "Q" style donut open burner
- 5/8" (15mm) thick steel griddle plate w/manual hi/lo valve control
- 4-1/4" (108mm) wide grease trough
- 18,000 Btuh/5.27 kW cast iron "H" style griddle burner per

12"(305mm) width of griddle

- Griddle plates only available on right side of range
- Straight steel tube oven burner 33,000 Btuh/9.67 kW
- Standard size Sunfire oven w/ ribbed porcelain oven bottom and door interior, aluminized top, sides and back; RR models 2 ovens, RS models one oven
- Oven thermostat w/ Low to 500° F (260° C)
- Nickel plated oven rack with two fixed position oven rack guides
- Heavy duty oven door w/keep-cool handle

Optional Features:

- Low profile 9-3/8" (238mm) backguard stainless steel front and sides
- Additional oven racks
- 6" (152mm) swivel casters (4), w/ front locking
- Celsius temperature dials

Specifications:

Gas restaurant series range with 2 standard size Sunfire ovens. 59-1/16" (1500mm) wide with a 27" (686mm) deep work top surface. Stainless steel front, sides and 4"(102mm) wide front rail. 6" (152mm) legs with adjustable feet. Ten robust 2 piece 30,000 Btuh/8.797 kW (Natural gas), cast open burners set in split cast iron ergonomic grates. Griddle on applicable models with cast iron "H" style burners, 18,000 Btuh/5.27 kW (natural gas), in lieu of open burners. Porcelain oven bottom and door liner. Two position fixed rack guide w/one oven rack. Heavy duty oven door with "keep cool" door handle. Straight steel tube oven burner 33,000 Btuh/9.67 kW (natural gas) provides quality bake and good recovery. Oven thermostat ranges from Low to 500° F (260° C). Available with storage base in lieu of oven on 24 inch griddle model.

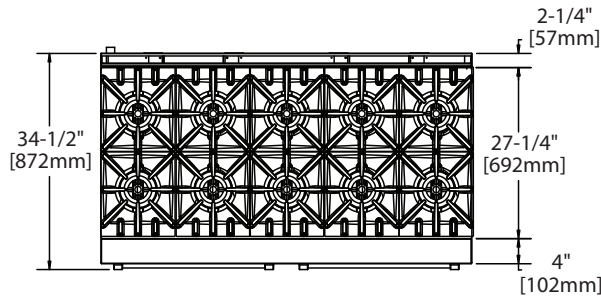


| Model Number | Description | Total BTU/Hr Natural | Shipping Information | | |
|--------------|---|----------------------|----------------------|-----|------|
| | | | Lbs. | Kg | CuFt |
| X60-10RR | Ten Open Top Burners w/Two Standard Ovens | 366,000 | 726 | 329 | 79 |
| X60-10RS | Ten Open Top Burners w/One Standard Oven , One Storage | 333,000 | 690 | 312 | 79 |
| X60-6G24RR | 24" Griddle, 6 Open Top Burners w/ Two Standard Ovens | 282,000 | 791 | 359 | 79 |
| X60-6G24RS | 24" Griddle, 6 Open Top Burners w/ One Standard Oven, One Storage | 249,000 | 755 | 342 | 79 |

| Width In (mm) | Depth In (mm) | Height w/shelf In (mm) | Oven Interior-in (mm) | | | Combustible Wall Clearance-In (mm) | | Entry Clearances In (mm) | | Manifold Operating Pressure | |
|----------------|---------------|------------------------|-----------------------|----------|--------------|------------------------------------|---------|--------------------------|--------------|-----------------------------|----------------|
| | | | Height | Depth | Width | Sides | Rear | Crated | Uncrated | Natural | Propane |
| 59-1/16 (1500) | 33-1/2 (851) | 57 (1448) | 13 (330) | 22 (559) | 26-1/4 (667) | 14 (356) | 6 (152) | 37 (940) | 36-1/2 (927) | 4.5" WC 11 mbar | 10" 25 mbar |

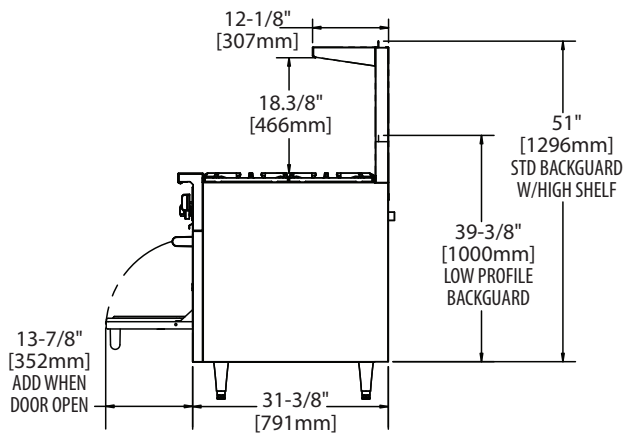
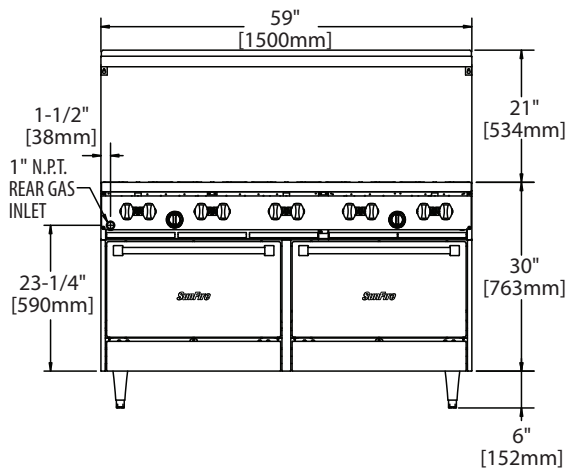
Gas input ratings shown for installations up to 2000 ft.,(610m) above sea level. Please specify altitudes over 2000 ft.

| Burner Ratings (BTU/Hr/kW) | | | |
|----------------------------|-------------|-------------|---------------|
| Gas Type | Open Top | Griddle | Standard Oven |
| Natural | 30,000/8.79 | 18,000/5.27 | 33,000/9.67 |
| Propane | 26,000/6.1 | 18,000/5.27 | 29,000/8.50 |



Note: Installation clearance reductions are applicable only where local codes permit.

This product is not approved for residential use.



Form# X60 Series (04/26/12)