

RESTAURANT SERIES HEAVY-DUTY FRYER



BPF-3540

Standard Features

- Fryer vessel tank: All stainless steel high quality construction, 16 gauge # 304 material.
- Durable double layer access door.
- Exterior is all stainless steel front, sides, door and basket hanger/flue riser.
- Fryer baskets are twin chrome plated with cool grip plastic coated handles.
- Thermostatic controls adjusts from 200 to 400 F.
- Millivolt control system: No electrical hook up required.
- Combination Gas Valve includes pressure regulator and pilot ignition system, hermetically sealed for operating stability. 3/4" NPT gas inlet in rear.
- Safety Shut Off System which shuts off 100% gas when temperature reaches the hi-limit.
- Large removable crumb screen made of tight mesh chrome plated under fry baskets.
- Drain Valve: 1 1/4" diameter for easy draining of oil.
- Legs are 6" high chrome plated adjustable legs.

Design Features

- Bakers Pride Restaurant Series Fryers are capable of high capacity and high production cooking.
- High performance burners allows instant recovery at extreme peak periods of production.
- Front sloping vessel bottom traps food particles and prevents carbonization in the fry zone.
- Reduces flavor transfer and extends oil life.
- Deeper vessel allows for extra depth oil level for frying larger products.
- Vessel designed edges and seams are precision welded for strength, durability and no-leak joints.
- Tube-fired heating designed so oil rapidly heats to the set temperature due to the extra heat transfer around the tubes.
- Superior to the open pot design on other fryers.
- Baffle/Diffuser designed for removable diffuser spreads heat to the tub walls for better and more efficient heat transfer.

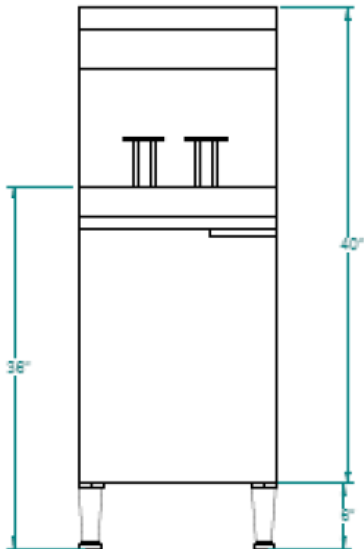
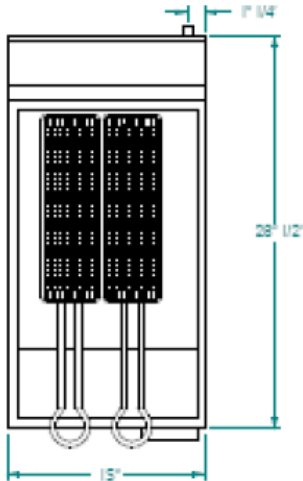
Options & Accessories

- Gas Conversion kits
- Casters – Set of 4 front two locking
- Quick Disconnect and Flexible Gas Hose
- Stainless steel tank cover.
- Joiner Strip: to connect two fryers and prevent oil seepage between the fryers or drain station.
- Full and Twin size baskets.
- Stainless steel oil drain pan.
- Stainless steel spreader/Work Top 12", 18", 24" wide
- 3/4" NPT x 48" Length
- 3/4" NPT x 60" Length
- Side drain board
- 12" x 12" pan for dump station

Certifications



RESTAURANT SERIES HEAVY-DUTY FRYER



PRODUCT SPECIFICATIONS

Construction:

Heavy duty stainless steel body. Twin Fry baskets are chrome plated. 6" adjustable chrome legs.

Gas Information:

Natural or LP.

Must specify type of gas and elevation if over 2000 ft. when ordering.

Oil Capacity:

BPF-3540:	35-40 lbs, 76,000 BTU
BPF-4050:	40-50 lbs, 114,000 BTU
BPF-6575:	65-75 lbs, 152,000 BTU

Overall Dimensions:

BPF-3540:	15 1/2"W x 45 3/4" H x 31" D
BPF-4050:	15 1/2"W x 45 3/4" H x 30 1/2" D
BPF-6575:	22 1/2"W x 45 3/4" H x 34 1/4" D

Shipping:

BPF-3540:	175 lbs
BPF-4050:	225 lbs
BPF-6575:	305 lbs

Freight Class: 85

FOB: Standex Dock

