



HEARTHBAKE SERIES COUNTERTOP ELECTRIC OVENS

SERIES: PX



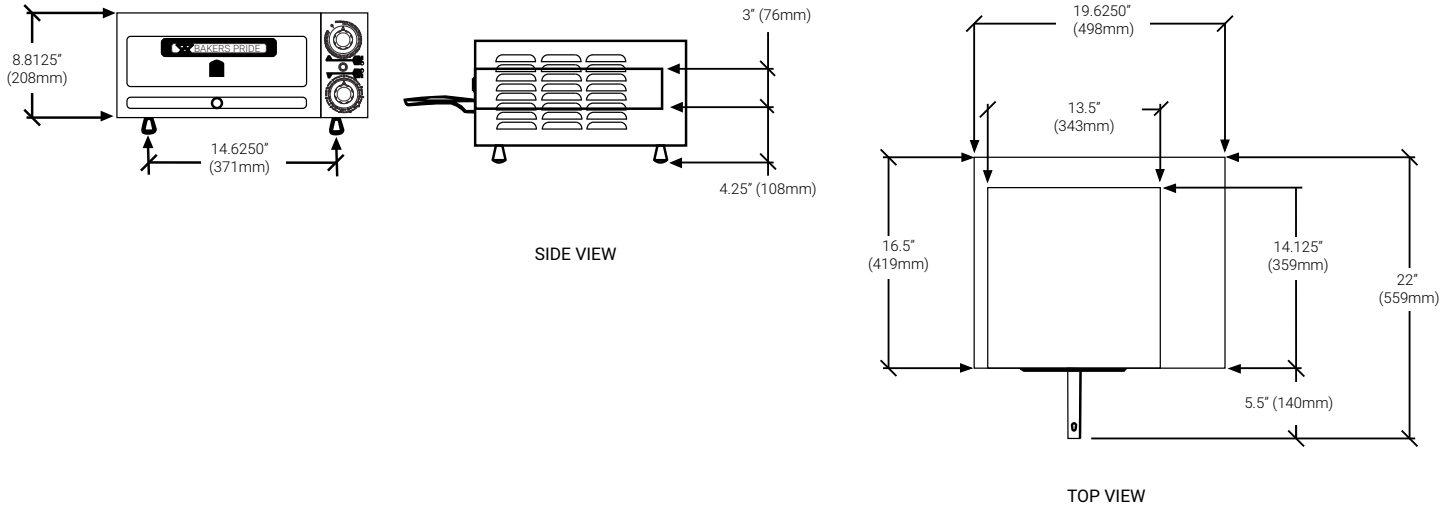
The Bakers Pride® PX series oven is designed for warming and finishing a variety of precooked items, such as hot wings and pizza and pretzels with prebaked crust. Models are available in two different widths and offer a 3" deck height. Other features include independent top and bottom heat control, a slide-out wire baking rack, and a 15-minute, electric timer with continuous-ring alarm and manual shut-off. All models come with stainless steel exteriors and 1" black legs. International voltages are available.

FEATURES AT A GLANCE

- 1500 or 1800 watts
- 19.62" or 24" widths
- 284–680°F (140–360°C) temperature range
- 15-minute electric timer with continuous-ring alarm and manual shut-off
- Independent top and bottom controlled incoloy heating elements
- 3" (76 mm) deck height
- One wire rack with handle
- Pull-out steel crumb tray
- All stainless steel exterior
- 1" (25 mm) black phenolic legs
- One high-heat, fully welded, aluminized steel baking chamber
- Fully insulated
- 6' (1829 mm) cord and plug
- 1" (25 mm) black phenolic legs
- One-year limited warranty

OPTIONS & ACCESSORIES

EQUIPMENT DIMENSIONS



MECHANICAL SPECIFICATIONS

Model #	Overall Dim (W x H x D)*	Deck Height	Rack Size (W x D)	Decks	Baking Chambers	Thermostat Range	Carton Dim (W x H x D)	Cubic Feet	Cubic Meter	Ship Wt.
PX-14	19.62" x 8.18" x 16.5" (498 x 208 x 419)	3" (76kg)	13.25" x 13.87" (337 x 352)	1	1	284°-680°F (140-36°C)	24" x 12" x 22" (610 x 305 x 559)	3.7	.11	49 (22kg)
PX-16	24" x 8.18" x 20.5" (610 x 208 x 521)	3" (76kg)	17.62" x 17.87" (448 x 454)	1	1	284°-680°F (140-360°C)	30" x 12" x 26" (762 x 305 x 660)	5.4	.16	69 (31kg)

*Height excludes legs, depth excludes handle

POWER SUPPLY

Model #	Watts	Voltage	Phase	Amps	Plug Style		
					USA	UK	Europe
PX-14	1500	120	1	12.5	5-15P	N/A	N/A
	1500	208/240	1	7.2	6-15P	BS1363A	CEE7-VII
PX-16	1800	120	1	15.0	5-20P	N/A	N/A
	1800	208/240	1	8.7	6-15P	BS1363A	CEE7-VII

REQUIRED CLEARANCES

Left 3" (76 mm)
 Right 3" (76 mm)
 Back 3" (76 mm)

In European Community Countries and North America. In NON-COMBUSTABLE locations only.

In European Community Countries only in COMBUSTIBLE locations. NOT for North America.



Bakers Pride Oven Company, LLC is a wholly owned subsidiary of Standex International Corporation.

Bakers Pride reserves the right to modify specifications or discontinue models without incurring obligation. Dimensions nominal.



Freight Class: 100
 FOB: Allen, 75013