



VANTAGE SERIES GAS DECK OVEN

Specifications

Bakers Pride Vantage Series gas Deck Ovens are designed for high volume pizza and all-purpose operations.

Ovens may be stacked two high. Oven exteriors are all heavy-gauge. Aluminized sides are fully insulated up to 5" (127mm) thick for cooler outer temperatures and consistent interior temperatures.

Oven interiors are manufactured of high-heat resistant 16-gauge aluminized steel. Doors are fully insulated, spring balanced with tubular steel handles and will remain open or closed until moved.

Vantage Series features a 300°-650°F (149°-343°C) throttling snap action thermostat, 8" (203mm) interior deck height with 2" (51mm) fiberment hearth decks and are supported by a 1/4" (6mm) angle iron frame.

Manual gas valve, pilot safety and pressure regulator. A 3/4" (19mm) NPT gas connection is located on left rear of oven.

Heavy gauge stand is standard and finished with durable Bakertone.

1 Year limited parts and labor warranty standard.

Standard Features

- 120,000 BTUH per deck, natural or LP gas
- 300°-650°F (149°-343°C) throttling thermostat
- Combination gas controls with valve, regulator & pilot safety
- 8" (203mm) interior deck heights with 2" (51mm) fiberment hearth decks
- Stainless steel front
- Aluminized steel interiors
- Spring balanced, fully insulated door
- Rear gas connection
- Fully insulated throughout

Gas Deck Ovens

- Model V600 – Single
- Model V602 – Double
- Model V800 – Single
- Model V802 – Double

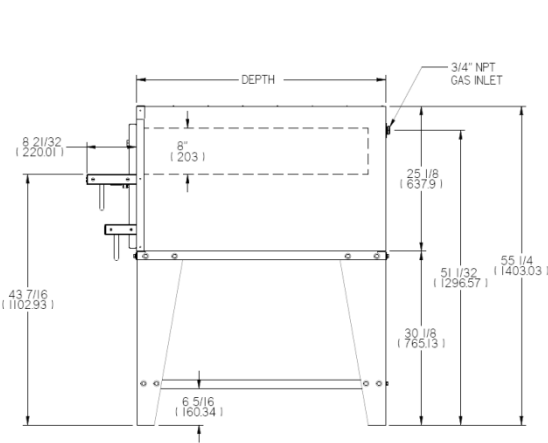


Options & Accessories

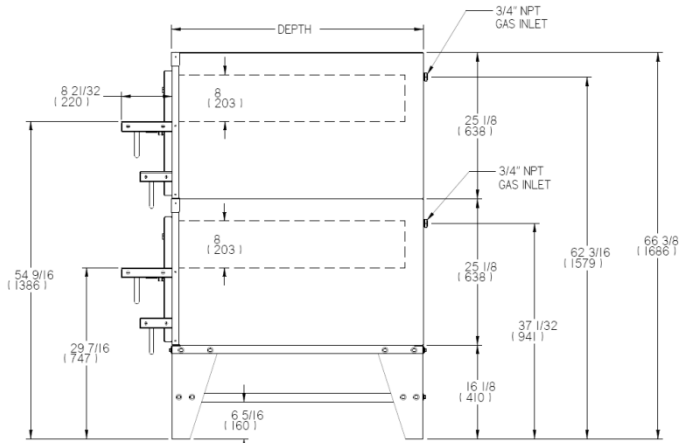
- Stand with casters
- Brick lined interior
- Draft flue for direct vent (not available on CE units)

Certifications

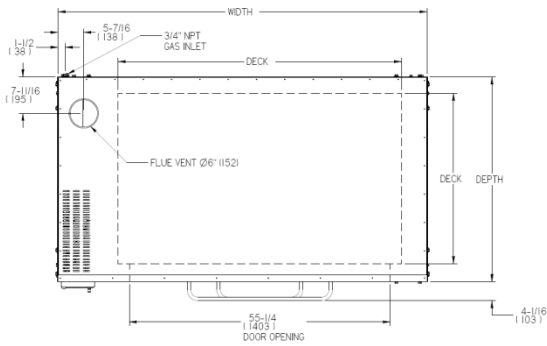
VANTAGE SERIES GAS DECK OVEN



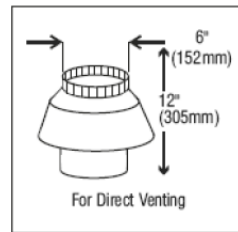
SIDE VIEW - SINGLE



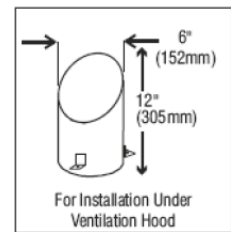
SIDE VIEW - DOUBLE



TOP VIEW



MUST BE SPECIFIED AT TIME OF ORDER



STANDARD

ALL DIMENSIONS NOMINAL

SHIPPING INFORMATION

Model	Shipping Weight		Carton Dimensions						Crate Size	
	Lbs	Kilos	Width		Depth		Height		Cubic Feet	Cubic Meter
			Inches	mm	Inches	mm	Inches	mm		
V600			31	787	53	1364	82	2083	76	2.4
V800			31	787	60	1365	86	2184	78	2.8

Each oven ships separately
HearthDecks and legs ship in separate cartons.

GAS SUPPLY

Model	BTUH	KW	Connection
V600	120,000	35.15	3/4"
V602	240,000	70.30	3/4"
V800	120,000	35.15	3/4"
V802	240,000	70.30	3/4"

SPECIFICATIONS

Model	Deck Sizes		# Decks	Width		Depth		Height	
	Inches	mm		Inches	mm	Inches	mm	Inches	mm
V602	35x60	914x1524	2	78-1/8	1984	43-3/16	1097	66-3/8	1676
V800	44x66	1118x1676	1	84-1/8	1237	51-3/16	1300	55-1/4	1403
V802	44x66	1118x1676	2	84-1/8	1237	51-3/16	1300	66-3/8	1676

MINIMUM CLEARANCES

	Noncombustible Construction		Combustible Construction	
	Inches	mm	Inches	mm
Left	0	0	3	76
Rear	2	51	3	76