

# Model 215R



## Key Features

- **Double Cylinder**  
Serves Two Flavors
- **Capacity**  
(2) 7 Quart Cylinders - (2) 12 Quart Hoppers
- **High Production**  
Up to 155 10 ounce drinks per hour per side
- **Lighted Flavor Sign**  
Draws attention to product
- **Stand-by-switch**  
Refrigerates mix overnight
- **Remote Refrigeration**  
Keeps noise and heat away from serving area

*Frosty  
Factory*

[www.frostyfactory.com](http://www.frostyfactory.com)

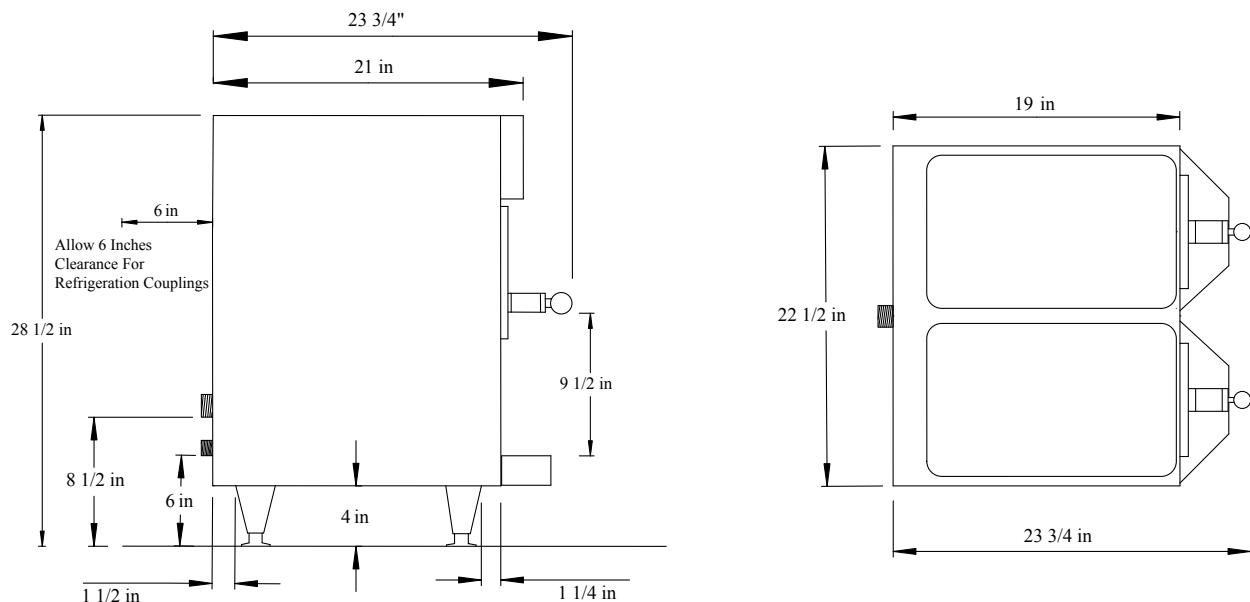
# Specifications

## Model 215R



<b>Dimensions:</b>	28 1/2 in (62 cm) x 22.5 in (57 cm) x 21 in (53 cm)
<b>Weight:</b>	168 lbs (80 kg)
<b>Legs:</b>	4 in (10 cm)
<b>Shipping Size:</b>	27 in (W) x 27 in (D) x 32 in (H) 69 cm (W) x 69 cm (D) x 81 cm (H)
<b>Shipping Volume:</b>	13 cu ft (1/3 cu m)
<b>Shipping Weight:</b>	175 lbs (84 kg)
<b>Voltage:</b>	115 - Optional 230
<b>Hertz:</b>	60 hz - Optional 50 hz
<b>Phase:</b>	1
<b>Cooling:</b>	Remote
<b>Air Clearance:</b>	Sides: None Required Rear: 6 in
<b>Hopper Capacity:</b>	12 qts (11 1/4 ltr)
<b>Cylinder Capacity:</b>	7 qts (6 1/2 ltr)
<b>Amperage Draw:</b>	15 amps
<b>Circuit Breaker:</b>	20 amps
<b>Plug Configuration:</b>	125 v - 20 amp NEMA 5-20
<b>Condensing Unit:</b>	See spec sheet
<b>Refrigerant:</b>	R404A

  Due to continuous research specifications are subject to change without notice.



# Remote Condensing Unit



<b>Dimensions:</b>	19 in (48 cm) x 34 in (86.5 cm) x 25.5 in (65 cm)
<b>Weight:</b>	210 lbs (95kg)
<b>Shipping Size:</b>	31 in (W) x 36 in (L) x 23 in (H) 79 cm (W) x 91 cm (L) x 58 cm (H)
<b>Shipping Volume:</b>	15.5 cu ft (1/2 cu m)
<b>Shipping Weight:</b>	217 lbs (98 kg)
<b>Voltage:</b>	208 - 230
<b>Hertz:</b>	60 hz - Optional 50 hz
<b>Phase:</b>	1 - Optional 3
<b>Cooling:</b>	Air Cooled - Optional Water
<b>Air Clearance:</b>	Intake: 8 in (20 cm) Exhaust: 60 in (152 cm)
<b>Amperage Draw:</b>	22 amps (12 at 3 ph)
<b>Circuit Breaker:</b>	30 amps minimum
<b>Compressor:</b>	3 hp
<b>Refrigerant:</b>	R404A



Due to continuous research specifications are subject to change without notice.

