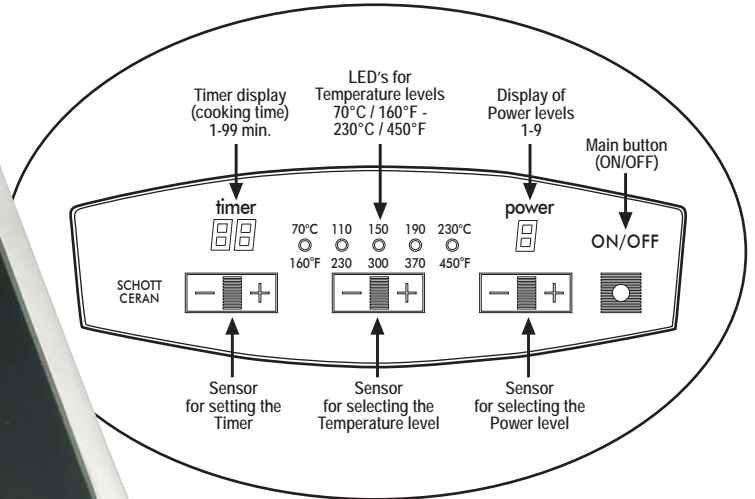




Buffet Induction Hot Plate

Immediate Heat and Pot Recognition!



Made in Germany

BIR-1C: Buffet Induction Hot Plate

FEATURES

- No preheat - immediate power / fast heat off
- Pot recognition: Heats only within pot/pan circumference for maximum energy efficiency
- Requires flat-bottomed pot/pan made of cast iron, enameled steel, or stainless steel. (Check with magnet)
- Handles pot/pans with 3-5/32" – 10-1/4" diameter
- SCHOTT CERAN® glass-ceramic cooking surface
- Brushed stainless steel housing
- Contemporary styling with low silhouette for countertop buffet use
- Controls have audible acknowledgement signals
- Electronic controls
- Control cooking with power level OR temperature level
- Temperatures from 160°F - 450°F
- 1-99 minute timer
- Power light
- "Residual heat" safety light over 160°F
- 3 prong commercial cordset
- ETL Listed
- Freight Class 200
- One year limited warranty

Model	Color	Volts	Watts	Amps	Unit Dimensions	Unit Wt.	Ship Wt.	Carton Dimensions	Cube	UPC#
BIR-1C	Stainless	120	1400	11.7	w:15", h:4 1/4", d:25 1/2"	5.8 lbs.	9 lbs.	w:15 1/4", h:4 1/2", d:18 3/8"	0.73	654796-66002-5

For more information, please contact Cadco, Ltd, 200 International Way, Winsted, CT 06098
 Tel. (860)738-2500 • Fax (860) 738-9772 • E-mail: info@cadco-ltd.com • Web site: cadco-ltd.com