



GW-100 / GL-C
120V / 208/230V

Chemical Sanitizing
Undercounter Glasswasher

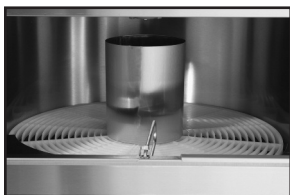


FEATURES:

- Cleans and sanitizes up to 1000 2-1/2" glasses per hour.
- Hands-free glass activated on/off stop is safe and convenient.
- Independent upper and lower wash and rinse arms ensure superior results.
- 120V (GW-100) with built-in 1.5kW electric tank heater maintains the recirculated wash water to the recommended 140°F wash temperature.
- 208-230V (GL-C) with built-in 3kW electric tank heater maintains the recirculated wash water to the recommended 140°F wash temperature.
- Compatible with both Iodine and Chlorine Sanitizers.
- Simple controls for operation and cleaning.
- All stainless steel construction assures trouble free service and a long life.
- Optional rinse temperature allows flexible sanitizing options.
- Poly Pro™ circular conveyor is extremely durable and reduces chipping and breakage of glassware.
- Double wall construction for quiet back bar operation.
- Internal chemical storage.
- Built-in chemical pumps with primer switches.



**GW-100 AND GL-C
INCLUDES DRAIN TRAY AND
WASTE COLLECTOR**



Stainless steel wash/rinse chamber.



Independent spray arms blast water from the top and bottom for optimum cleaning, sanitizing and rinsing.

**CMA
MIZER®**
Registered Trademark



Intertek
3090590

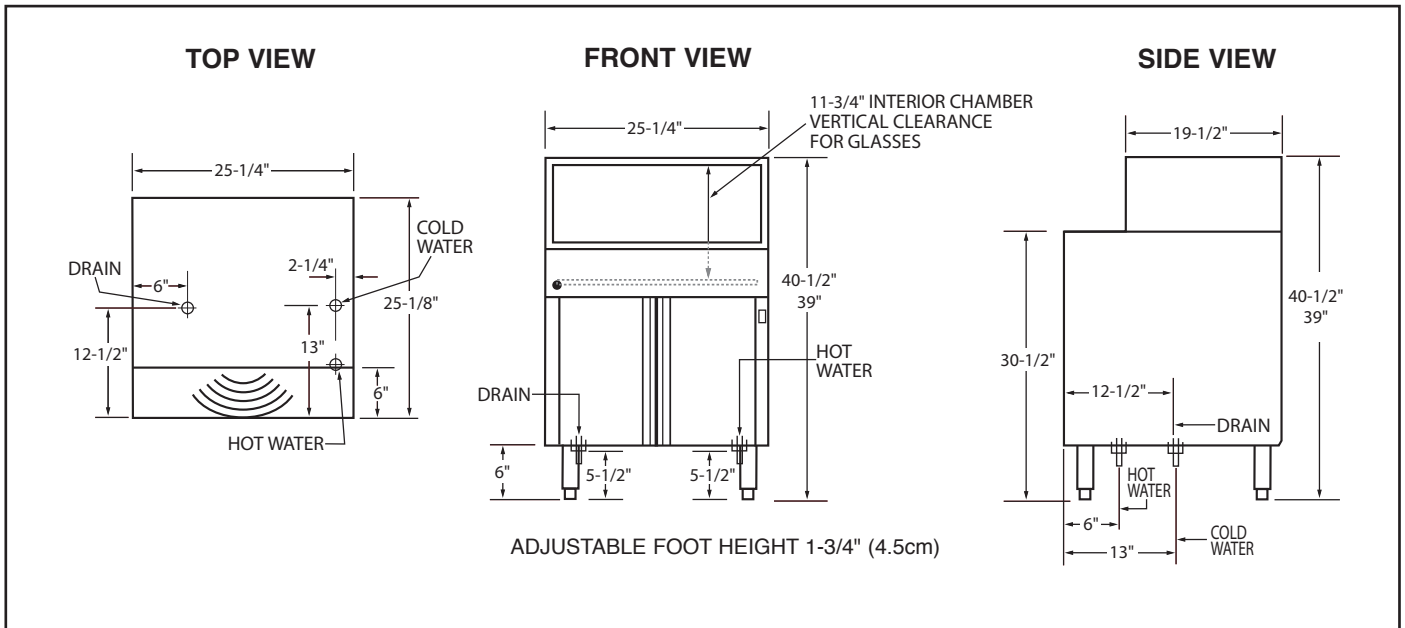


Intertek
3090590



GW-100 / GL-C
120V / 208/230V
 Chemical Sanitizing
 Undercounter Glasswasher

WARNING: Plumbing connections must be made by a qualified service company who will comply with all available Federal, State, and Local Health, Plumbing and Safety codes.



Specifications:

MODEL GW-100 AND MODEL GL-C	USA	METRIC		USA	METRIC
OPERATING CAPACITY (2-1/2") GLASSES PER HOUR	1000	1000	DIMENSIONS DEPTH WIDTH HEIGHT MAXIMUM CLEARANCE FOR GLASSWARE	25-1/8"	(63.8cm)
OPERATING TEMPERATURES INLET WATER. (HOT) RECOMMENDED INLET WATER. (COLD)	140°F 75°F	(60°C) (24°C)		25-1/4"	(64.1cm)
WATER CONSUMPTION HOT WATER (INITIAL FILL) HOT WATER PER HOUR (MAX) COLD WATER PER MINUTE (APPROX)	3 GAL 12 GAL 2.8 GPM	(11.25 L) (45.42 L) (10.6 LPM)		39"-40-1/2"	(99-102.8cm)
WATER REQUIREMENTS HOT WATER INLET COLD WATER INLET DRAIN (MAX)	1/2" 1/2" 1-1/2"	(1.27cm) (1.27cm) (3.81cm)	ELECTRICAL RATING GW-100 GL-C	11-3/4" 120/60/1 208-230/60/1	(29.84cm) 14.4 14.8-14.6
			TANK HEATER - GW-100 TANK HEATER - GL-C		1.5kW 3kW
			SHIPPING WEIGHT APPROXIMATE	156#	(71kg)

Summary Specifications: Model GW-100 (120V) and Model GL-C (208/230)

The **GW-100** and the **GL-C** glasswashers are designed to produce sparkling clean glassware utilizing separate detergent, sanitizer and rinse aid chemical pumps. Standard features include upper and lower wash/rinse arms, wash tank heater, Poly Pro™ conveyor, splash curtains, double-walled construction, and storage space for three 1-gallon containers. The **GW-100** and the **GL-C** are constructed for extended life out of stainless steel.



Intertek 3090590 Intertek 3090590