



**UC60e**  
High Temp Undercounter  
Dishwasher And  
Glasswasher



**FEATURES:**

- **Energy Star Qualified.**
- Total cycles 60/120/180/300 seconds
- 50/30/20/12 racks/hour.
- Fully automatic cycle for easy operation
- Built-in detergent and rinse chemical pumps.
- Pumped drain allows for multiple installation applications including elevated drains.
- Pumped rinse for constant pressure.
- Safety Temp feature assures 180°F sanitizing rinse every cycle.
- Built-in 6.53 kW booster heater
- 2.94 kW wash tank heater.
- Double skin stainless steel provides consistent heating and a quiet operation.
- Low 0.7 US gal. water usage per rack.
- Booster safety thermostat.
- Polished stainless steel surface and tanks with rounded corners for a total and easy cleaning.
- Operator friendly, removable stainless steel wash and rinse arms allows for easy cleaning.
- Triple filtering protection system, captures excess soil and debris.
- Solid state integrated controls with digital status indicators.



Built-in detergent and rinse chemical pumps.



Large 13-3/4" door clearance accommodates oversized plates, glasses and utensils.



Top mounted controls are easy to read and simple to operate.



Upper and lower wash and rinse arms guarantee excellent results.

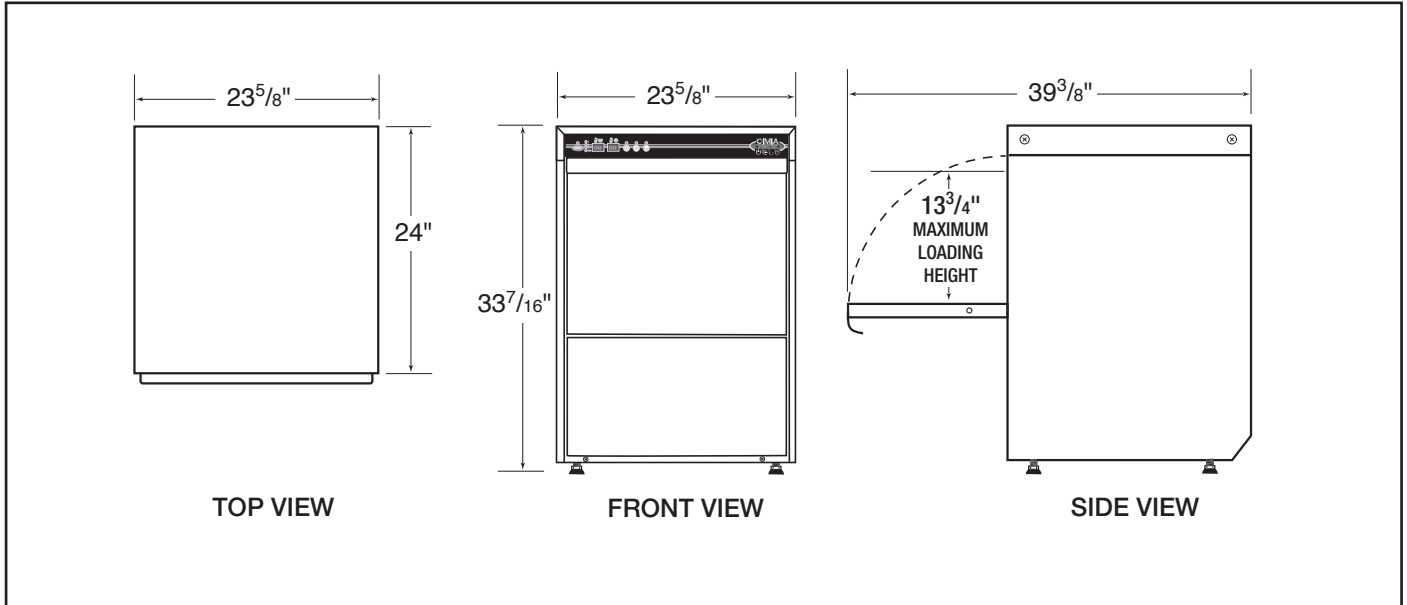




# UC60e

High Temp Undercounter Dishwasher And Glasswasher

**WARNING:** Plumbing connections must be made by a qualified service company who will comply with all available Federal, State, and Local Health, Plumbing and Safety codes.



**Specifications:**

MODEL UC60e	USA	METRIC		USA	METRIC
<b>WATER CONSUMPTION</b>			<b>FRAME DIMENSIONS</b>		
PER RACK	.7 GAL	(2.6L)	DEPTH	24"	(61 CM)
PER HOUR	48/21/14/9 GAL	(130/78/52/31L)	WIDTH	23-5/8"	(60 CM)
<b>OPERATING CYCLE</b>			HEIGHT	33-7/16"	(85 CM)
WASH TIME-SEC	40/100/160/280	40/100/160/180	MAXIMUM LOADING HEIGHT	13-3/4"	(35 CM)
RINSE TIME-SEC	15	15	<b>STANDARD DISHRACK DIMENSIONS</b>	1	1
DWELL-SEC	5	5		19-3/4"X19-3/4"	(50X50CM)
TOTAL CYCLE-SEC	60/120/180/300SEC	60/120/180/300SEC	<b>SHIPPING WEIGHT</b>	165#	75(KG)
<b>OPERATING CAPACITY</b>			<b>WASH PUMP MOTORS HP</b>	3/4HP	650W
RACKS PER HOUR	50/30/20/12	50/30/20/12	<b>HEATERS</b>		
WASH TANK CAPCITY	6.87 GAL	(26L)	WASH TEMP HEATER	2.7kW / 12.94kW	
<b>WATER REQUIREMENTS</b>			BOOSTER HEATER	6kW / 16.53kW	
WATER INLET	140°F	(60°C)	<b>ELECTRICAL RATING</b>	<b>VOLTS</b>	<b>PHASE</b>
DRAIN CONNECTION	3/4"			220-240 ± 6%	1
RINSE PRESSURE SET	1"			TOLERANCE TESTED	<b>AMPS</b>
<b>CYCLE TEMPERATURES</b>					30
WASH-°F	155°F-160°F	(68°C/71°C)			
RINSE-°F	180°F-195°F	(82°C/90°C)			

**Summary Specifications:**

The UC60e dishwasher and glasswasher is a front loading machine designed to produce sparkling clean glasses and dishes. Constructed of double walled stainless steel skin providing constant heating and a quiet operation. Standard features include upper and lower wash/rinse arms and wash and booster tank heater. Features include 13-3/4" door opening clearance, standard liquid detergent rinse-aid dispenser.

**KROMO BRANDS**

Distributed exclusively by CMA Dishmachines



CMA Dishmachines 12700 Knott Street Garden Grove, CA 92841 • 800-854-6417 • 714-898-8781 • Fax: 714-895-2141 • www.cmadishmachines.com

CMA reserves the right to modify specifications or discontinue models without prior notification.

Printed in the U.S.A.

© 2011 CMA, Inc.