

**Product Specifications**

**Refrigerated Self-Service Under Counter Case**

- CO33R-UC-E3
- CO43R-UC-E3
- CO53R-UC-E3
- CO63R-UC-E3

Lengths include end panels  
 36-1/4"L x 32-3/8"D x 32-3/4"H  
 47-1/4"L x 32-3/8"D x 32-3/4"H  
 59-1/4"L x 32-3/8"D x 32-3/4"H  
 71-1/4"L x 32-3/8"D x 32-3/4"H



MODEL SHOWN: CO43R-UC-E3

NOTE: SHOWN BEHIND CUSTOMER SUPPLIED COUNTER



**STANDARD FEATURES**

- Breeze~E (Type-II) w/ EnergyWise s/c refrigeration (rear access)
- Casters (non-locking) w/ levelers
- Compressor air rear intake, front discharge at toe kick. Front and rear panels cannot be blocked. Must remain 4" from wall
- Condensate pan (self-contained refrig. only)
- Flat front panel
- Integrated average product temperature of 40°F or less
- LED 3500K top light(s)
- One year parts & labor; 5 year compressor warranty
- Removable deck pans provide complete access to evaporator coil & refrigeration connections
- Toe kick, black

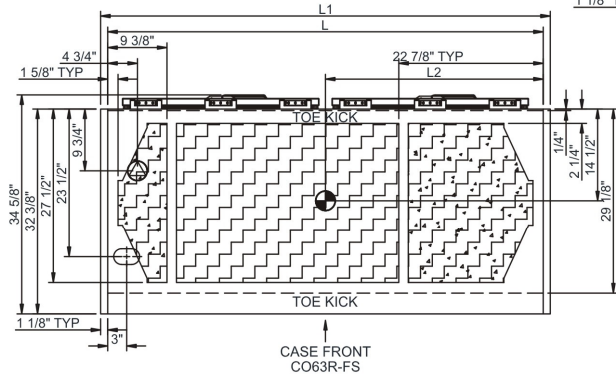
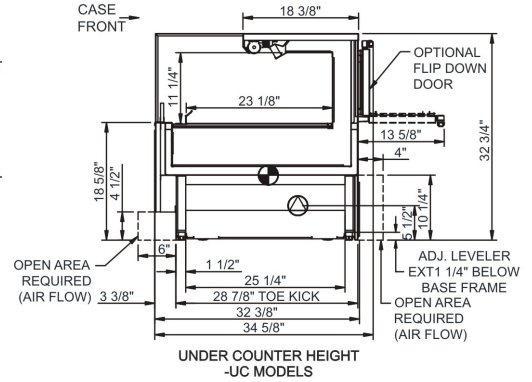
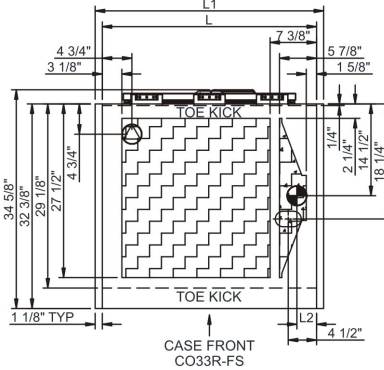
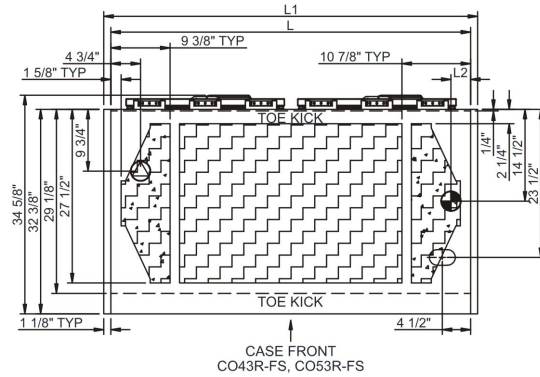
Features	Standard	Options
<b>MODEL CONFIGURATION</b>	<input type="checkbox"/> Undercounter height (-UC) Undercounter ht. 32-3/4"H; front panel extends over end panels to blend w/adj. counters (supplied by others). Counter surface (supplied by others) extends over top of unit	
<b>EXTERIOR COLOR</b>	<input type="checkbox"/> Black	
<b>INTERIOR COLOR</b>	<input type="checkbox"/> Black interior	
<b>END PANEL LEFT</b>	<input type="checkbox"/> Square full end panel w/mirror	
<b>END PANEL RIGHT</b>	<input type="checkbox"/> Square full end panel w/mirror	
<b>EXTERIOR BACK PANEL</b>	<input type="checkbox"/> Solid back panel, black	
<b>ELECTRICAL CONNECT</b>	<input type="checkbox"/> 6' straight blade power cord (self-cont.)	
<b>REFRIGERATION</b>	<input type="checkbox"/> Breeze~E (Type-II) w/ EnergyWise s/c refrigeration (rear access)	
<b>MISCELLANEOUS</b>		<input type="checkbox"/> Second year parts & labor warranty (excludes compressor)

## Product Specifications

<b>Intended Environment:</b> Type II - Designed to operate in ambient conditions of 80°F and 60% relative humidity unless noted otherwise in system information below.		
<b>Zone</b>	<b>Intended Product To Be Displayed</b>	<b>Warmest Avg Prod Temp ° F</b>
1	Packaged refrigerated products	40

**PLAN VIEW**

**SIDE VIEW**



**NOTE: ALL DIMENSIONS APPROXIMATE**

- ELECTRICAL JUNCTION BOX (SUPPLIED WITH 6" LEADS OR POWER CORD).
- REMOTE FLOOR SINK & UTILITIES ACCESS AREA.
- LOCATION OF DRAIN TUBE FOR REMOTE REF. ONLY (SUPPLIED WITH 3/4" OR 1 1/2" PVC TUBE).
- SELF-CONTAINED CASE SERVICE ACCESS AREA.
- REFRIGERATION LINE CONNECTION.
- DRY CASE SERVICE ACCESS AREA.

**Model Technical Specifications**

Model	L"	L1"	L2"	System Circuit Volts		Phs	Freq	Amps ***	Watts	Wires	NEMA Plug	SST	Conv. Rack BTUH	Para. Rack BTUH	Est Wt	
CO33R-UC-E3	N/A	36.25	3.13	Remote(Type I)	Circuit #1	110-120	1	60	1.12	36	2+G	Leads Multiple	20.00	1426	1320	650
				Remote(Type II)	Circuit #1	110-120	1	60	1.12	42	2+G	Leads Multiple	20.00	1706	1580	
				Self-Contained	Circuit #1	110-120	1	60	11.98	1,050	2+G	5-15P or L5-15P	N/A	N/A	N/A	
CO43R-UC-E3	N/A	47.25	3.13	Remote(Type I)	Circuit #1	110-120	1	60	1.14	40	2+G	Leads Multiple	20.00	1620	1500	700
				Remote(Type II)	Circuit #1	110-120	1	60	1.14	40	2+G	Leads Multiple	20.00	1922	1780	
				Self-Contained	Circuit #1	110-120	1	60	12.00	1,053	2+G	5-15P or L5-15P	N/A	N/A	N/A	
CO53R-UC-E3	N/A	59.25	3.13	Remote(Type I)	Circuit #1	110-120	1	60	1.22	52	2+G	Leads Multiple	20.00	2052	1900	750
				Remote(Type II)	Circuit #1	110-120	1	60	1.22	52	2+G	Leads Multiple	20.00	2419	2240	
				Self-Contained	Circuit #1	110-120	1	60	15.56	1,318	2+G	5-20P or L5-20P	N/A	N/A	N/A	
CO63R-UC-E3	N/A	71.25	34.50	Remote(Type I)	Circuit #1	110-120	1	60	1.56	75	2+G	Leads Multiple	20.00	2527	2340	850
				Remote(Type II)	Circuit #1	110-120	1	60	1.56	75	2+G	Leads Multiple	20.00	2981	2760	
				Self-Contained	Circuit #1	110-120	1	60	16.00	1,355	2+G	5-20P or L5-20P	N/A	N/A	N/A	

\*\*\* Does not include electric defrost on freezer models.

**Regulatory Approvals:**

All Models	Accordance with AHRI Std 1200 ETL Listed to UL 471 ETL Listed to CAN/CSA 22.2 No. 120 ETL Sanitation to NSF 7
------------	--



In Accordance with  
**AHRI Std 1200**

**DOE 2017**  
Energy Efficiency  
Compliant

**Important Notes:**

- ELECTRICAL NOTE: If GFCI is required, a GFCI breaker MUST be used in lieu of a GFCI receptacle
- 33" Minimum entry door clearance required (w/out shipping skid)
- Performance issues (product temperatures, water on floor, etc.) caused by adverse conditions are not covered by warranty.
- Keep unit at least 15' from exterior doors, overhead HVAC vents, or any air curtain disruption.
- Do not expose unit to direct sunlight or any heat source (ovens, fryers, etc.).

**⚠ WARNING:** This product can expose you to chemicals, including Urethane (Ethyl Carbamate), which are known to the State of California to cause cancer and birth defects or other reproductive harm. For more information go to [www.P65Warnings.ca.gov](http://www.P65Warnings.ca.gov).